

UTTERMOST

ASSEMBLY INSTRUCTIONS

ITEM.: 22926

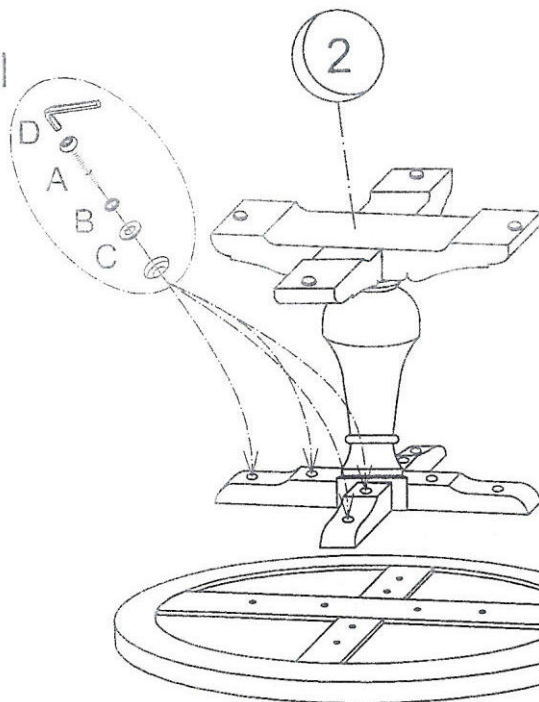
PART LIST

NO.	DESCRIPTION	QTY
1	TOP	1 PC
2	BASE	1 PC

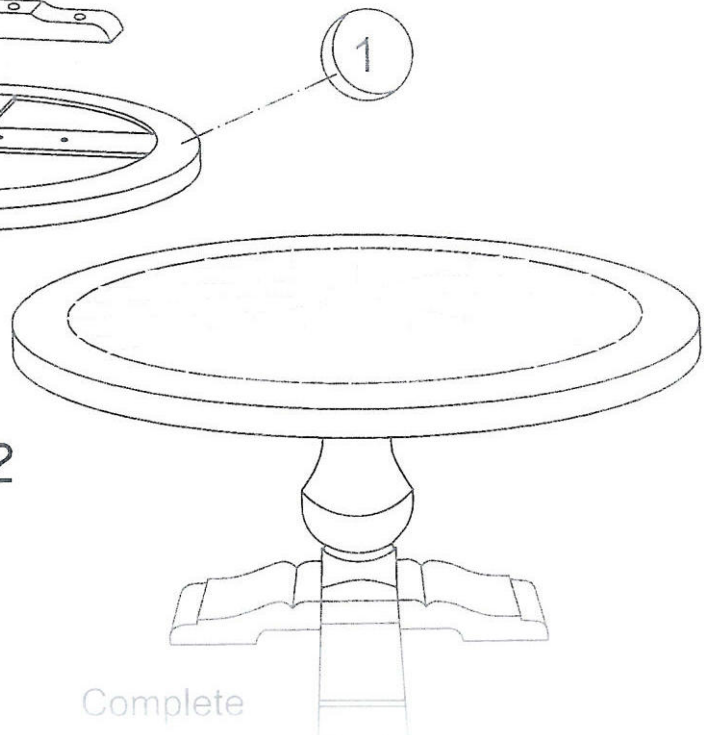
HARDWARE

ITEM	PART NAME	QTY
A	Bolt M8x45mm	8 pcs
B	Lock washer	8 pcs
C	Flat washer	8 pcs
D	Allen wrench	1 pc

STEP 1



STEP 2



Complete