

JENNAIR® PRO-STYLE® GAS
CONVECTION RANGES
CUISINIÈRE AU GAZ À CONVECTION
PRO-STYLE® DE JENNAIR®

Use & Care Guide

For questions about features, operation/performance, parts, accessories, or service in the U.S.A., call
1-800-JENNAIR (1-800-536-6247) or visit our website at **www.jennair.com**.
In Canada, call **1-800-JENNAIR (1-800-536-6247)** or visit our website at **www.jennair.ca**.

Guide d'utilisation et d'entretien

Pour des questions à propos des caractéristiques, du fonctionnement/rendement, des pièces, accessoires ou service aux É.-U.,
composer le **1 800 JENNAIR (1 800 536-6247)** ou visiter le **www.jennair.com**.
Au Canada, composer le **1 800 JENNAIR (1 800 536-6247)** ou visiter le **www.jennair.ca**.



Table of Contents

















SAFETY INFORMATION	3
 The Anti-Tip Bracket	4
PARTS AND FEATURES	6
 Range	6
Oven Interior	7
Control Knobs	7
COOKTOP FEATURES	12
 Burners	12
Grill	13
Chrome Electric Griddle	14
USING YOUR OVEN	15
 Oven Control Knobs	15
Indicator Lights	15
Oven Use	18
Cooking Modes	20
Special Modes	24
CARE AND CLEANING	25
 Cooktop Surface	25
Sealed Surface Burners	25
Porcelain-Coated Grates and Caps	26
Grill	26
Griddle	27
Cooktop Controls	28
Stainless Steel	28
Door Exterior	29
Door Interior	29
Oven Racks	29
Oven Cavity	29
Self-Cleaning the Oven	30
Oven Lights	32
TROUBLESHOOTING	33
	
ASSISTANCE OR SERVICE	35
	
ACCESSORIES	35
	

Table de matières

INFORMATIONS DE SÉCURITÉ	36
 La bride antibasculamen	37
PIÈCES ET CARACTÉRISTIQUES	39
 Cuisinière	39
Intérieur du four	40
Boutons de commande	40
CARACTÉRISTIQUES DE LA TABLE DE CUISSON	46
 Brûleurs	46
Gril	47
Plaque à frire chromée	48
UTILISATION DU FOUR	49
 Boutons de commande du four	49
Témoins lumineux	50
Utilisation du four	53
Modes de cuisson	55
Modes spéciaux	59
ENTRETIEN ET NETTOYAGE	60
 Surface de la table de cuisson	60
Brûleurs de surface scellés	60
Grilles et chapeaux émaillés	61
Gril	61
Plaque à frire	62
Commandes de la table de cuisson	63
Acier inoxydable	64
Extérieure de la porte	64
Intérieur de la porte	64
Grilles du four	64
Cavité du four	64
Autonettoyage du four	65
Lampes du four	67
DÉPANNAGE	68
	
ASSISTANCE OU SERVICE	71
	
ACCESSOIRES	71
	

**Your safety and the safety of others are very important.**

We have provided many important safety messages in this manual and on your appliance. Always read and obey all safety messages.



This is the safety alert symbol.

This symbol alerts you to potential hazards that can kill or hurt you and others.

All safety messages will follow the safety alert symbol and either the word “DANGER” or “WARNING.” These words mean:

⚠ DANGER

You can be killed or seriously injured if you don't immediately follow instructions.

⚠ WARNING

You can be killed or seriously injured if you don't follow instructions.

All safety messages will tell you what the potential hazard is, tell you how to reduce the chance of injury, and tell you what can happen if the instructions are not followed.

WARNING: If the information in these instructions is not followed exactly, a fire or explosion may result causing property damage, personal injury or death.

- Do not store or use gasoline or other flammable vapors and liquids in the vicinity of this or any other appliance.
- **WHAT TO DO IF YOU SMELL GAS:**
 - Do not try to light any appliance.
 - Do not touch any electrical switch.
 - Do not use any phone in your building.
 - Immediately call your gas supplier from a neighbor's phone. Follow the gas supplier's instructions.
 - If you cannot reach your gas supplier, call the fire department.
- Installation and service must be performed by a qualified installer, service agency or the gas supplier.

WARNING: Gas leaks cannot always be detected by smell.

Gas suppliers recommend that you use a gas detector approved by UL or CSA.

For more information, contact your gas supplier.

If a gas leak is detected, follow the “What to do if you smell gas” instructions.



SAFETY INFORMATION

THE ANTI-TIP BRACKET

The range will not tip during normal use. However, the range can tip if you apply too much force or weight to the open door without the anti-tip bracket fastened down properly.



⚠️ WARNING

Tip Over Hazard

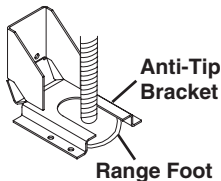
A child or adult can tip the range and be killed.

Verify the anti-tip bracket has been properly installed and engaged per installation instructions.

Re-engage the anti-tip bracket if the range is moved.

Do not operate range without anti-tip bracket installed and engaged.

Failure to follow these instructions can result in death or serious burns to children and adults.



To verify the anti-tip bracket is installed and engaged:

- Slide range forward.
- Look for the anti-tip bracket securely attached to floor or wall.
- Slide range back so rear range foot is under anti-tip bracket.
- See installation instructions for details.

IMPORTANT SAFETY INSTRUCTIONS

WARNING: To reduce the risk of fire, electrical shock, injury to persons, or damage when using the range, follow basic precautions, including the following:

- **WARNING:** TO REDUCE THE RISK OF TIPPING OF THE RANGE, THE RANGE MUST BE SECURED BY PROPERLY INSTALLED ANTI-TIP DEVICES. TO CHECK IF THE DEVICES ARE INSTALLED PROPERLY, SLIDE RANGE FORWARD, LOOK FOR ANTI-TIP BRACKET SECURELY ATTACHED TO FLOOR OR WALL, AND SLIDE RANGE BACK SO REAR RANGE FOOT IS UNDER ANTI-TIP BRACKET.
- **WARNING:** TO REDUCE THE RISK OF BURNS, DO NOT MOVE THE RANGE WHILE HOT. THIS RANGE IS PROVIDED WITH WHEELS TO FACILITATE MOVEMENT. TO REDUCE THE RISK OF INJURY DUE TO TIPPING OF THE APPLIANCE, VERIFY THE REINSTALLATION OF THE RANGE INTO THE ANTI-TIP DEVICE PROVIDED, AND EXTEND LEVELING FEET AFTER RETURNING THE RANGE TO THE ORIGINAL INSTALLED POSITION.
- **WARNING:** NEVER use this appliance as a space heater to heat or warm the room. Doing so may result in carbon monoxide poisoning and overheating of the oven.
- **WARNING:** NEVER cover any slots, holes or passages in the oven bottom or cover an entire rack with materials such as aluminum foil. Doing so blocks air flow through the oven and may cause carbon monoxide poisoning. Aluminum foil linings may also trap heat, causing a fire hazard.
- **CAUTION:** Do not store items of interest to children in cabinets above a range or on the backguard of a range – children climbing on the range to reach items could be seriously injured.
- Do Not Leave Children Alone – Children should not be left alone or unattended in area where the range is in use. They should never be allowed to sit or stand on any part of the range.

- Wear Proper Apparel – Loose-fitting or hanging garments should never be worn while using the range.
- User Servicing – Do not repair or replace any part of the range unless specifically recommended in the manual. All other servicing should be referred to a qualified technician.
- Storage in or on the Range – Flammable materials should not be stored in an oven or near surface units.
- Do Not Use Water on Grease Fires – Smother fire or flame or use dry chemical or foam-type extinguisher.
- Use Only Dry Potholders – Moist or damp potholders on hot surfaces may result in burns from steam. Do not let potholder touch hot heating elements. Do not use a towel or other bulky cloth.
- DO NOT TOUCH SURFACE UNITS OR AREAS NEAR UNITS – Surface units may be hot even though they are dark in color. Areas near surface units may become hot enough to cause burns. During and after use, do not touch, or let clothing or other flammable materials contact surface units or areas near units until they have had sufficient time to cool. Among those areas are the cooktop and surfaces facing the cooktop.
- Never Leave Surface Units Unattended at High Heat Settings – Boilover causes smoking and greasy spillovers that may ignite.
- Glazed Cooking Utensils – Only certain types of glass, glass/ceramic, ceramic, earthenware, or other glazed utensils are suitable for range-top service without breaking due to the sudden change in temperature.

SAVE THESE INSTRUCTIONS



IMPORTANT SAFETY INSTRUCTIONS

- Utensil Handles Should Be Turned Inward and Not Extend Over Adjacent Surface Units – To reduce the risk of burns, ignition of flammable materials, and spillage due to unintentional contact with the utensil, the handle of a utensil should be positioned so that it is turned inward, and does not extend over adjacent surface units.
 - Clean Cooktop With Caution – If a wet sponge or cloth is used to wipe spills on a hot cooking area, be careful to avoid steam burn. Some cleaners can produce noxious fumes if applied to a hot surface.
 - Use Care When Opening Door – Let hot air or steam escape before removing or replacing food.
 - Do Not Heat Unopened Food Containers – Build-up of pressure may cause container to burst and result in injury.
 - Keep Oven Vent Ducts Unobstructed.
 - Placement of Oven Racks – Always place oven racks in desired location while oven is cool. If rack must be moved while oven is hot, do not let potholder contact hot heating element in oven.
 - DO NOT TOUCH HEATING ELEMENTS OR INTERIOR SURFACES OF OVEN – Heating elements may be hot even though they are dark in color. Interior surfaces of an oven become hot enough to cause burns. During and after use, do not touch, or let clothing or other flammable materials contact heating elements or interior surfaces of oven until they have had sufficient time to cool. Other surfaces of the appliance may become hot enough to cause burns – among these surfaces are oven vent openings and surfaces near these openings, oven doors, and windows of oven doors.
 - Proper Installation – The range, when installed, must be electrically grounded in accordance with local codes or, in the absence of local codes, with the *National Electrical Code, ANSI/NFPA 70*. In Canada, the range must be electrically grounded in accordance with Canadian Electrical Code. Be sure the range is properly installed and grounded by a qualified technician.
 - Disconnect the electrical supply before servicing the appliance.
 - Injuries may result from the misuse of appliance doors or drawers such as stepping, leaning, or sitting on the doors or drawers.
 - Maintenance – Keep range area clear and free from combustible materials, gasoline, and other flammable vapors and liquids.
 - Top burner flame size should be adjusted so it does not extend beyond the edge of the cooking utensil.
- For self-cleaning ranges –**
- Do Not Clean Door Gasket – The door gasket is essential for a good seal. Care should be taken not to rub, damage, or move the gasket.
 - Do Not Use Oven Cleaners – No commercial oven cleaner or oven liner protective coating of any kind should be used in or around any part of the oven.
 - Clean Only Parts Listed in Manual.
 - Before Self-Cleaning the Oven – Remove broiler pan and other utensils. Wipe off all excessive spillage before initiating the cleaning cycle.
- For units with ventilating hood –**
- Clean Ventilating Hoods Frequently – Grease should not be allowed to accumulate on hood or filter.
 - When flambéing foods under the hood, turn the fan on.

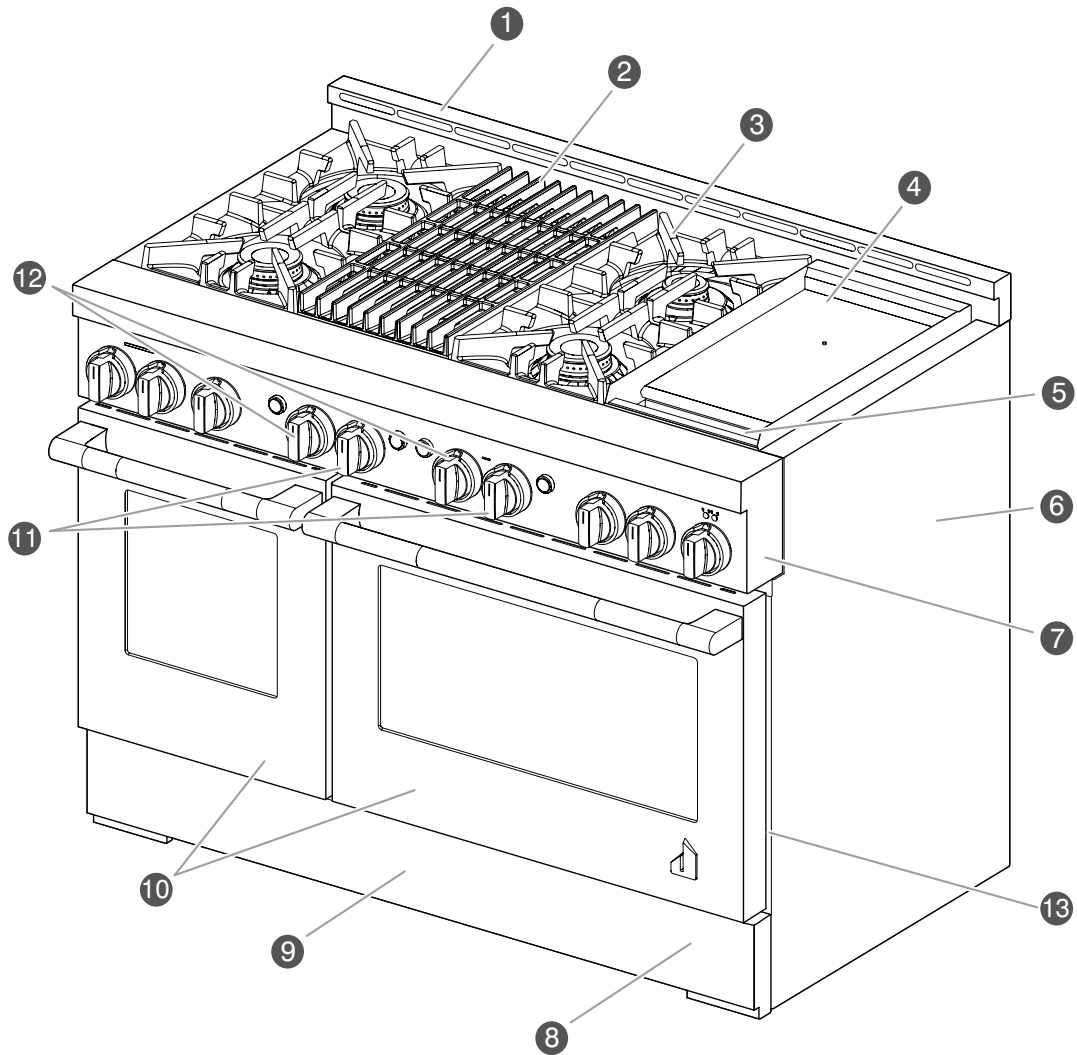
SAVE THESE INSTRUCTIONS



PARTS AND FEATURES

These instructions cover several different models. The range you have purchased may have some or all of the items listed. The locations and appearances of the features shown here may not match those of your model.

RANGE



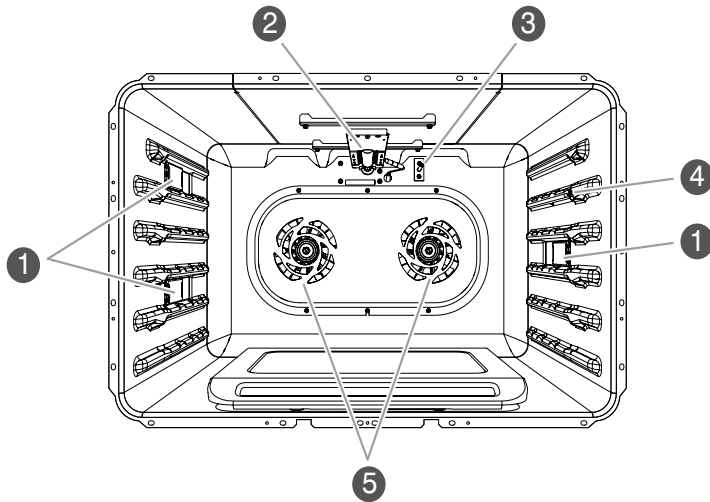
48" (121.9 cm) range shown*

- | | |
|--|--|
| 1 Backsplash/oven vent | 8 Leveling rods (behind kick plate) |
| 2 Grill (on some models) | 9 Lower panel/kick plate |
| 3 Cooktop grate | 10 Oven doors |
| 4 Electric griddle (on some models) | 11 Temperature knobs |
| 5 Drip tray (on griddle models) | 12 Mode knobs |
| 6 Side panels | 13 SAID label |
| 7 Console panel | |

*Cooktop configuration may differ.



OVEN INTERIOR



- 1 Halogen lights
- 2 Broil burner
- 3 Oven cavity sensor
- 4 Temperature probe jack
- 5 Convection fan(s)

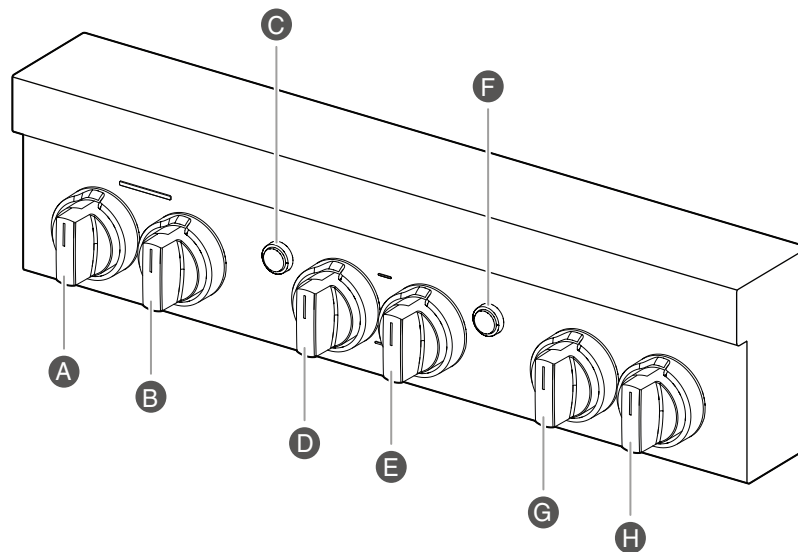
NOTE: Some models have an 18" (45.7 cm) cavity which contains one convection fan.

CONTROL KNOBS

The oven and cooktop features are accessed through the cooktop knobs.

30" (76.2 CM)

Cooktop Knobs and Buttons



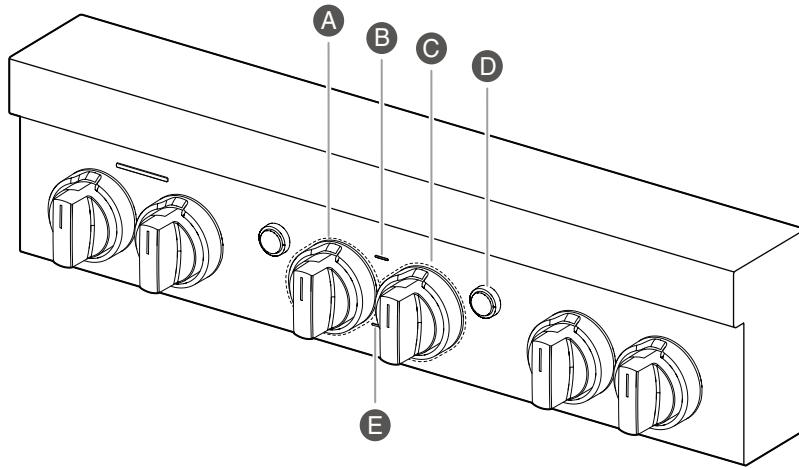
- A Left Rear Knob
- B Left Front Knob
- C Oven Light Button
- D Mode Knob
- E Temperature Knob
- F Oven Start Button
- G Right Rear Knob
- H Right Front Knob

NOTE: Cooktop configuration, features, and controls may differ.



PARTS AND FEATURES

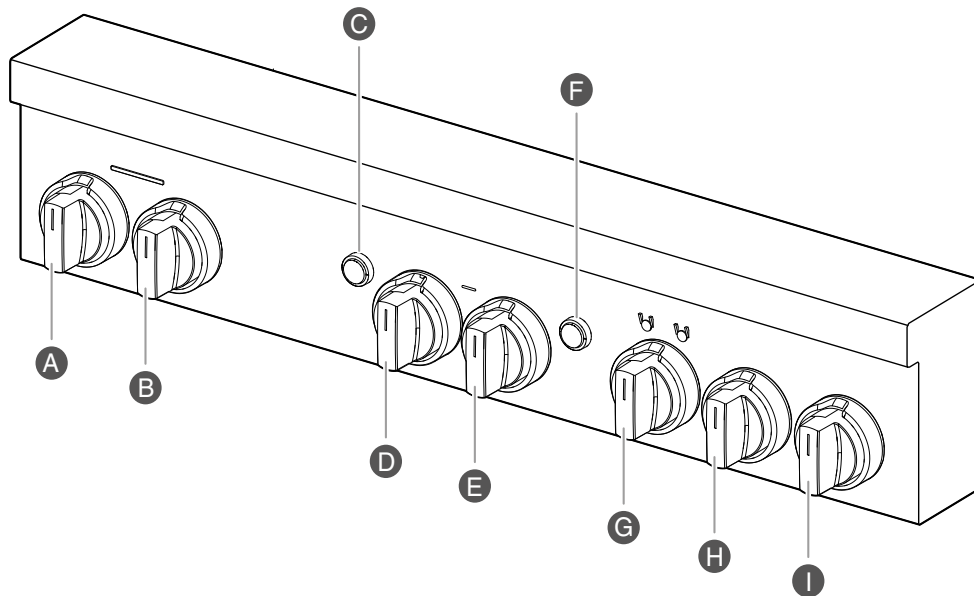
Indicator Lights



- A** Mode Knob Indicator Light
- B** Remote Indicator
- C** Temperature Knob Indicator Light
- D** Start Button Indicator Light
- E** Wi-Fi Indicator

36" (91.4 CM)

Cooktop Knobs and Buttons

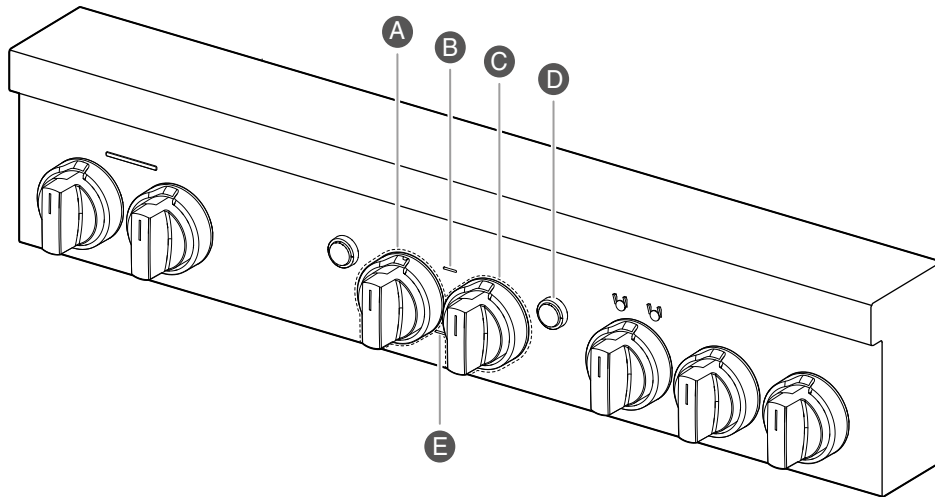


- A** Left Rear Knob
- B** Left Front Knob
- C** Oven Light Button
- D** Mode Knob
- E** Temperature Knob
- F** Oven Start Button
- G** Grill Knob
- H** Right Rear Knob
- I** Right Front Knob

NOTE: Cooktop configuration, features, and controls may differ.



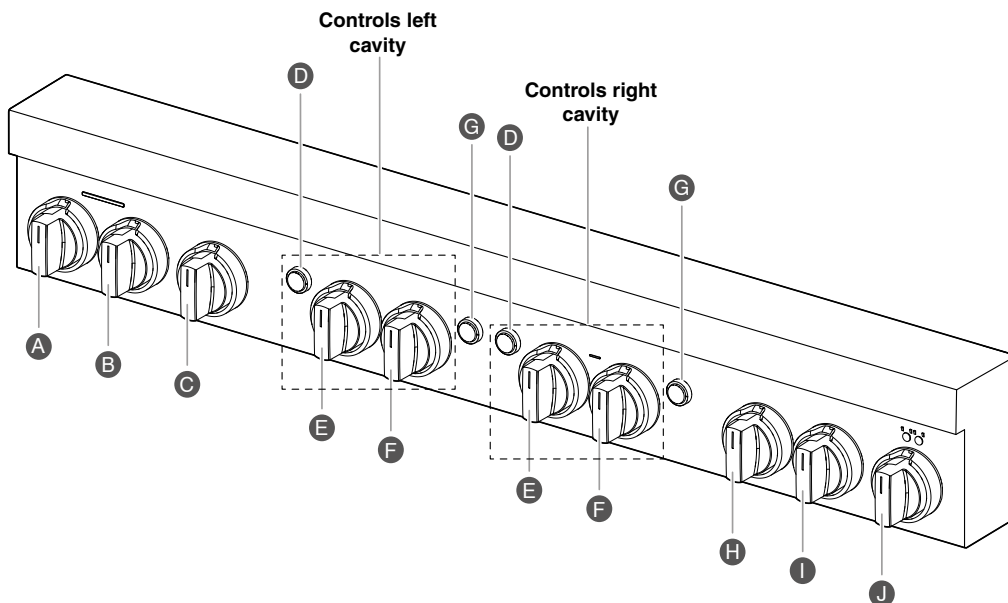
Indicator Lights



- A** Mode Knob Indicator Light
- B** Remote Indicator
- C** Temperature Knob Indicator Light
- D** Start Button Indicator Light
- E** Wi-Fi Indicator

48" (121.9 CM)

Cooktop Knobs and Buttons



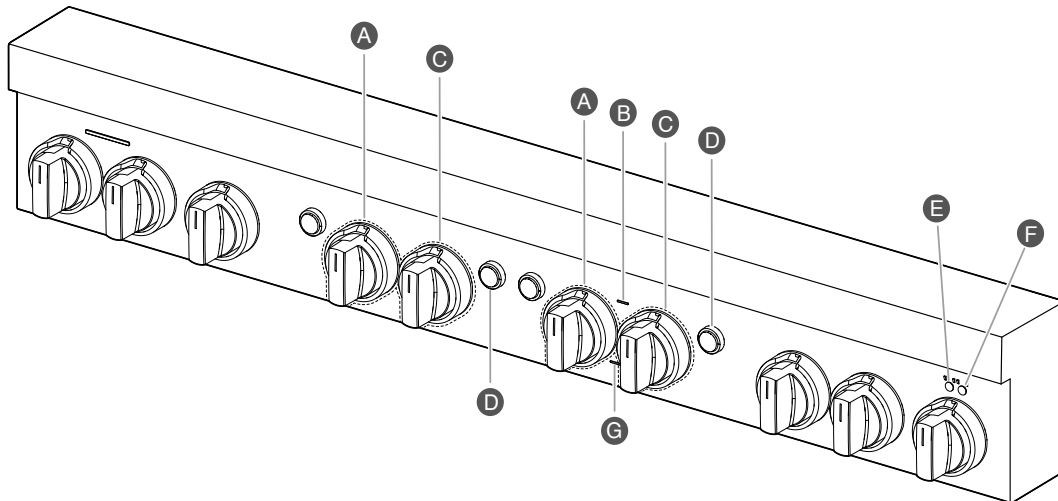
- A** Left Rear Knob
- B** Left Front Knob
- C** Grill Knob
- D** Oven Light Button
- E** Mode Knob
- F** Temperature Knob
- G** Oven Start Button
- H** Center Rear Knob
- I** Center Front Knob
- J** Griddle Knob

NOTE: Cooktop configuration, features, and controls may differ.



PARTS AND FEATURES

Indicator Lights



- A** Mode Knob Indicator Light
- B** Remote Indicator
- C** Temperature Knob Indicator Light
- D** Start Button Indicator Light
- E** Griddle Preheat Light
- F** Griddle Cooktop ON Light
- G** Wi-Fi Indicator

FEATURE	DESCRIPTION/BEHAVIOR	INSTRUCTIONS
Mode Knob	<ul style="list-style-type: none"> ■ BAKE ■ CONVECT BAKE ■ CONVECT POULTRY (left cavity only) ■ CONVECT ROAST ■ CONVECT PASTRY ■ BROIL (right cavity only) ■ Wi-Fi ■ CLEAN 	Turn the knob to select the desired cooking mode. NOTE: When the unit is on, mode can be changed between Bake, Convection Bake, Convection Roast, and Broil/Convection Broil. Press the Start button to confirm mode change.
Mode Knob Indicator Light	<p>When a cooking mode is selected, and the Temperature Knob is in a valid position, the Temperature and Mode indicator lights will light white.</p> <p>When the Start button has been pressed, the knob indicator lights will continue to blink white until preheat has completed. The light will turn solid white and a tone will sound when preheat is complete.</p> <p>If there is no preheat for a cycle, the preheat completes immediately and the light turns solid white.</p> <p>NOTE: If an invalid mode and temperature combination have been selected, the knob lights will blink and a tone will sound prompting the user to select a valid combination. The indicator light will continue to blink and a tone will sound every 30 seconds until the error is fixed or timeout after 2 minutes of inactivity.</p>	

PARTS AND FEATURES



FEATURE	DESCRIPTION/BEHAVIOR	INSTRUCTIONS
Temperature Knob	<ul style="list-style-type: none"> ■ OFF ■ PROOF ■ KEEP WARM <p><Temperature Range></p> <ul style="list-style-type: none"> ■ BROIL LOW (right cavity only) ■ BROIL HIGH (right cavity only) ■ SLOW BAKE LOW (left cavity only) ■ SLOW BAKE HIGH (left cavity only) ■ Wi-Fi ■ CLEAN 	Turn the knob to select the desired cooking temperature or setting.
Temperature Knob Indicator Light	<p>When a temperature or setting is selected, and the mode is valid, the Temperature and Mode indicator lights will light white.</p> <p>When the Start button has been pressed, the knob indicator light will continue to blink white until preheat has completed. The light will turn solid white and a tone will sound when preheat is complete.</p> <p>If there is no preheat for a cycle, the preheat completes immediately and the light turns solid white.</p> <p>NOTE: If an invalid mode and temperature combination has been selected, the knob light will blink and a tone will sound prompting the user to select a valid combination. The indicator light will continue to blink and a tone will sound every 30 seconds until the error is fixed or timeout after 2 minutes of inactivity.</p> <p>The temperature knob will blink red if the oven is too hot to proof or if a 100+ degree decrease in temperature is in progress. I.e. changing from Bake 450°F to Bake 350°F (177°C to 232°C).</p>	
Start Button	Start an oven function once a valid mode and temperature have been selected.	<ol style="list-style-type: none"> 1. Choose an oven function by turning the Mode Knob and Temperature Knob to desired selections. <p>NOTE: The Start button will flash white to prompt the user to press the Start button.</p> <p>NOTE: When the unit is on, mode can be changed between Bake, Convection Bake, Convection Roast, and Broil/Convection Broil. Press the Start button to confirm mode change.</p> 2. Press the Start button to begin oven function.
Start Button Indicator Light	The Start button indicator light will flash white to prompt the user to press the Start button.	
Oven Light Button	Turn the oven light on and off.	Press the Oven Light button to toggle the light on and off. The button turns the light on and off regardless of whether the door is open.
Wi-Fi Indicator Light	The Wi-Fi indicator light illuminates white when the unit is Wi-Fi enabled.	All lights will turn off in Idle mode.
Remote Indicator Light	The Remote indicator light illuminates white when the unit is remote enabled.	All lights will turn off in Idle mode.
Griddle Cooktop ON Light	Right Griddle indicator light - The Griddle Cooktop On light illuminates blue when the griddle knob is powered on.	
Griddle Preheat Light	Left Griddle indicator light - The griddle Preheat light flashes blue while the griddle is preheating. Once preheat temperature has been reached, the indicator light turns solid blue.	



COOKTOP FEATURES

BURNERS

⚠ WARNING



Fire Hazard

Do not let the burner flame extend beyond the edge of the pan.

Turn off all controls when not cooking.

Failure to follow these instructions can result in death or fire.

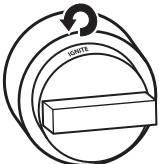

- Check that the burner knob is pressed completely down on the valve shaft. If the spark igniter still does not operate, call a trained repair specialist.
- When the burner knob for the desired burner is turned to the IGNITE position, the burner will click independent of the other burners.

REMEMBER: When range is in use or during the Self-Cleaning cycle, the entire cooktop area may become hot.

Flame-Sensing™ Reignition Feature

During cooktop use, if one or more burners are extinguished due to external causes (such as a water spill, wind, or ventilation draft), the ignition system will turn on to reignite the flame. When the flame comes back on, the system will stop sparking. If the draft in the room is not removed, occasional sparking may continue. Sparking may also occasionally occur when using the low setting on a burner.

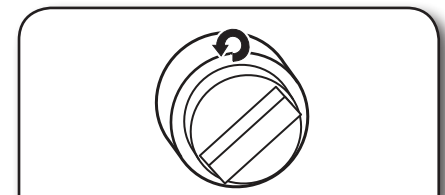
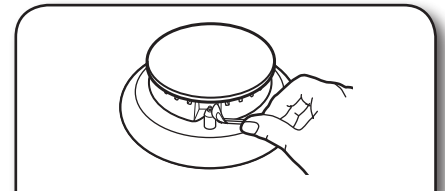
To Set a Burner:

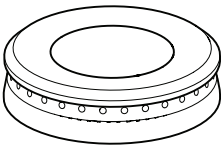
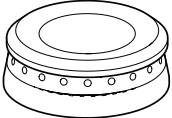
<p>1. Push in and turn counterclockwise</p>  <p style="text-align: center;">to IGNITE.</p>	<p>2. Turn knob counterclockwise</p>  <p style="text-align: center;">between Hi and Lo.</p>
--	--

Turn knob counterclockwise further for Simmer Hi and Simmer Lo.

In Case of Power Failure

Hold a lit match near a burner and turn knob counterclockwise to Hi. After burner lights, turn knob to desired setting.



BTU/hr	BURNER APPEARANCE	FEATURES
Large stacked burner		This burner has an upper and lower level of flame. The Hi setting uses both flame levels at full power to provide the highest heat. It is ideal for cooking large quantities of food or liquid and using large pots and pans. The Simmer Hi and Lo settings use the lower flame only.
Small burner		This burner is ideal for cooking smaller quantities of food and melting chocolate or butter.

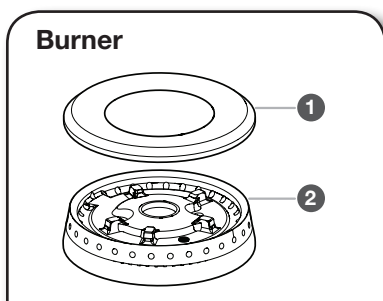
Igniting Burners:

- Electric igniters automatically light the surface burners when burner knobs are turned to IGNITE.
- Before setting a burner knob, place filled cookware on the grate. Do not operate a burner using empty cookware or without any cookware on the grate.
- Visually check that the burner has lit. If the burner does not ignite, listen for the clicking sound. If you do not hear the igniter click, turn off the burner. Check for a tripped circuit breaker or blown fuse.



SEALED SURFACE BURNERS

Sealed surface burners are designed to minimize gaps and seams that can allow liquids and spills to get under the cooktop. This design makes cleanup quick and easy.

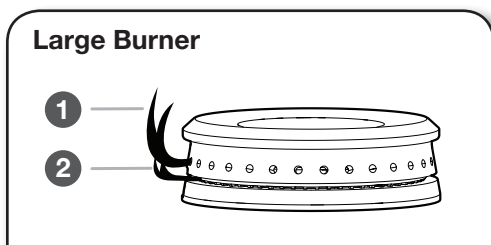


- 1 Burner cap
- 2 Burner base

IMPORTANT: Do not obstruct the flow of combustion and ventilation air around the burner grate edges.

Burner cap: Always keep the burner cap in place when using a surface burner. A clean burner cap will help avoid poor ignition and uneven flames. Always clean the burner cap after a spillover, and routinely remove and clean the caps according to the “Care and Cleaning” section.

Gas opening: Gas must flow freely throughout the gas opening for the burner to light properly. Keep this area free of soil and do not allow spills, food, cleaning agents, or any other material to enter the gas opening. Keep spillovers out of the gas opening by always using a burner cap.



- 1 Upper (main) flame
- 2 Lower (simmer) flame

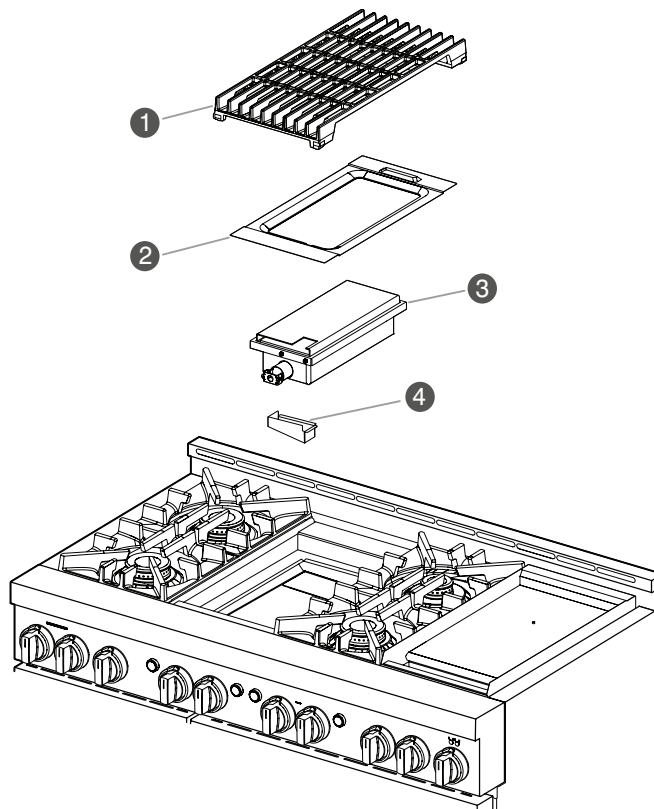
Burner Ports:

Check burner flames occasionally for proper size and shape as shown above. A good flame is blue in color, not yellow. Keep this area free of soil and do not allow spills, food, cleaning agents, or any other material to enter the burner ports.

GRILL (on some models)

The grill module consists of a cast-iron grate, a burner assembly, deflector and a drip tray.

NOTE: The burner assembly is not removable and should not be removed except by a qualified service technician.



- 1 Grate
- 2 Deflector
- 3 Burner assembly
- 4 Drip tray

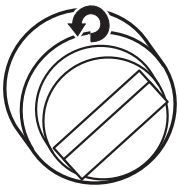

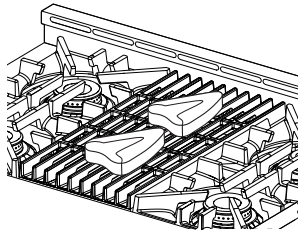
When using the grill, follow the guidelines below:

- Trim excess fat to reduce spattering. Slit the remaining fat on the edges to avoid curling.
- Allow space between food on the grill. Crowding food will result in uneven cooking.
- For most even results, center foods on the grate directly over the heat source.
- Use a metal spatula or tongs to turn food.
- For even cooking, foods such as chicken quarters should be turned several times.
- To check for doneness of meats and poultry, use an instant read thermometer or make a small cut in the center of the food.
- Do not leave the grill unattended while cooking.
- To avoid damage to the grill, do not use aluminum foil, charcoal or wood chips.
- To avoid damage to cookware, do not place cookware on the grill when in use. Food should be cooked directly on the grill grate.

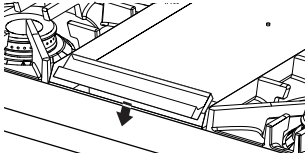

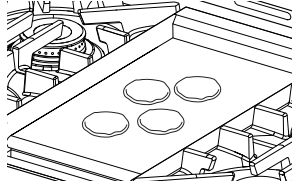


COOKTOP FEATURES

To Use:

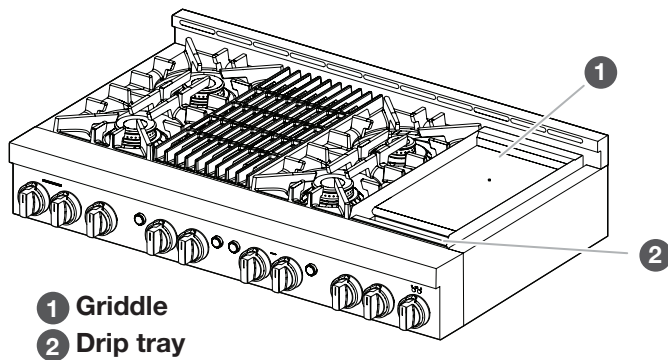
<p>1. Turn on overhead range hood.</p>	<p>3. Turn knob to ON</p>  <p>and allow grill to preheat.</p>
<p>2. Push in and turn knob</p>  <p>to IGNITE. The flame will ignite in 1-4 seconds.</p>	<p>4. Place food on grill.</p> 

To Use:

<p>1. Position drip tray.</p> 	<p>3. Wait for preheat light to solid indicating the griddle has reached preheat.</p>
<p>2. Push in and turn knob</p>  <p>to desired temperature.</p>	<p>4. Place food on the griddle</p>  <p>and cook to desired doneness.</p>

CHROME ELECTRIC GRIDDLE (on some models)

The chrome electric griddle provides the perfect cooking surface for grilled sandwiches, pancakes, eggs, burgers, sautéed vegetables, and many more family favorites. The attractive low-stick surface is designed to make cleanup easy.

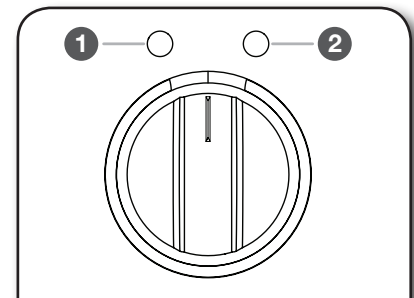


The chrome electric griddle system provides a convenient cooking surface.

- Be sure plastic film has been removed and wash with hot water before first use.
- To avoid scratching the griddle, do not place any pots or pans on the griddle. Use only heat-resistant plastic or wooden utensils.
- The griddle surface is ready to use and does not need to be seasoned.
- Pouring cold water on a hot griddle may warp the griddle, resulting in an uneven cooking surface.

The left griddle indicator light shows that there is power applied to the griddle.

The right griddle indicator light blinks to show that the griddle is preheating. When preheat is complete, the right griddle indicator lights solid.



- 1 Griddle Preheat Light
- 2 Griddle Cooktop ON Light

Cooking Chart

The settings and times are guidelines only and may need to be adjusted for individual tastes.

FOOD ITEM	TEMPERATURE	COOK TIME (IN MINUTES)
Toast/Pancakes	350°F (175°C)	4-10
Eggs	250°F (120°C)	7-10
Meats	350°F (175°C)	10-20
Potatoes	350-450°F (175-230°C)	10-20
Fish	250-350°F (120-175°C)	8-15



OVEN CONTROL KNOBS

To Use:

1. Select desired function on the Mode Knob.
2. Select desired temperature on the Temperature Knob.
3. To turn off the unit, the temperature knob needs to be turned to OFF.

Knob Combinations

The following tables show valid and invalid knob combinations for the temperature and mode knobs.

MODE KNOB	TEMPERATURE KNOB								
	PROOF	KEEP WARM	TEMP RANGE 107-260°C (225-500°F)	BROIL LOW	BROIL HIGH	SLOW BAKE L 93°C (200°F)	SLOW BAKE H 135°C (275°F)	CLEAN	Wi-Fi
Bake	Valid	Valid	Valid	Invalid	Invalid	Valid	Valid	Invalid	Invalid
Convect Bake	Invalid	Invalid	Valid	Invalid	Invalid	Valid	Valid	Invalid	Invalid
Convect Roast	Invalid	Invalid	Valid	Invalid	Invalid	Valid	Valid	Invalid	Invalid
Convect Pastry	Invalid	Invalid	Valid	Invalid	Invalid	Valid	Valid	Invalid	Invalid
Convect Poultry (18" cavity only)	Invalid	Invalid	Valid	N/A	N/A	Valid	Valid		
Broil/Convect Broil (30" & 36" cavity only)	Invalid	Invalid	Invalid	Valid	Valid	N/A	N/A	Invalid	Invalid
Self Clean	Invalid	Invalid	Invalid	Invalid	Invalid	Invalid	Invalid	Valid	Invalid
Wi-Fi	Invalid	Invalid	Invalid	Invalid	Invalid	Invalid	Invalid	Invalid	Valid

NOTE: When the unit is on, mode can be changed between Bake, Convect Bake, Convect Roast, Convect Pastry, Convect Poultry (left cavity only), and Broil (right cavity only). Press the Start button to confirm mode change.

INDICATOR LIGHTS

The indicator lights illuminate and blink to show the status of the unit.

BEHAVIOR	DESCRIPTION/EXAMPLES	EXAMPLES
Light Pulsing/Blinking	Light pulsing is used on the Mode Knob, Temperature Knob, and Start button as a way to prompt for action. When an action is prompted to be completed, the associated indicator light feature will blink. Examples: Occurrence: Prompt for action, press the START button Result: Start button indicator light quickly blinks Occurrence: 100°F (38°C) decrease in temperature required or oven too hot for Proof Result: Knob indicator lights will slowly blink until the oven is at the correct proof temperature	There are two types of pulsing: 1. Start Button Quick Blink: prompting for action. 2. Mode/Temperature Knob White slow blink: preheating Amber slow blink: unit is above target temperature. When a cycle requiring preheat starts, slow blink will begin. When preheat temperature has been reached, the blinking will stop and the mode/temp indicator lights will be solid.
Mode and Temperature Knob Indicator - Slow Blink	The Mode and Temperature knob indicators will slowly blink to indicate that the feature is in use.	A slow blink indicates that a feature is being used and no further action is required i.e. unit is preheating.
START Button - Invalid Selection (Quick Blink)	If an invalid knob combination has been chosen and the Start Button is pressed, the Start Button Indicator Light will quickly blink and a tone will sound to indicate that the chosen selection is invalid. See "Knob Combinations" table for examples.	Bake on the Mode Knob and Wi-Fi on the Temperature Knob.



USING YOUR OVEN

BEHAVIOR	DESCRIPTION/EXAMPLES	EXAMPLES
Temperature/Mode Knob - Invalid Selection (Quick Blink)	If an invalid knob combination has been chosen, the Mode Knob Indicator Light and Temperature Knob Indicator Light will quickly blink white. The indicator light will continue to quickly blink and a tone will sound every 30 seconds until the error is fixed or timeout after 2 minutes of inactivity. See “Knob Combinations” table for examples.	Bake on the Mode Knob and Wi-Fi on the Temperature Knob.
Prompt for Action - Inactivity (Quick Blink)	When a valid knob combination has been made, the Start button indicator light will quickly blink to prompt for the Start button to be pressed. If no action is taken after 2 minutes, a tone will sound and the unit will timeout and return to idle mode. To exit the unit from idle mode, reselect a Mode and Temperature Knob selection before pressing the Start button.	A quick blink indicates that a valid combination has been selected and is prompting for an action to be taken i.e. Mode is in Bake and temperature is at 350°F (177°C), but the Start button has not been pressed yet.
Validity Check Delay	The unit goes through a validity check to verify that the selected Mode and Temperature combination is valid. If a valid combination has been selected, the Mode/Temperature Knob indicator lights will show white and the Start button will begin to blink prompting for action. If an invalid combination has been selected, the knob indicator lights will blink to show that the selected Mode and Temperature combination is invalid.	Refer to “Knob Combinations” section for more information. If Start Button is pressed too quickly in the validity check, the Start Button indicator light will display an invalid quick blink.
Invalid Temperature Selection Made During A Cycle	If the Temperature Knob is changed during a cycle to a selection that is invalid and the unit was in a previous cycle, the unit will remain in the previous cycle until corrected. The knob indicator lights will blink to show an invalid selection has been made and will continue to light until corrected.	Mode is in bake, temp is at 350°F (177°C), Start button is pressed and cycle is running. Then temp is moved to clean. Unit will continue to bake at 350°F (177°C).
Changing Mode Selections During A Cycle	If the Mode Knob is changed during a cycle to a selection that is valid, the Start button will blink to indicate prompt for action. Press the Start Button to begin new Mode selection.	If the Mode Knob is moved from Bake to Convection Bake, the Start button will blink as a prompt for action.
Changing Temperature Selections During A Cycle	If the Temperature Knob is changed during a cycle to a selection that is valid, the temperature will automatically change.	If the temperature during a Bake cycle is moved from 350°F to 450°F (177°C to 232°C), the unit will bake at 450°F (232°C).

A tone will sound when:

- the unit is powered on
- the unit switches to Off mode
- a valid Mode and Temperature selection has been made and the Start button is pressed to begin a cycle
- an invalid Start button selection is made
- there is an error with the unit
- preheating has been completed
- the timer from the app has ended (the tone will sound every five minutes until the timer is stopped)
- a Wi-Fi event is occurring
- the Meat probe connects/disconnects.



Sabbath Mode

- Sabbath Mode is used to configure the oven system so that certain features and modes are disabled or deactivated.
- The Sabbath Mode sets the oven to remain ON in a bake setting until turned off.
- When a button is pressed, no tones will sound.
- All alerts and tones are disabled during Sabbath Mode. All lights stay in the mode of when Sabbath Mode was enabled. For example, if the oven light was on when the user enabled Sabbath Mode, the light would remain on during the entire Sabbath Mode period.
- When the oven door is opened or closed, the oven light will not turn on or off and the heating elements will not turn on or off immediately.
- If a power failure occurs when the Sabbath Mode is set, the oven will remain in Sabbath Mode but will no longer be actively cooking.
- The Sabbath Mode must be entered each time it is used.
- Sabbath Mode disables the 12-hour shutoff. All lights and displays are disabled so that no visible activity takes place when the oven door is opened.

To Enter Sabbath Mode:

- Turn the Mode knob(s) to the Bake position. The Temperature knob(s) stays in the OFF position.
NOTE: Valid only in the Bake mode position.
- Press the Start button seven times within ten seconds.
NOTE: If there are double ovens, both ovens will enter into Sabbath Mode.
- The Start button for both ovens will light until Sabbath Mode is exited.

Using Sabbath Bake Mode:

- Bake mode is the only mode valid for Sabbath Mode. Select the desired temperature for each available oven and press the Start button.
NOTE: The temperature can be changed while in Sabbath Mode.
- If Sabbath Bake mode is disabled in one oven, the other oven will still remain Sabbath enabled.
- Once an oven has been disabled by turning the temperature knob to OFF, it cannot be turned back on.
NOTE: Before utilizing Sabbath Mode after successfully connecting to Wi-Fi, verify the app is turned off.

To Exit Sabbath Mode:

- Turn either Temperature knob to the OFF position. The Mode knob stays in the BAKE position.
- Press the Start button seven times within ten seconds. Within a few seconds, the Start light indicators will turn off.
- If you exit Sabbath Mode in one oven, the other oven will also exit Sabbath Mode.

Wi-Fi Connectivity and Remote Operation

Models are provided with a Wi-Fi module that allows the unit to be remotely operated. The control is capable of monitoring and performing the following remote operations once the remote enabling function sequence is properly initiated at the appliance. See the “Remote Enable” section for more information.

Press the Start button once your appliance is Remote Enabled.

Download the App

The first step to get your appliance connected is to download the app on your mobile device. The app will be your guide and walk you through all of the steps. Download the app by visiting iTunes® or Google Play®†.

To connect your appliance:

1. Download the JennAir® app from Google Play® or iTunes®.
2. Follow the prompts in the app to create an account.

Add Appliance

1. Turn the Mode Knob and Temperature Knob to the Wi-Fi position.
2. Look for the SAID code on your appliance. The SAID can be scanned or manually added.
NOTE: The SAID label is located on the lower right of the front side panel.
3. Follow the prompts in the app.

Remote Enable

Once the appliance is connected, use the Remote Enable feature to control features of the appliance from the app such as:

- Access the oven from any mobile device
- Set and preheat the oven from any location
- Monitor progress of cooking cycle
- Adjust cook time and temperature

A cooking cycle does not stop when the oven door is opened. Remote enable will stay enabled.

NOTE: The app overrides any knob selections that have been made while Remote Enable is enabled. If the Mode and Temperature Knobs are set and the appliance is remote enabled, the app will control the oven functions.

Reference the “Internet Connectivity Guide” for more information.

§iTunes® is a registered trademark of Apple Inc.

†Google Play® is a registered trademark of Google Inc.



USING YOUR OVEN

App Features

The JennAir® app puts complete control of your Connected Appliance at your fingertips.

- Access JennAir® Culinary Center
- Adjust cooking temperatures and times

Preheat, check cooking status, and configure oven features remotely by using the JennAir® app, available for either iOS or Android®+ devices.

Home/Away Assist & JennAir

Automatically alert users of oven activity when the home is set "Away." If the oven is active when the home is set "Away," the app will alert the user and give the option to turn the oven off.

OVEN USE

Odors and smoke are normal when the oven is used the first few times, or when it is heavily soiled.

During oven use, the heating elements will not remain on, but will cycle on and off throughout oven operation.

IMPORTANT: The health of some birds is extremely sensitive to the fumes given off. Exposure to the fumes may result in death to certain birds. Always move birds to another closed and well-ventilated room.

Aluminum Foil

IMPORTANT: To avoid permanent damage to the oven bottom finish, do not line the oven bottom with any type of foil or liner.

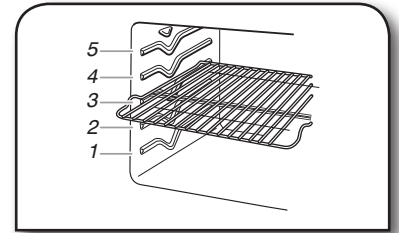
- For best cooking results, do not cover rack with foil because air must be able to move freely.
- To catch spills, place foil on rack below dish. Make sure foil is at least 1/2" (1.3 cm) larger than the dish and that it is turned up at the edges.

Positioning Racks and Bakeware

IMPORTANT: To avoid permanent damage to the porcelain finish, do not place food or bakeware directly on the oven door or bottom.

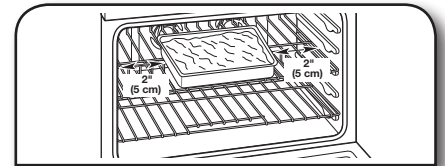
Racks

- Position racks before turning on the oven.
- Do not position racks with bakeware on them.
- Make sure racks are level.
- When installing racks in adjacent rack levels, begin by installing the lower rack first.



Bakeware

To cook foods evenly, center the dish under the broil element and allow 2" (5.0 cm) of space around pan and the oven wall to ensure adequate air circulation.

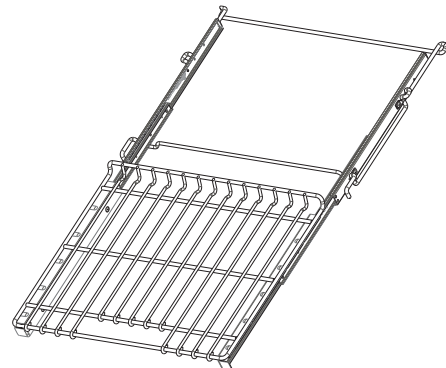


Roll-Out Rack

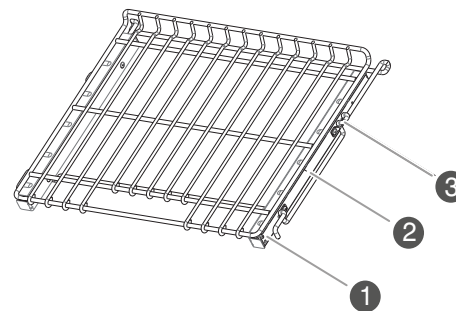
NOTE: Not available in select models.

The roll-out rack allows easy access to position and remove food in the oven. The roll-out rack will fit in all positions.

Open Position



Closed and Engaged Position



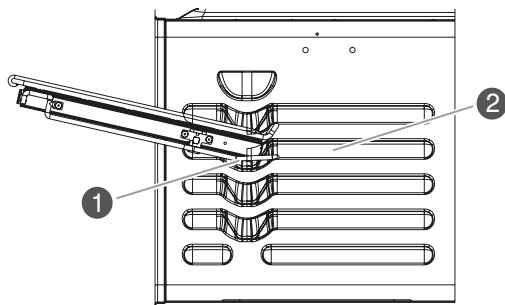
- 1 Slide rails
- 2 Sliding shelf
- 3 Center brace

‡Android® is a registered trademark of Google Inc.

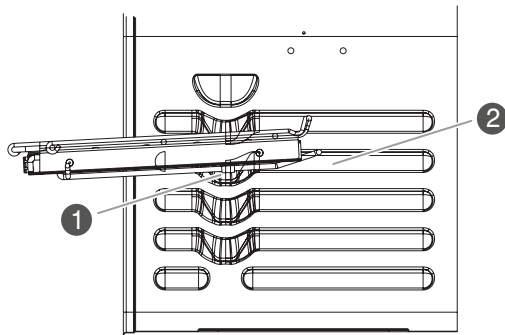


To Insert Roll-Out Rack

1. Angle the rack assembly up and insert the back edge into the “V” cutout in the rack guides of the oven cavity.
2. Keep the rack lifted at an angle and push in until the back edge of the sliding rails (A) bypass the lower “V” cutout.
3. Angle the rack downward and continue to gently slide the assembly in until the center brace (C) bypasses the “V” cutout.
4. Raise rack assembly to flat position and gently push to the back of the oven until the back edge of the sliding rail drops.
5. When placing racks in adjacent positions, start by loading the lower rack positions first and then install the rack in the position above it.
6. Pull the rack assembly slightly forward until the front edge drops and the sliding rails are on the rack guide.



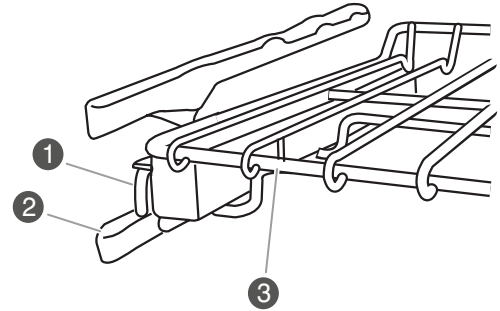
- 1 “V” cutout
- 2 Rack guide



- 1 “V” cutout
- 2 Rack guide

To Remove Roll-Out Rack

1. Push the sliding shelf in completely so that it is closed and engaged with the slide rails.



- 1 Sliding shelf
- 2 Slide rails
- 3 Rack

2. Using 2 hands, lift up on the front edge of the rack assembly. Slowly push the rack assembly to the back wall of the oven so the front edge of the sliding shelf sits on the rack guides on the side of the oven cavity. The front edge of the rack should be higher than the back edge.
3. Using 2 hands, lift up the back of the rack assembly so that the front and back are level on the rack guides.
4. Pull the rack assembly out.

To avoid damage to the sliding shelves, do not place more than 25 lbs (11.4 kg) on the rack.

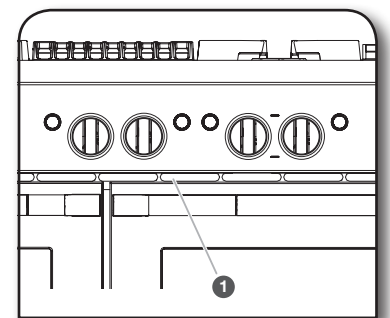
Do not clean the roll-out rack in a dishwasher. It may remove the rack’s lubricant and affect its ability to slide.

See the “General Cleaning” section for more information.

When placing racks in adjacent positions, start by loading the lower rack positions first and then installing the rack in the position immediately above it.

Oven Vent

The oven vent should not be blocked or covered since it allows the release of hot air and moisture from the oven. Blocking or covering the vent will cause poor air circulation, affecting cooking and cleaning results. Do not set plastics, paper, or other items that could melt or burn near the oven vent.



- 1 Oven vent

Cooling Fan

The oven has a dual speed cooling fan motor.

When the oven temperature is in the Self-Cleaning cycle, the fan will operate at its highest speed to increase airflow and better exhaust the hotter air through the oven vent(s). An increase in noise may be noticeable until the oven cools.

NOTE: Cooling fan may continue to run after the oven has been turned off.



USING YOUR OVEN

COOKING MODES

(BAKE, CONVECT BAKE, CONVECT ROAST, CONVECT POULTRY, CONVECT PASTRY, AND BROIL)

Choose an Oven Function

1. Choose an oven function by turning the Mode Knob and Temperature Knob to desired selections.

NOTE: The Start button will flash white to prompt the user to press the Start button.

2. Press the Start button to begin oven function.

When a knob selection is made, and after some time of inactivity, the Start Button Indicator Light will quickly blink to prompt for the Start button to be pressed.

If no action is taken after 2 minutes, a tone will sound and the unit will timeout and return to idle mode.

To exit the unit from idle mode, reselect a mode and Temperature Knob selection before pressing the Start button.

NOTE: The unit goes through a validity check to verify that the selected mode and temperature combination is valid.

If a valid combination has been selected, the knob light and the Start button indicator light will be on. The Start button will begin to blink prompting for action.

If an invalid combination has been selected, the knob indicator lights will blink to show that the selected mode and temperature combination is invalid and a invalid tone will sound.

Changing a Mode, Temperature, while Oven is Active

If the Mode Knob is changed during a cycle to a selection that is valid, the Start button will blink and must be pressed in order to change the mode.

NOTE: The unit will not change modes until the Start button has been pressed.

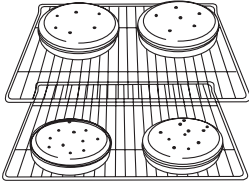
If the Temperature Knob is changed during a cycle to a selection that is valid, the temperature will automatically change.

If the Mode/Temperature Knob is changed during a cycle to a selection that is invalid and the unit was in a previous cycle, the unit will remain in the previous cycle until corrected.

The knob indicator lights will illuminate to show an invalid selection has been made and will continue to light until corrected.

To Turn Off Oven:

Turn the Temperature Knob to the OFF position.

BAKED GOODS	RECOMMENDED MODE(S)	RECOMMENDED RACK POSITION(S)	TIPS
Cakes	Bake	Two racks — 2 and 4 One rack — 3	 <p>For best results when baking cakes on 2 racks, place the cakes on the racks as shown.</p>
Cookies	Convect Bake	Three racks — 1, 3, and 5 Two racks — 2 and 4 One rack — 3	
Casseroles	Bake	One rack — 3	
Chicken (whole)	Convect Roast	One rack — 2	
Frozen Foods/Pizza	Bake	One rack — 2 or 3	
Meats (thinner cuts and pieces)*	Broil	One rack — 4	
Meats (thicker cuts and whole poultry)	Broil	One rack — 3	
Turkey (whole)	Bake	One rack — 1	

*For hamburger patties to have a well-seared exterior and a rare interior, preheat the broiler for 5 minutes and place the rack in position 4. Side 1 should cook for approximately 3-4 minutes. Side 2 should cook for approximately 6-7 minutes. Expect a moderate degree of smoke when broiling.

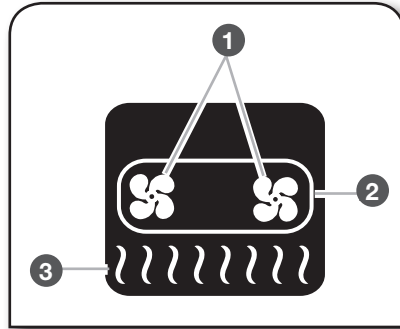


BAKE

The Bake mode relies primarily on heat from the lower bake element and radiant heat from the oven cavity to produce the perfect conditions for cakes, cookies, quick breads, yeast breads, meatloaf, and baked desserts. This mode is perfect for foods that require both upper and lower browning.

Know Your Bake Mode

- During baking, the appropriate heating burner and fan(s) will cycle on and off in intervals to maintain the oven temperature.
- Bake is used to cook up to 2 racks of food.
- For best results, allow the oven to preheat prior to placing food in the oven.
- If the oven door is opened during baking, the bake burner will turn off approximately 30 seconds after the door is opened. It will turn on again approximately 30 seconds after the door is closed.



- 1 Convection fan
- 2 Convection element
- 3 Bake burner

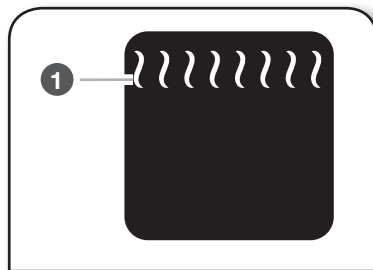
BROIL

The Broil mode uses intense heat from above to cook foods quickly and is ideal when you want rich, flavorful browning of exterior surfaces. Use for steak, chicken, pork, fish, or vegetables like onions and peppers. This mode can also brown and crisp desserts or casserole toppings.

Know Your Broil Mode

NOTE: This feature is not available on the left oven on 48" (121.9 cm) models.

- Broiling uses direct radiant heat to cook food.
- The broil burner cycles on and off in intervals to maintain the oven temperature.
- If the oven door is opened during broiling, the broil burner will turn off in approximately 30 seconds. When the oven door is closed, the burner will come back on approximately 30 seconds after the door is closed.



- 1 Broil

- For best results, use a broiler pan and grid. It is designed to drain juices and help avoid spatter and smoke.
- For proper draining, do not cover the grid with foil. The bottom of the broiler pan may be lined with aluminum foil for easier cleaning.
- Trim excess fat to reduce spattering. Slit the remaining fat on the edges to avoid curling.
- When broiling, changing the temperature allows more precise control. Lowering the temperature causes food to cook slower. Thicker cuts and unevenly shaped pieces of meat, fish, and poultry may cook better at lower broiling temperatures.
- Pull out oven rack to stop position before turning or removing food. Use tongs to turn food to avoid the loss of juices. Very thin cuts of fish, poultry, or meat may not need to be turned.
- After broiling, remove the pan of food from the oven. Drippings will bake on the pan if left in the heated oven, making cleaning more difficult.

To Use Broil:

For best results, preheat oven for 5 minutes. Position food on the grid on the broiler pan, then place pan in the center of the oven rack and center your pan under the broil element.

Keep Warm™ Option

The Keep Warm™ option allows hot cooked foods to stay at serving temperature. It can also be used at the end of a timed cook.

⚠ WARNING

Food Poisoning Hazard

Do not let food sit in oven more than one hour before or after cooking.

Doing so can result in food poisoning or sickness.

IMPORTANT: Food must be at serving temperature before placing it in the warmed oven. Food may be held up to 1 hour; however, it is recommended that foods be covered with aluminum foil to help retain moisture and avoid becoming dry during holding.

To Use Keep Warm

1. Turn the Mode Knob to the Bake position.
2. Turn the Temperature Knob to the Warm position.
3. Press the Start button.

NOTE: Keep Warm defaults to 170°F (77°C).



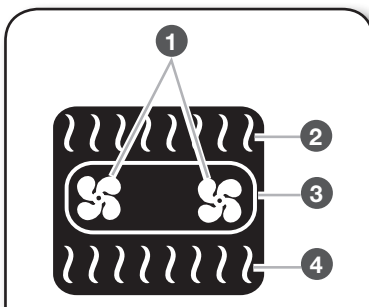
USING YOUR OVEN

CONVECTION COOKING

Convection cooking can cook foods more evenly and faster than regular cooking.

The convection elements are located in the rear of the oven cavity. They are assisted by the convection fans to provide balanced, efficient heating.

NOTE: The left oven cavity on 48" (121.9 cm) models has only one convection fan and no convection element.



- 1 Convection fans
- 2 Broil burner
- 3 Convection element
- 4 Bake burner

CONVECT BAKE

The Convection Bake mode uses multiple elements/burners and a fan to circulate hot air throughout the oven, resulting in baking 10–20% faster than traditional baking.

Know Your Convection Bake Mode

- When cooking an oven meal with several different types of foods, be sure to select recipes that require similar temperatures. Cookware should sit in the oven with at least 2" (5.1 cm) of space between the cookware and the sides of the oven.
- If the oven door is opened during convection baking, the fans turn off immediately when the door is opened and turn on immediately when the door is closed. Convection, bake, and broil elements/burners will turn off approximately 30 seconds after the door is opened. They will turn on again approximately 30 seconds after the door is closed.
- Check food at shortest recommended package or recipe time. Allow more time for baking when using multiple racks.
- Use cookie sheets with no sides to allow air to move freely around the food.

AUTO CONVECT CONVERSION

Convection modes use additional elements/burners and fans to distribute temperatures evenly throughout the cavity. As a result, baking temperatures and/or times may differ from traditional recipes and packaged goods instructions. Auto Convection Conversion automatically converts your recipe for convection cooking by reducing the traditional time and/or temperature you enter.

CONVECT ROAST

Convect roast can be used for roasting meats, poultry and vegetables. During convect roast, the broil, convect, and bake elements/burners will cycle on and off in intervals to maintain oven temperature, while the fan circulates the hot air. It is not necessary to reduce oven temperature when using the Convect Roast mode.

If the oven door is opened during convection roasting, the fans turn off immediately and turn on immediately when the door is closed.

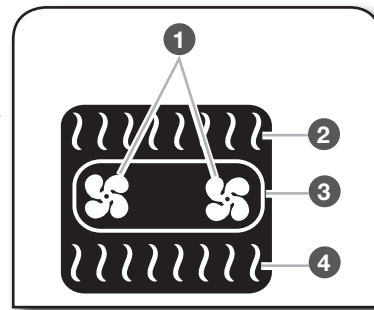
Bake, broil, and convect elements/burners will turn off approximately 30 seconds after the door is opened. They will turn on again approximately 30 seconds after the door is closed.

- The cook time should be reduced 15–30%; however, food should be checked early to avoid over-cooking.
- For best results, use a broiler pan and grid designed to drain juices and help avoid spatter and smoke.
If you would like to purchase a Broiler Pan Kit, it may be ordered. See "Assistance or Service" section to order.

To Use Convect Roast:

Before using convect roast, see the "Positioning Racks and Bakeware" section. It is not necessary to wait for the oven to preheat before putting food in, unless recommended in the recipe.

1. Place food in oven.
2. Turn the Mode Knob to Convect Roast.
3. Turn the Temperature Knob to the desired cooking temperature.
4. Press the Start Button to begin cooking.
5. Turn the Temperature Knob to the OFF position to turn off the oven.



- 1 Convection fans
- 2 Broil element
- 3 Convection element
- 4 Bake element



CONVECT SLOW ROAST

The Convection Slow Roast mode uses low temperature to help retain moisture for longer cooking time, resulting in more tender meat. Convection Slow Roast is particularly good for medium to large cuts of beef, poultry and pork as well as less-tender cuts of meat. Food can be cooked up to 11 hours 59 minutes. The recipe temperature does not need to be reduced for this mode.

Know Your Slow Roast Mode

- Food should be completely thawed before cooking.
- Cover foods with aluminum foil to help retain moisture.
- Prior to slow roasting, meat can be pan-seared or broiled on all sides to enhance browning and flavor.

CONVECT PASTRY

This mode promotes maximum rise of flaky, delicate dough and finishing with the right balance of heat to promote golden browning. Convection pastry is ideal for single or multi-rack baking of cream puffs, turnovers and croissants.

CONVECT POULTRY

This mode uses intense heat to optimize browning and help retain moisture when cooking chicken, turkey or other poultry. The cycle utilizes multiple elements and the convection fan for improved heat distribution. It is not necessary to reduce the oven temperature when using Convection Poultry mode.

If the oven door is opened during operation, the fans will turn off immediately and turn on immediately when the door is closed.

- For best results use a broil pan or place food on a rack in a low-sided baking pan to allow fat and juices to drain while helping contain spatter and smoke.
- High-temperature roasting may shorten cook times; check your food early to avoid over-cooking.

PROOF

The Proof cycle prepares dough for baking by activating the yeast. Follow recipe or package for number of times to proof dough.

RAPID PROOF

Rapid proof is used to proof commercially prepared frozen doughs.

Know Your Proof Mode

The proofing process is temperature sensitive, it is recommended that Proof be started when the oven is cool.

Before Using Proof:

1. Place dough in a lightly greased bowl. Place bowl on rack position 2.
2. Close the door.

To Use Proof:

1. Turn the Mode Knob to the Bake position.
2. Turn the Temperature Knob to the Proof position.
3. Press the Start button.
4. When the cycle is complete, turn the Temperature Knob to the OFF position to end the cycle.

CULINARY CENTER

The Culinary Center is full of information to assist in baking and cooking a wide variety of foods. As you program this mode, you will make selections such as type of meat, vegetable, preferred doneness level, and pan type depending on the food. There are helpful tips and hints as you progress through the menu. The Culinary Center will make adjustments based on the doneness and pan you select. All of the selections cycle the appropriate elements and fans for the programmed food.

NOTE: Culinary Center can be accessed through the app.

NOTE: Some Culinary Center cycles require the use of the temperature probe provided with your oven. See Probe Operation for more information.



USING YOUR OVEN

SPECIAL MODES

COOK TIMER (App Only)

The Cook Timer allows the oven to cook for a programmed length of time. The Cook Timer can be accessed through the app.

Follow the prompts in the app to use Cook Timer.

Know Your Cook Timer

The Cook Timer countdown is started several ways:

- If the cycle does not require preheat, the Cook Time starts immediately as the cycle begins.
- If a cycle requires preheat, the Cook Time can only be started through the app when the start button is pressed.

TEMPERATURE PROBE (App Only)

The temperature probe is a tool to assist with evaluating the finish temperatures of meat, poultry and casseroles. It can be used during Bake, Convection Bake, and Convection Roast. The oven will beep when the food has reached the target temperature.

Know Your Temperature Probe

- Always unplug and remove the temperature probe from the oven when removing food.

Before Using Temperature Probe:

- Remove any racks above the food that are not in use.
- Insert the probe into the food item. For meats, the probe tip should be located in the center of the thickest part of the meat and not into the fat or touching a bone.
- For the most accurate temperature readings, insert as much of the probe shaft as possible into the food. Temperatures will be most accurate when more of the probe is inserted in the food.
- Place food in oven and connect the temperature probe to the jack.
- Keep probe as far away from heat source as possible. Close oven door.

DELAY START (App Only)

WARNING

Food Poisoning Hazard

Do not let food sit in oven more than one hour before or after cooking.

Doing so can result in food poisoning or sickness.

Delay Start allows the oven(s) to be set to turn on at a certain time of day and cook for a set length of time.

Delay Start should not be used for food such as breads and cakes because they may not bake properly.

Delay Start is available with any cycle that has a Delay Start option. The Delay Start can be accessed through the app.

Follow the prompts in the app to use Delay Start.

NOTE: Do not use Delay Start for items that require a preheated oven, such as cakes, cookies and breads. If food is in the oven during preheat, it may become overcooked.



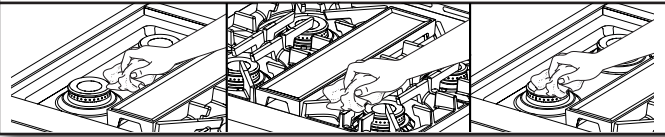
COOKTOP SURFACE

IMPORTANT:

- Before cleaning, make sure all cooktop knobs are OFF and the oven and cooktop are cool. Do not use oven cleaners, bleach, or rust removers.
- Soap, water, and a soft cloth or sponge are suggested first unless otherwise noted.

After Each Use:

1. Wipe off cooktop, grates, and caps.



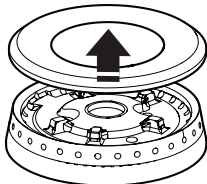
2. Clean food spills.



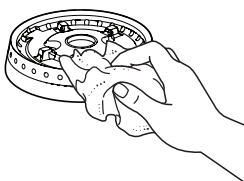
To preserve the finish, clean food spills containing acids, such as vinegar and tomato, as soon as the entire appliance is cool.

SEALED SURFACE BURNERS

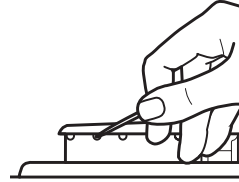
1. Remove burner cap.



2. Clean gas opening with damp cloth.



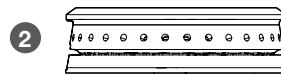
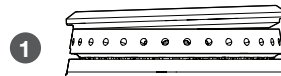
3. Clean clogged burner ports.



Use a straight pin. Do not enlarge or distort the port. Do not use a wooden toothpick. If the burner needs to be adjusted, contact a trained repair specialist.

4. Replace burner cap.

Burner



- 1 Incorrect
- 2 Correct

5. Turn on burner.



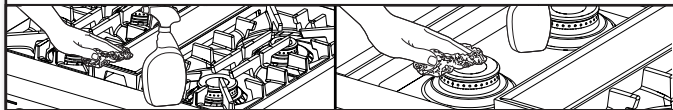
If the burner does not light, check cap alignment. If the burner still does not light, do not service the sealed burner yourself. Contact a trained repair specialist.



CARE AND CLEANING

PORCELAIN-COATED GRATES AND CAPS

Use scrub and cleanser.



Clean with a nonabrasive nylon scrub pad and mildly abrasive cleanser.

Know Your Grates and Caps

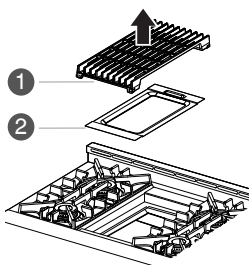
- Food spills containing acids, such as vinegar and tomato, should be cleaned as soon as the cooktop, grates, and caps are cool. These spills may affect the finish.
- To avoid chipping, do not bang grates and caps against each other or hard surfaces such as cast iron cookware.
- Do not reassemble caps on burners while wet.
- Do not clean in the Self-Cleaning cycle.
- Do not clean in dishwasher.

GRILL

To Remove for Cleaning:

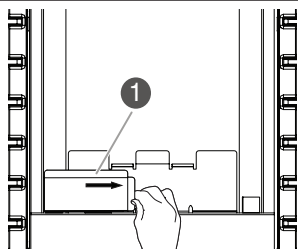
Before removing or replacing grill components, make sure the control knobs are turned to OFF. Allow the grill to cool completely before handling.

1. Remove grill grate and deflector.



- 1 Grill grate
- 2 Deflector

2. Remove and clean drip tray.



- 1 Drip tray

To Clean:

Do not use oven cleaners, metal brushes, abrasive scouring pads or other scrubbers made to clean grill components.

Grate:

- Do not clean grill grate in dishwasher.
- Do not clean in a self-cleaning oven.

1. Scrub with brush while grate is still warm.

Use a soft-bristle brush. Oven mitts may be worn while cleaning.

2. Soak in warm, soapy water for 30 minutes.

After soaking, scrub with nonabrasive pad.

Deflector:

Soak in warm, soapy water to loosen soil.

After soaking, scrub with non-abrasive pad.

Drip Tray:

- Allow cooktop to cool before cleaning.

Wipe with warm, soapy water or non-abrasive cleanser.

Use damp cloth or non-abrasive pad.

Module Basin:

1. Wipe with warm, soapy water or non-abrasive cleanser.

Use damp cloth or non-abrasive pad.

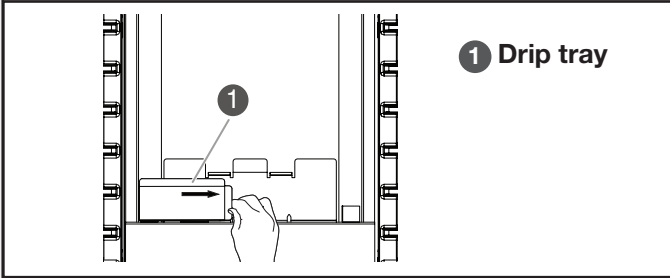
2. For heavy soil, soak with paper towels.

Soak paper towels in household cleanser and lay them on the soil for at least 30 minutes. After soaking, scrub with a nonabrasive pad.



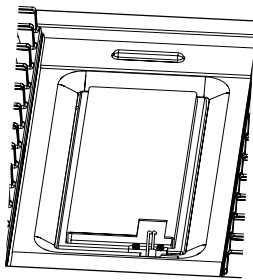
To Replace:

1. Replace drip tray.

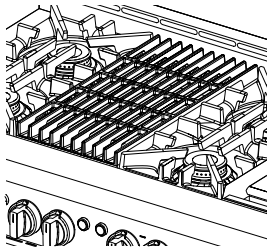


Slide drip tray into opening on the left front side of the grill basin.

2. Place deflector on top of burner assembly.



3. Place grill grate into position.



GRIDDLE

Tips:

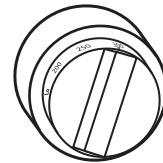
- Prior to cleaning the griddle, make sure that all cooktop burners and oven controls have been turned off.
- For best results, clean the griddle shortly after removing the food.

Do Not Use:

- Soap
- Abrasive materials
- Cleaning materials, including stainless steel cleaner

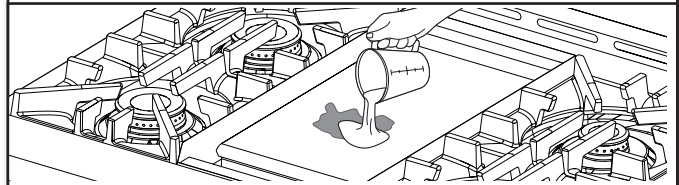
After Each Use:

1. Turn knob to 300°F (149°C) to preheat.



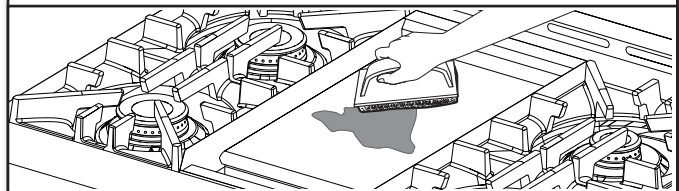
Wait until preheat is complete before cleaning.

2. Pour water on soiled area.



Using a measuring cup, pour up to 1 cup (236.6 mL) tap water over the soiled area. Start at the back, allowing the water to run toward the drip tray in the front. Allow the water to bubble on the griddle for 3–4 seconds.

3. Scrape residue into drip tray.

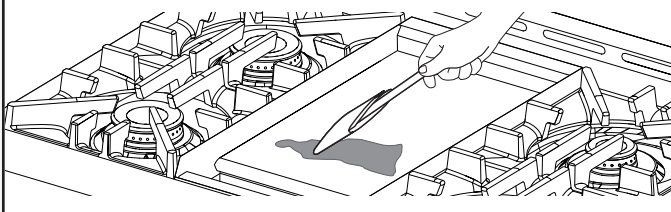


Use a pad holder or wooden spoon with a non-abrasive pad or cloth. Use pressure on soiled areas. Repeat if needed for heavy soils.



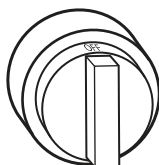
CARE AND CLEANING

4. Remove remaining residue.

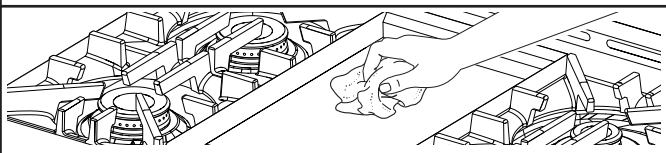


Fold a damp towel and, with the pad holder or wooden spoon, go over the griddle to remove remaining residue.

5. Turn off griddle and let cool.

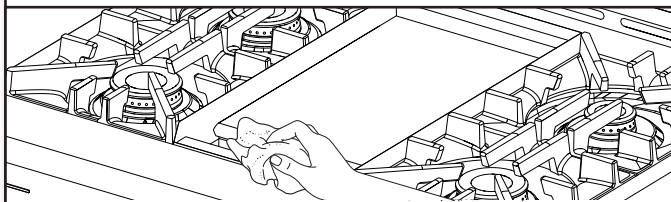


6. Wipe off griddle.



Once cool, wipe the griddle with a clean, damp terry cloth towel. Then buff with a microfiber cloth. If streaking, rainbowing, or ghosting occurs, use a mixture of 1 part white vinegar to 2 parts water on a towel to wipe the griddle.

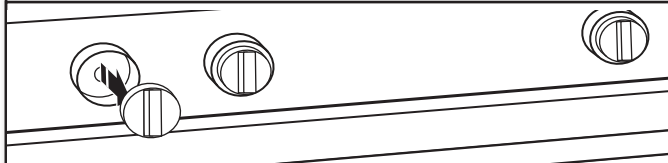
7. Remove, empty, and clean drip tray.



Clean the drip tray with warm, soapy water. Wipe the area under the drip tray clean. Once dry, put the drip tray back in position.

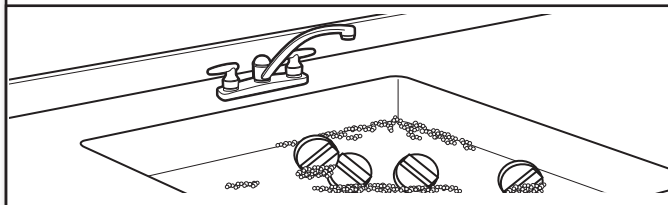
COOKTOP CONTROLS

1. Remove knobs.



Pull the knobs straight away from the control panel to remove.

2. Clean with warm, soapy water.

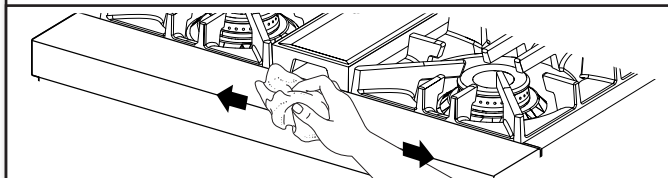


Know Your Cooktop Controls

- To avoid damage to the cooktop controls, do not use steel wool, abrasive cleansers, or an oven cleaner.
- To avoid damage, do not soak knobs.
- When replacing knobs, make sure knobs are in the Off position.
- When replacing knobs after cleaning either the surface burner controls or the griddle module control, make sure the knobs are replaced to the correct location. See the “Knob Variations” section for reference.

STAINLESS STEEL

Use cleaner or wipes.



Use affresh® Stainless Steel Cleaner or affresh® Stainless Steel Cleaning Wipes (not included). Rub in direction of grain to avoid possible damage to the steel surface.

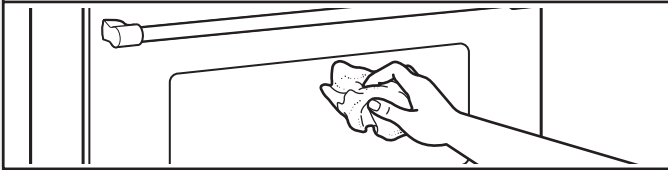
Do Not Use:

- Soap-filled scouring pads
- Abrasive cleaners
- Cooktop polishing creme
- Steel-wool pads
- Gritty washcloths
- Abrasive paper towels



DOOR EXTERIOR

Apply cleaner.



Apply glass cleaner to a soft cloth or sponge, not directly on the glass, or use affresh® Kitchen and Appliance Cleaner (not included).

DOOR INTERIOR

1. Wipe away any deposits.



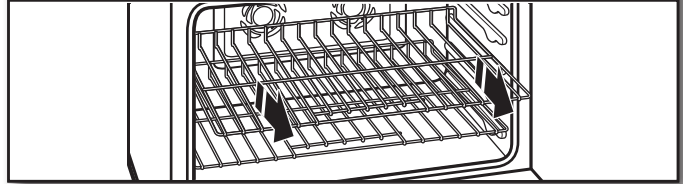
Use a damp sponge.

2. Use Self-Cleaning cycle.

See the “Self-Cleaning the Oven” section.

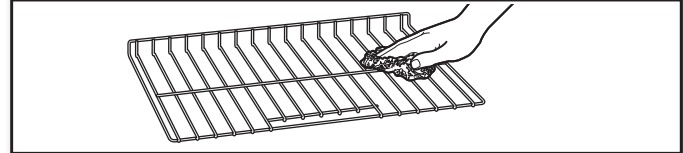
OVEN RACKS

1. Empty out oven and remove racks.



IMPORTANT: Remove racks before the Self-Cleaning cycle to avoid discoloring and difficulty sliding.

2. Use non-abrasive pad or cloth.



OVEN CAVITY

- Do not use oven cleaners.
- Food spills should be cleaned when oven cools. At high temperatures, foods react with porcelain. Staining, etching, pitting, or faint white spots can result.



SELF-CLEANING THE OVEN

⚠ WARNING



Burn Hazard

Do not touch the oven during the Self-Cleaning cycle.

Keep children away from oven during Self-Cleaning cycle.

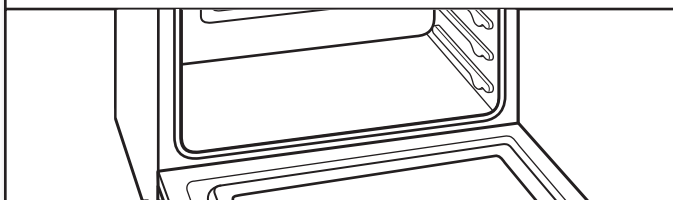
Failure to follow these instructions can result in burns.

IMPORTANT:

- The health of some birds is extremely sensitive to the fumes given off during the Self-Cleaning cycle. Exposure to the fumes may result in death to certain birds. Always move birds to another closed and well-ventilated room.
- Self-clean the oven before it becomes heavily soiled. Heavy soil results in longer cleaning and more smoke.
- Remove broiler pan, grid, cookware, and bakeware and, the meat probe from the oven.
- Keep the kitchen well-ventilated during the Self-Cleaning cycle to help get rid of heat, odors, and smoke.
- Do not block the oven vent(s) during the Self-Cleaning cycle. Air must be able to move freely. See "Oven Vent" in the "Know Your Oven" section.
- Do not clean, rub, damage, or move the oven door gasket. The door gasket is essential for a good seal.

To Prepare Oven:

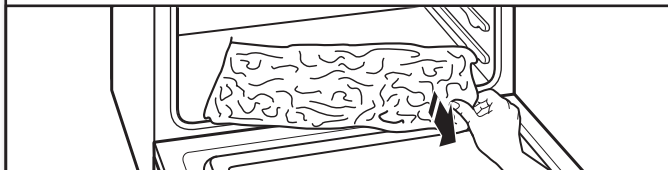
1. Empty out oven and remove racks.



Remove broiler pan, grid, cookware and bakeware, and the meat probe from the oven.

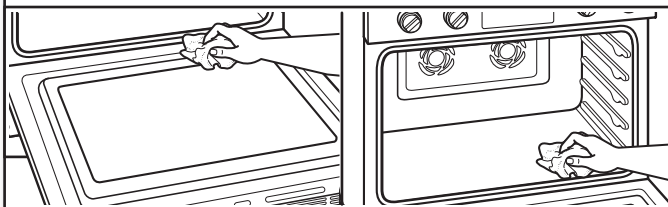
IMPORTANT: Remove racks before the Self-Cleaning cycle to avoid discoloring and difficulty sliding.

2. Remove any foil from oven.



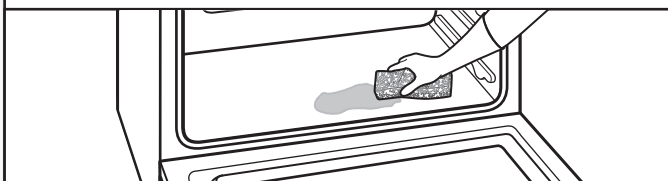
Foil may burn or melt, damaging the oven.

3. Hand clean.



With a damp cloth, hand clean the inside door edge and 1½" (3.8 cm) of the area around the inside oven cavity frame. Be certain not to move or bend the gasket. This area does not get hot enough during self-cleaning to remove soil. Do not let water, cleaners, etc., enter the slots on the door frame.

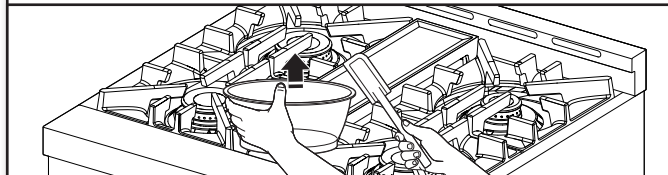
4. Wipe out loose soil.



Wiping out soil reduces smoke and avoids damage. At high temperatures, foods react with porcelain. Staining, etching, pitting, or faint white spots can result. This will not affect cooking performance.

To Prepare Cooktop:

5. Remove plastic items.



Plastic items may melt.



How the Cycle Works

IMPORTANT:

- The heating and cooling of porcelain on steel in the oven may result in discoloring, loss of gloss, hairline cracks, and popping sounds.
- The Self-Cleaning cycle uses very high temperatures, burning soil to a powdery ash.
- Heavy soil accumulations may require multiple cleaning cycles.
- The oven is preset for a 3 hour 30 minute Self-Cleaning cycle. The oven will cool for an additional 30 minutes after cleaning is completed.

To Use Self-Clean:

Turn the Mode and Temperature Knobs to the Clean position. The knob indicator lights will illuminate to show that a selection has been made.

The Start button indicator light will blink to prompt for action. Press the Start button to begin the cleaning cycle.

The door(s) will lock.

NOTE: The oven will cool for an additional 30 minutes after cleaning is completed.

To Start Self-Clean:

1. Turn the Mode Knob to the Clean position.
2. Turn the Temperature Knob to the Clean position.
3. Press the Start Button.

NOTE: All operations must be completed within 30 seconds.

REMEMBER: When range is in use or during the Self-Cleaning cycle, the entire cooktop area may become hot.

To Stop Self-Clean Any Time:

Move the Temperature Knob to OFF position to stop self-clean. If the oven temperature is too high, the door will remain locked. It will not unlock until the oven cools.

Once the oven has completely cooled:

- Remove ash with a damp cloth.
- If soil remains after wiping, that means the length of the Self-Cleaning cycle was not long enough for the amount of soil in the oven. Repeat the Self-Cleaning cycle if desired or the soil will be removed during the next Self-Cleaning cycle.
- To avoid breaking the glass, do not apply a cool damp cloth to the inner door glass before it has completely cooled.
- The oven lights will not light during the Self-Cleaning cycle.
- On 48" (121.9 cm) ranges, only one oven can self-clean at a time. If one oven is self-cleaning, the other oven cannot be set or turned on.

NOTE: The oven has a dual speed cooling fan motor. During self-cleaning, the fan(s) will operate at their highest speed to increase airflow to better exhaust the hotter air through the oven vent(s). An increase of noise may be noticeable during and after the Self-Cleaning cycle until the oven cools.



OVEN LIGHTS

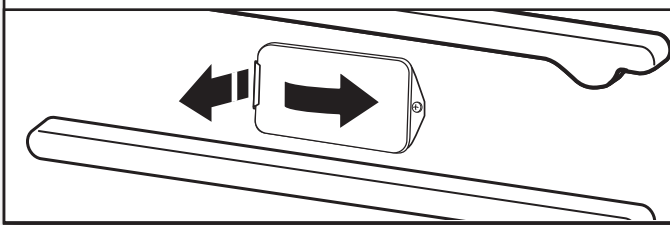
The oven lights are 120 V, 25 W maximum halogen bulbs. They will come on when the oven door is opened.

To Replace:

Before replacing the bulb, make sure the oven is OFF and cool.

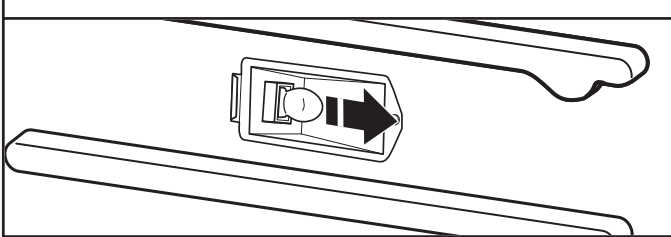
Disconnect power.

1. Remove glass light cover.

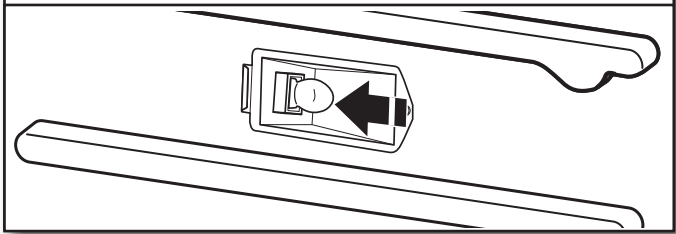


Grasp the front edge, and pull away from the oven.

2. Remove bulb from socket.

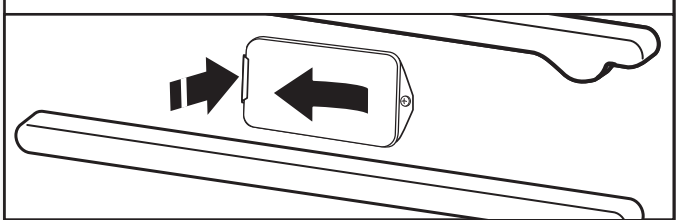


3. Replace bulb.



Use a tissue or wear cotton gloves to handle the bulb. To avoid damage or decreasing the life of the new bulb, do not touch bulb with bare fingers.

4. Replace bulb cover.



Snap back into the wall.
Reconnect power.



First try the solutions suggested here. If you need further assistance or more recommendations that may help you avoid a service call, refer to the “Warranty,” or visit <https://jennair.custhelp.com>. In Canada, visit <http://www.jennair.ca>.

IF YOU EXPERIENCE	POSSIBLE CAUSES	SOLUTION
Nothing will operate.	A household fuse has blown or a circuit breaker has tripped.	Replace the fuse or reset the circuit breaker. If the problem continues, call an electrician.
Surface burners will not operate.	This is the first time the surface burners have been used.	Turn on any one of the surface burner knobs to release air from the gas lines.
	The control knob is not set correctly.	Push in knob before turning to a setting.
	The burner ports are clogged.	Clean clogged burner ports with a straight pin.
A tone sounds or indicator light flashes from the unit.	An invalid mode and temperature selection has been made.	Make sure that a valid mode and temperature selection has been made according to the “Knob Combinations” chart.
	An invalid Start button selection is made.	If an invalid knob combination has been chosen and the Start button is pressed, the indicator light will quickly blink and a tone will sound to indicate that the chosen selection is invalid. See the “Knob Combinations” chart for valid knob combinations.
	The timer from the app has ended.	The tone will sound every five minutes until the timer is stopped on the app.
	The Meat probe has been disconnected.	Reconnect the meat probe.
Surface burner flames are uneven, yellow, and/or noisy.	The burner ports are clogged.	Clean clogged burner ports with a straight pin.
	The burner caps are not positioned properly.	Make sure cap is properly aligned with the burner.
	Propane gas is being used.	The range may have been converted improperly. Contact a trained repair specialist.
Surface burner makes popping noises.	The burner is wet.	Let it dry.
Burner sparks but does not light.	There is continuous sparking, but the burner does not light.	Make sure cap is properly aligned with burner. If sparking continues, discontinue use of the surface burner and contact a service technician.
Excessive heat around cookware on cooktop.	The cookware is not the proper size.	Use cookware about the same size as the surface cooking area or surface burner. Cookware should not extend more than 1/2" (1.3 cm) outside the cooking area.
Cooktop cooking results not what expected.	The proper cookware is not being used.	Use medium-to-heavy cookware made of the material that cooks food the way you want. The best cookware should have a flat bottom, straight sides, and a well-fitting lid.
	The control knob is not set to the proper heat level.	Set the Cooktop Control to HI, MED, or LO, depending upon the type of cooking you want to do.
	The range is not level.	The range must be level for the griddle to operate properly. See the Installation Instructions for leveling instructions.
Oven will not operate.	The oven control is not set correctly.	Make sure you have followed the instructions for the function you want to perform.
	A Delay Start has been set via the App.	This will cause the oven to start at a later time.
	On some models, the Sabbath Mode is set.	This mode allows oven operation in keeping with the Jewish Sabbath. See Sabbath Mode section for disabling.
	The temperature knob is not set to a proper temperature setting.	Push in knob before turning to a setting and verify that the knob is located on a setting.
	The start button is not properly operating.	Allow the start button to blink before pressing start.
	The updated cooking mode selected is not working properly.	Moving too quickly between cooking modes can cause issues with getting the desired mode started.



TROUBLESHOOTING

First try the solutions suggested here. If you need further assistance or more recommendations that may help you avoid a service call, refer to the “Warranty,” or visit <https://jennair.custhelp.com>. In Canada, visit <http://www.jennair.ca>.

IF YOU EXPERIENCE	POSSIBLE CAUSES	SOLUTION
Cooling fan runs during baking, broiling, or cleaning.		It is normal for the fan to automatically run while the oven is in use or for some time after the oven is shut off to cool the electronic control.
Self-Cleaning cycle will not operate.	The oven door is open.	Close the oven door all the way.
	The function has not been entered.	Make sure you have properly followed the Self-Cleaning cycle instructions.
	A second self-cleaning cycle is run in the same cavity within 12 hours.	Allow more than 12 hours between self-cleaning cycles.
	On 48" (121.9 cm) ranges, one oven is self-cleaning.	When one oven is self-cleaning, the other oven cannot be set to self-clean.
Oven cooking results not what expected.	The set temperature did not perform as expected.	Double-check the recipe in a reliable cookbook.
	The oven was not preheated.	If the proper steps are followed when setting the desired function, the oven will preheat before cooking.
	The proper bakeware is not being used.	Make sure the bakeware used is appropriate for the food being cooked.
	The racks are not positioned properly.	Place racks so there is adequate space above each food item.
	There is not proper air circulation around bakeware.	Allow 2" (5.0 cm) of space around bakeware and oven walls.
	The batter is not evenly distributed in the pan.	Make sure your unit and racks are level, and check that batter is level in the pan.
	The proper length of time is not being used.	Adjust cooking time.
	The oven door has been opened while cooking.	Oven peeking releases oven heat and can result in longer cooking times.
	Baked items are too brown on the top or bottom.	Move rack to a lower location to reduce top browning or to a higher location to reduce bottom browning in the oven.
	Pie crust edges are browning early.	Use aluminum foil to cover the edge of the crust and/or reduce baking temperature.
Racks are difficult to install in adjacent positions.	Install the bottom rack first and then install the rack above it.	



Before calling for assistance or service, please check “Troubleshooting.” It may save you the cost of a service call. If you still need help, follow the instructions below. When calling, please know the purchase date and the complete model and serial number of your appliance. This information will help us to better respond to your request.

If You Need Replacement Parts

If you need to order replacement parts, we recommend that you use only factory specified parts. These factory specified parts will fit right and work right because they are made with the same precision used to build every new JennAir® appliance.

To locate factory specified parts in your area, call us or your nearest JennAir designated service center.

In the U.S.A.

Call the JennAir Customer eXperience Center toll-free: **1-800-JENNAIR (1-800-536-6247)** or visit our website at **www.jennair.com**.

Our consultants provide assistance with:

- Scheduling of service. JennAir® appliances designated service technicians are trained to fulfill the product warranty and provide after-warranty service anywhere in the United States.
- Features and specifications on our full line of appliances.
- Referrals to local JennAir® appliance dealers.
- Installation information.
- Use and maintenance procedures.
- Accessory and repair parts sales.
- Specialized customer assistance (Spanish speaking, hearing impaired, limited vision, etc.).

For further assistance

If you need further assistance, you can write to JennAir with any questions or concerns at:

JennAir Brand Home Appliances
Customer eXperience Center
553 Benson Road
Benton Harbor, MI 49022-2692

Please include a daytime phone number in your correspondence.

In Canada

Call the JennAir Canada Customer eXperience Centre toll-free: **1-800-JENNAIR (1-800-536-6247)** or visit our website at **www.jennair.ca**.

Our consultants provide assistance with:

- Scheduling of service. JennAir® appliances designated service technicians are trained to fulfill the product warranty and provide after-warranty service anywhere in Canada.
- Features and specifications on our full line of appliances.
- Referrals to local JennAir® appliance dealers.
- Installation information.
- Use and maintenance procedures.
- Accessory and repair parts sales.

For further assistance

If you need further assistance, you can write to JennAir Canada with any questions or concerns at:

Customer eXperience Centre
JennAir Canada
200 - 6750 Century Ave.
Mississauga, Ontario L5N 0B7

Please include a daytime phone number in your correspondence.



For accessories in the U.S.A., you can visit our website at **www.jennair.com** or call us at **1-800-JENNAIR (1-800-536-6247)**.

In Canada, visit our website at **www.jennair.ca** or call us at **1-800-JENNAIR (1-800-536-6247)**.

Affresh® Stainless Steel Cleaner

(stainless steel models)

Affresh® Stainless Steel Cleaning Wipes

(stainless steel models)

Gas Grate/Drip Pan Cleaner

Affresh® Kitchen and Appliance Cleaner

Stainless Steel Grill Cover

Wok Ring

Extendable Roller Rack

Broiler Pan Kit

Backguard and Backsplash

Brass Burner Caps

Chrome/Brass Bezels



INFORMATIONS DE SÉCURITÉ

Votre sécurité et celle des autres est très importante.

Nous donnons de nombreux messages de sécurité importants dans ce manuel et sur votre appareil ménager. Assurez-vous de toujours lire tous les messages de sécurité et de vous y conformer.



Voici le symbole d'alerte de sécurité.

Ce symbole d'alerte de sécurité vous signale les dangers potentiels de décès et de blessures graves à vous et à d'autres.

Tous les messages de sécurité suivront le symbole d'alerte de sécurité et le mot "DANGER" ou "AVERTISSEMENT". Ces mots signifient :

! DANGER

Risque possible de décès ou de blessure grave si vous ne suivez pas immédiatement les instructions.

! AVERTISSEMENT

Risque possible de décès ou de blessure grave si vous ne suivez pas les instructions.

Tous les messages de sécurité vous diront quel est le danger potentiel et vous disent comment réduire le risque de blessure et ce qui peut se produire en cas de non-respect des instructions.

AVERTISSEMENT : Si les renseignements dans ces instructions ne sont pas exactement observés, un incendie ou une explosion peut survenir, causant des dommages au produit, des blessures ou un décès.

- Ne pas entreposer ni utiliser de l'essence ou d'autres vapeurs ou liquides inflammables à proximité de cet appareil ou de tout autre appareil électroménager.
- **QUE FAIRE DANS LE CAS D'UNE ODEUR DE GAZ :**
 - Ne pas tenter d'allumer un appareil.
 - Ne pas toucher à un commutateur électrique.
 - Ne pas utiliser le téléphone se trouvant sur les lieux.
 - Appeler immédiatement le fournisseur de gaz à partir du téléphone d'un voisin. Suivre ses instructions.
 - À défaut de joindre votre fournisseur de gaz, appeler les pompiers.
- L'installation et l'entretien doivent être effectués par un installateur qualifié, une agence de service ou le fournisseur de gaz.

AVERTISSEMENT : L'odorat ne permet pas toujours la détection d'une fuite de gaz.

Les distributeurs de gaz recommandent l'emploi d'un détecteur de gaz (homologation UL ou CSA).

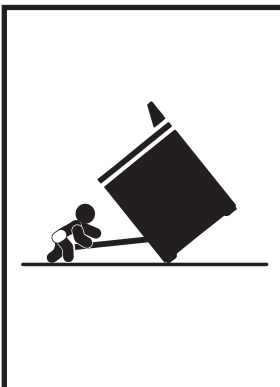
Pour d'autres informations, contacter le fournisseur de gaz local.

En cas de détection d'une fuite de gaz, exécuter les instructions "Que faire dans le cas d'une odeur de gaz".



LA BRIDE ANTIBASCULEMENT

Dans des conditions de service normales, la cuisinière ne bascule pas. Elle peut cependant basculer si une force ou un poids excessif est appliqué sur la porte ouverte alors que la bride antibasculément n'est pas convenablement fixée.



⚠ AVERTISSEMENT

Risque de basculement

Un enfant ou une personne adulte peut faire basculer la cuisinière, ce qui peut causer un décès.

Vérifier que la bride antibasculément est bien installée et engagée, conformément aux instructions d'installation.

Réengager la bride antibasculément si la cuisinière a été déplacée.

Ne pas faire fonctionner la cuisinière si la bride antibasculément n'est pas installée et engagée.

Le non-respect de ces instructions peut causer un décès ou des brûlures graves aux enfants et aux adultes.



Pour vérifier que la bride antibasculément est bien installée et engagée:

- **Faire glisser la cuisinière vers l'avant.**
- **Vérifier que la bride antibasculément est bien fixée au plancher ou au mur.**
- **Faire de nouveau glisser la cuisinière vers l'arrière de sorte que le pied de la cuisinière se trouve sous la bride antibasculément.**
- **Voir les instructions d'installation pour plus de détails.**

IMPORTANTES INSTRUCTIONS DE SÉCURITÉ

AVERTISSEMENT : Pour réduire le risque d'incendie, de choc électrique, de blessures ou de dommages lors de l'utilisation de la cuisinière, il convient d'observer certaines précautions élémentaires dont les suivantes :

■ **AVERTISSEMENT :** POUR MINIMISER LE RISQUE DE BASCULEMENT DE LA CUISINIÈRE, ELLE DOIT ÊTRE BIEN IMMOBILISÉE PAR DES DISPOSITIFS ANTIBASCULEMENT CORRECTEMENT INSTALLÉS. POUR VÉRIFIER SI LES DISPOSITIFS SONT CORRECTEMENT INSTALLÉS, GLISSER LA CUISINIÈRE VERS L'AVANT ET VÉRIFIER SI LA BRIDE ANTIBASCULEMENT EST BIEN FIXÉE AU PLANCHER OU AU MUR, ET GLISSER LA CUISINIÈRE VERS L'ARRIÈRE POUR QUE LE PIED ARRIÈRE DE LA CUISINIÈRE SOIT SOUS LA BRIDE ANTIBASCULEMENT.

■ **AVERTISSEMENT :** POUR RÉDUIRE LE RISQUE DE BRÛLURE, NE PAS DÉPLACER LA CUISINIÈRE LORSQU'ELLE EST CHAUDE. CETTE CUISINIÈRE COMPORTE DES ROULETTES POUR EN FACILITER LE DÉPLACEMENT. POUR RÉDUIRE LE RISQUE DE BLESSURE LIÉ AU BASCULEMENT DE L'APPAREIL, VÉRIFIER LA QUALITÉ DE LA RÉINSTALLATION DE LA CUISINIÈRE DANS LE DISPOSITIF ANTI-BASCULEMENT FOURNI ET DÉPLOYER LES PIEDS DE NIVELLEMENT APRÈS AVOIR RAMENÉ LA CUISINIÈRE À SA POSITION D'INSTALLATION INITIALE.

■ **AVERTISSEMENT :** NE JAMAIS utiliser cet appareil comme dispositif de chauffage de la pièce. Le non-respect de cette instruction peut entraîner une intoxication au monoxyde de carbone et une surchauffe du four.

■ **AVERTISSEMENT :** NE JAMAIS couvrir les fentes, trous ou passages d'air au fond du four ou couvrir entièrement une grille avec des matériaux tels que du papier d'aluminium. Le non-respect de cette instruction empêche la circulation de l'air dans le four et peut entraîner une intoxication au monoxyde de carbone. Les feuilles de papier d'aluminium peuvent également retenir la chaleur et créer un risque d'incendie.

■ **MISE EN GARDE :** Ne pas remiser dans des armoires au-dessus de la cuisinière ou sur le dossier d'une cuisinière, des objets que des enfants pourraient vouloir atteindre. Les enfants pourraient se brûler ou se blesser en grimpaient sur la cuisinière.

■ Ne pas laisser les enfants seuls – Les enfants ne doivent pas être laissés seuls ou sans surveillance dans la pièce où la cuisinière est en service. Ne jamais laisser les enfants s'asseoir ou se tenir sur une partie quelconque de la cuisinière.

■ Porter des vêtements appropriés – Des vêtements amples ou détachés ne doivent jamais être portés pendant l'utilisation de la cuisinière.

■ Entretien par l'utilisateur – Ne pas réparer ni remplacer toute pièce de la cuisinière si ce n'est pas spécifiquement recommandé dans le manuel. Toute autre opération d'entretien ou de réparation doit être confiée à un technicien qualifié.

■ Remisage dans ou sur la cuisinière – Des matériaux inflammables ne doivent pas être remisés dans un four ou près des éléments de surface.

■ Ne pas utiliser d'eau pour éteindre un feu de graisse – Étouffer le feu ou les flammes ou utiliser un extincteur à produits chimiques secs, ou un extincteur à mousse.

CONSERVEZ CES INSTRUCTIONS



IMPORTANTES INSTRUCTIONS DE SÉCURITÉ

- N'utiliser que des mitaines de four sèches – Des mitaines de four mouillées ou humides sur des surfaces chaudes peuvent provoquer des brûlures provenant de la vapeur. Ne pas laisser les mitaines de four toucher les éléments chauffants. Ne pas utiliser une serviette ou un tissu épais.
 - **NE PAS TOUCHER LES ÉLÉMENTS DE SURFACE OU L'ESPACE PRÈS DES ÉLÉMENTS** – Les éléments de surface peuvent être chauds même lorsqu'ils ont une teinte foncée. Les endroits près des éléments de surface peuvent devenir assez chauds pour causer des brûlures. Pendant et après l'utilisation, ne pas toucher les éléments chauffants et ne pas laisser les vêtements ou autres matériaux inflammables entrer en contact avec ces éléments de surface ou les endroits près des éléments, avant qu'ils aient suffisamment refroidi. Ces endroits comprennent la table de cuisson et les surfaces près de la table de la cuisson.
 - Ne jamais laisser les éléments de la table de cuisson sans surveillance alors qu'ils chauffent à la puissance maximale. Il pourrait en résulter une ébullition qui cause de la fumée et des renversements de corps gras qui peuvent s'enflammer.
 - Ustensiles de cuisson vitrifiés – Seulement certains types d'ustensiles de verre, vitrocéramique, céramique, faïence ou autres surfaces vitrifiées conviennent pour le service sur une table de cuisson, sans bris attribuables aux changements soudains de température.
 - Les poignées des ustensiles doivent être tournées vers l'intérieur et non vers le dessus des éléments adjacents – Pour réduire le risque de brûlures, d'inflammation de produits inflammables et de renversements dus à l'entrechoquement non intentionnel des ustensiles, la poignée d'un ustensile doit être positionnée de sorte qu'elle soit tournée vers l'intérieur et non au-dessus des éléments de surface adjacents.
 - Nettoyer la table de cuisson avec prudence – Si une éponge ou un chiffon mouillé est utilisé pour essuyer les renversements sur une surface de cuisson chaude, éviter les brûlures causées par la vapeur chaude. Certains nettoyants peuvent produire des émanations nocives lorsqu'ils sont utilisés sur une surface chaude.
 - Exercer une grande prudence lors de l'ouverture de la porte – Laisser l'air chaud ou la vapeur s'échapper avant d'enlever ou de replacer un plat.
 - Ne pas faire chauffer des contenants fermés – L'accumulation de pression peut causer une explosion du contenant et des blessures.
 - Ne jamais obstruer les ouvertures des événements.
 - Positionnement des grilles du four – Toujours placer les grilles du four à la position désirée pendant que le four est froid. Si la grille doit être déplacée pendant que le four est chaud, ne pas laisser les mitaines de four toucher l'élément chaud du four.
 - **NE PAS TOUCHER LES ÉLÉMENTS CHAUFFANTS OU LES SURFACES INTÉRIEURES DU FOUR** – Les éléments chauffants peuvent être chauds même s'ils ont une teinte foncée. Les surfaces intérieures d'un four deviennent assez chaudes pour causer des brûlures. Pendant et après l'utilisation, ne pas toucher ou laisser des vêtements ou autres matériaux inflammables venir en contact avec les éléments chauds ou les surfaces intérieures chaudes du four avant qu'ils aient eu assez de temps pour refroidir. D'autres surfaces de l'appareil peuvent devenir assez chaudes pour causer des brûlures. Ces surfaces comprennent les ouvertures de l'évent du four et les surfaces près de ces ouvertures, les portes du four, et les hublots des portes du four.
 - Installation correcte – Une fois installée, la cuisinière doit être reliée à la terre conformément aux codes locaux, ou en l'absence de codes locaux, au *National Electrical Code ANSI/NFPA 70*. Au Canada, la cuisinière doit être reliée à la terre conformément au Code canadien des installations électriques. Veiller à ce que l'installation et la mise à la terre de la cuisinière soient correctement réalisées par un électricien qualifié.
 - Déconnecter la source de courant électrique avant d'intervenir sur l'appareil.
 - Des blessures peuvent résulter d'un mauvais usage des portes ou tiroirs de l'appareil – par exemple marcher, s'appuyer ou s'asseoir sur les portes ou tiroirs.
 - Entretien – Maintenir la zone de la cuisinière à l'abri des matériaux combustibles, essence ou autres vapeurs ou liquides inflammables.
 - La taille de la flamme du brûleur supérieur doit être ajustée de façon à ne pas dépasser du bord de l'ustensile de cuisson.
- Pour les cuisinières avec programme d'autonettoyage –**
- Ne pas nettoyer le joint de la porte – Le joint de la porte est essentiel pour l'étanchéité. Veiller à ne pas frotter, endommager ou déplacer le joint.
 - Ne pas utiliser des produits commerciaux de nettoyage du four – On ne doit pas utiliser un produit commercial de nettoyage de four ou un enduit de protection des surfaces internes du four quel qu'en soit le type, sur les surfaces du four ou les surfaces voisines.
 - Nettoyer uniquement les pièces indiquées dans le manuel.
 - Avant d'exécuter le programme d'autonettoyage du four – Ôter la lèchefrite et les autres ustensiles. Essuyer tout excès de renversement avant de commencer un programme de nettoyage.
- Pour les appareils avec hotte de ventilation –**
- Nettoyer les hottes de ventilation fréquemment – La graisse ne doit pas s'accumuler sur la hotte ou le filtre.
 - Lorsque vous flambez des aliments sous la hotte, mettre le ventilateur en marche.

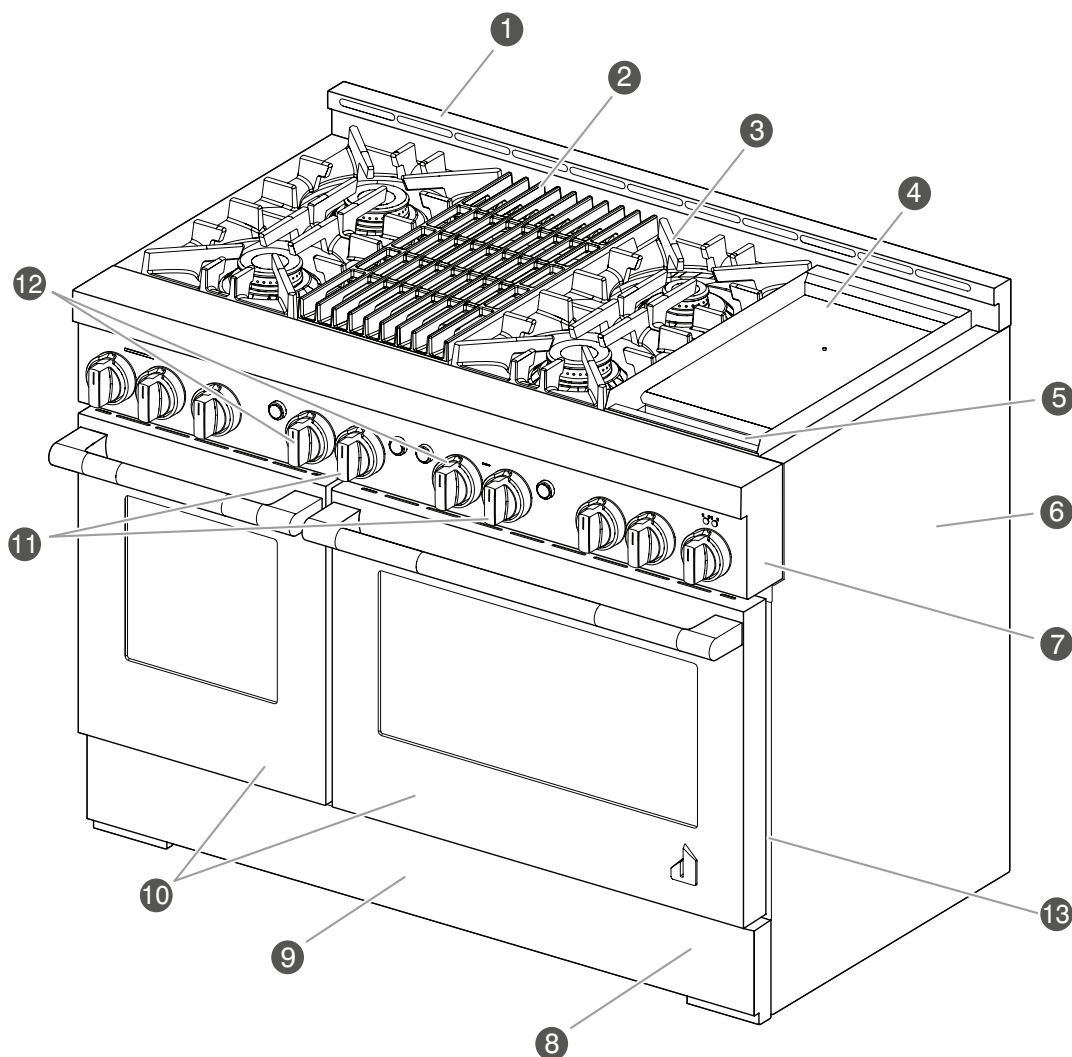
CONSERVEZ CES INSTRUCTIONS



Ces instructions couvrent plusieurs modèles différents. La cuisinière que vous avez achetée peut comporter l'ensemble des éléments énumérés ou seulement certains d'entre eux.

L'emplacement et l'apparence des caractéristiques illustrées peuvent ne pas correspondre à ceux de votre modèle.

CUISINIÈRE



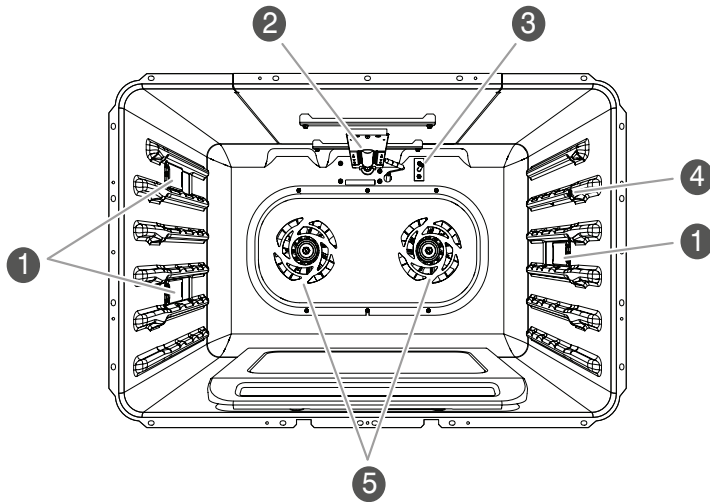
Modèle de 48 po (121,9 cm) illustré*

- | | |
|--|---|
| 1 Dosseret/évent du four | 8 Tiges de nivellement (derrière le garde-pieds) |
| 2 Gril (sur certains modèles) | 9 Panneau inférieur/garde-pieds |
| 3 Grille de la table de cuisson | 10 Portes du four |
| 4 Plaque à frire électrique (sur certains modèles) | 11 Boutons de température |
| 5 Plateau d'égouttement (sur modèles avec plaque à frire) | 12 Boutons de mode |
| 6 Panneaux latéraux | 13 Étiquette SAID |
| 7 Panneau de la console | |

*La configuration de la table de cuisson peut varier.



INTÉRIEUR DU FOUR



- 1 Lampes à halogène
- 2 Brûleur du gril
- 3 Capteur de la cavité du four
- 4 Connecteur de la sonde de cuisson
- 5 Ventilateurs de convection

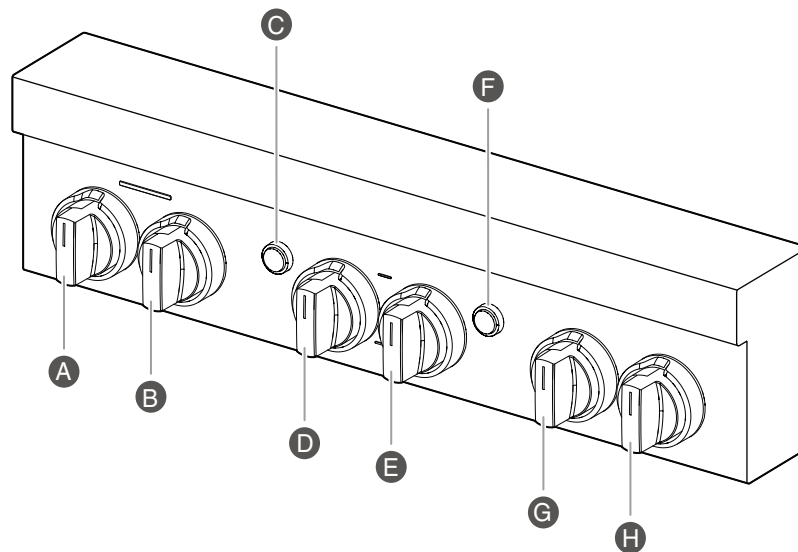
REMARQUE : Certains modèles sont munis d'une cavité de 18 po (45,7 cm) contenant un ventilateur de convection.

BOUTONS DE COMMANDE

Les fonctions du four et de la table de cuisson sont accessibles à partir des boutons de la table de cuisson.

30 PO (76,2 CM)

Boutons de la table de cuisson

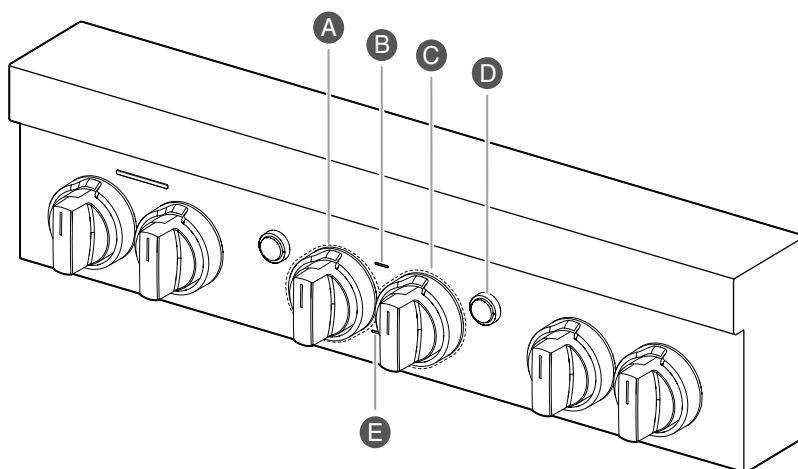


- A Bouton arrière gauche
- B Bouton avant gauche
- C Bouton de lumière du four
- D Bouton de mode
- E Bouton de température
- F Bouton de mise en marche du four
- G Bouton arrière droit
- H Bouton avant droit

REMARQUE : La configuration, les fonctions et les commandes de la table de cuisson peuvent être différentes.



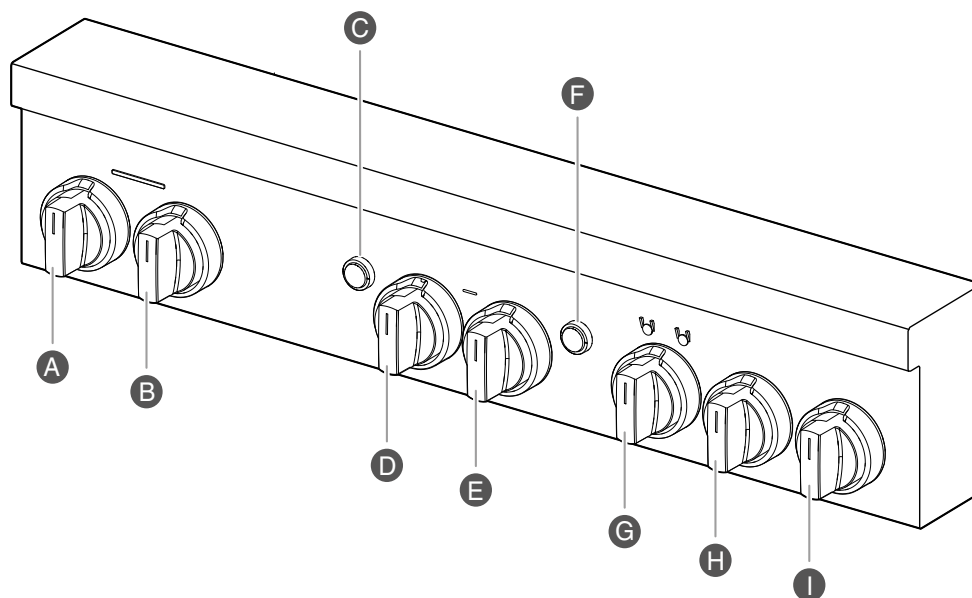
Témoins lumineux



- A** Témoïn lumineux du bouton de mode
- B** Témoïn de commande à distance
- C** Témoïn lumineux du bouton de température
- D** Témoïn lumineux du bouton de mise en marche
- E** Témoïn Wi-Fi

36 PO (91,4 CM)

Boutons de la table de cuisson



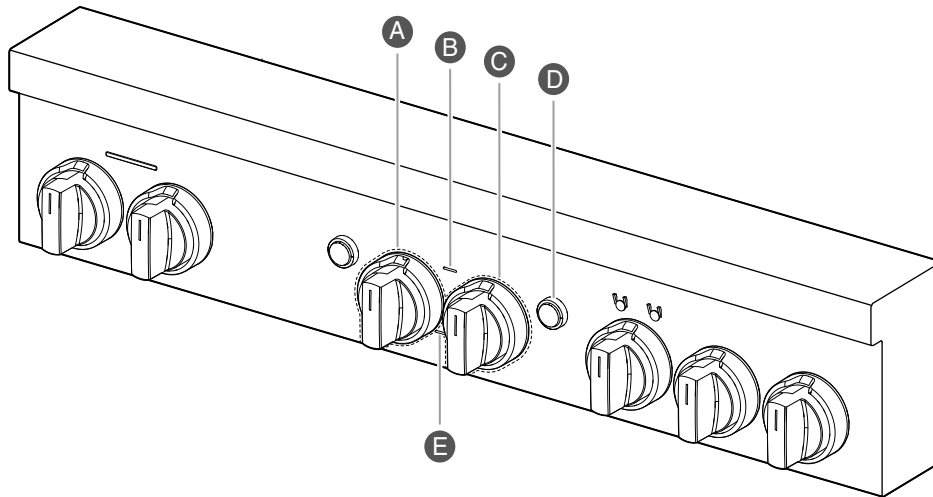
- A** Bouton arrière gauche
- B** Bouton avant gauche
- C** Bouton de lumière du four
- D** Bouton de mode
- E** Bouton de température
- F** Bouton de mise en marche du four
- G** Bouton de gril
- H** Bouton arrière droit
- I** Bouton avant droit

REMARQUE : La configuration, les fonctions et les commandes de la table de cuisson peuvent être différentes.



PIÈCES ET CARACTÉRISTIQUES

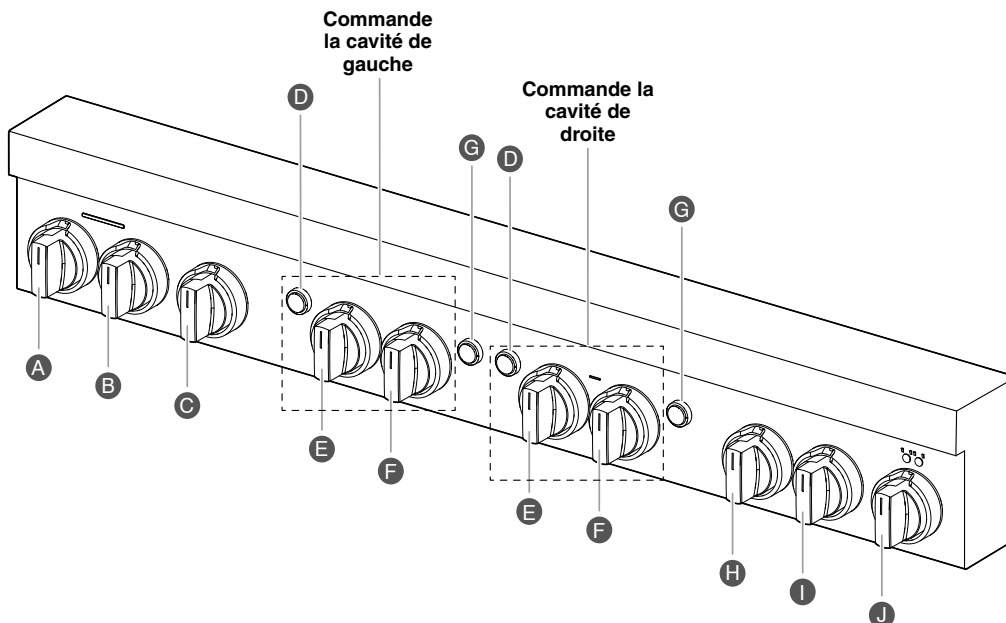
Témoins lumineux



- A** Témoin lumineux du bouton de mode
- B** Témoin de commande à distance
- C** Témoin lumineux du bouton de température
- D** Témoin lumineux du bouton de mise en marche
- E** Témoin Wi-Fi

48 PO (121,9 CM)

Boutons de la table de cuisson

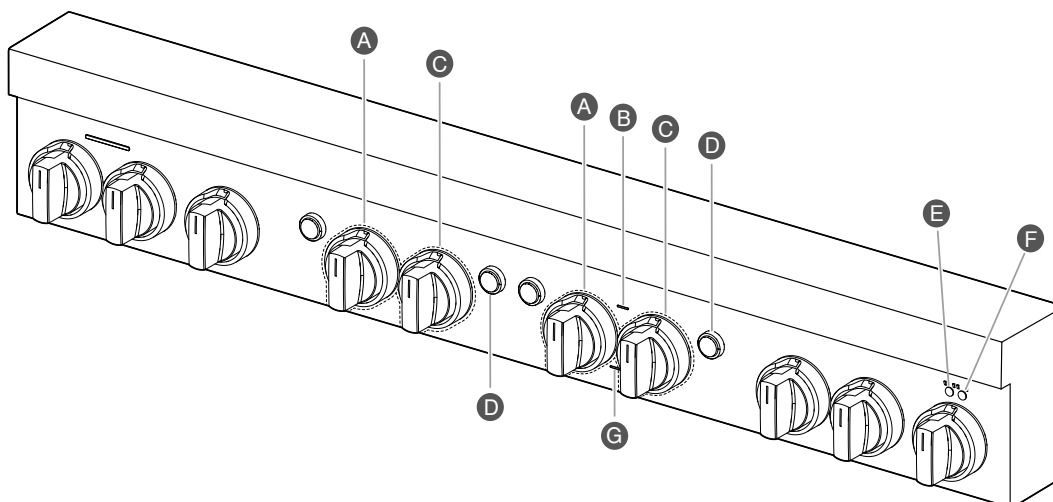


- A** Bouton arrière gauche
- B** Bouton avant gauche
- C** Bouton de grill
- D** Bouton de lumière du four
- E** Bouton de mode
- F** Bouton de température
- G** Bouton de mise en marche du four
- H** Bouton arrière central
- I** Bouton avant central
- J** Bouton de la plaque à frire

REMARQUE : La configuration, les fonctions et les commandes de la table de cuisson peuvent être différentes.



Témoins lumineux



- A** Témoin lumineux du bouton de mode
- B** Témoin de commande à distance
- C** Témoin lumineux du bouton de température
- D** Témoin lumineux du bouton de mise en marche
- E** Témoin de préchauffage de la plaque à frire
- F** Témoin lumineux d'allumage de la plaque à frire de la table de cuisson
- G** Témoin Wi-Fi

FONCTION	DESCRIPTION/COMPORTEMENT	INSTRUCTIONS
Bouton de mode	<ul style="list-style-type: none"> ■ BAKE (cuisson au four) ■ CONVECT BAKE (cuisson au four par convection) ■ CONVECT POULTRY (cuisson de volaille par convection) (cavité de gauche seulement) ■ CONVECT ROAST (rôtissage par convection) ■ CONVECT PASTRY (cuisson de pâtisseries par convection) ■ BROIL (Cuisson au grill) (cavité de droite seulement) ■ Wi-Fi ■ CLEAN (nettoyage) 	<p>Tourner le bouton pour sélectionner le mode de cuisson souhaité.</p> <p>REMARQUE : Lorsque l'appareil est en marche, le mode peut être placé entre cuisson au four, cuisson au four par convection, rôtissage par convection, et cuisson au grill/au grill par convection. Appuyer sur le bouton de mise en marche pour confirmer le changement de mode.</p>
Témoin lumineux du bouton de mode	<p>Lorsqu'un mode de cuisson est sélectionné et que le bouton de température est dans une position valide, les témoins de mode et de température s'illumineront en blanc.</p> <p>Après avoir appuyé sur le bouton de mise en marche, le témoin de bouton continuera à clignoter blanc jusqu'à ce que le préchauffage soit terminé. Le témoin s'allumera en blanc fixe et une tonalité résonnera une fois le préchauffage terminé.</p> <p>S'il n'y a pas de préchauffage pendant un programme, le préchauffage se termine immédiatement et le témoin s'allume en blanc fixe.</p> <p>REMARQUE : Si une combinaison invalide de mode et de température a été sélectionnée, les témoins de boutons clignoteront et une tonalité résonnera pour demander à l'utilisateur de choisir une combinaison valide. Le témoin lumineux continuera à clignoter et une tonalité retentira toutes les 30 secondes jusqu'à ce que l'erreur soit résolue ou qu'une durée de 2 minutes d'inactivité se soit écoulée.</p>	



PIÈCES ET CARACTÉRISTIQUES

FONCTION	DESCRIPTION/COMPORTEMENT	INSTRUCTIONS
Bouton de température	<ul style="list-style-type: none">■ OFF (arrêt)■ PROOF (levée)■ KEEP WARM (maintien au chaud) <Plage de températures> <ul style="list-style-type: none">■ BROIL LOW (cuisson au gril à basse température) (cavité de droite seulement)■ BROIL HIGH (cuisson au gril à température élevée) (cavité de droite seulement)■ SLOW BAKE LOW (cuisson au four à basse température) (cavité de gauche seulement)■ SLOW BAKE HIGH (cuisson au four à température élevée) (cavité de gauche seulement)■ Wi-Fi■ CLEAN (nettoyage)	Tourner le bouton pour sélectionner la température de cuisson ou le réglage souhaité.
Témoin lumineux du bouton de température	<p>Lorsqu'une température ou un réglage est sélectionné et que le mode est valide, les témoins de température et de mode s'illumineront en blanc.</p> <p>Après avoir appuyé sur le bouton de mise en marche, le témoin de bouton continuera à clignoter blanc jusqu'à ce que le préchauffage soit terminé. Le témoin s'allumera en blanc fixe et une tonalité résonnera une fois le préchauffage terminé.</p> <p>S'il n'y a pas de préchauffage pendant un programme, le préchauffage se termine immédiatement et le témoin s'allume en blanc fixe.</p> <p>REMARQUE : Si une combinaison invalide de mode et de température a été sélectionnée, le témoin de bouton clignotera et une tonalité résonnera pour demander à l'utilisateur de choisir une combinaison valide. Le témoin lumineux continuera à clignoter et une tonalité retentira toutes les 30 secondes jusqu'à ce que l'erreur soit résolue ou qu'une durée de 2 minutes d'inactivité se soit écoulée.</p> <p>Le bouton de température clignotera en orange si le four est trop chaud pour le levée ou si une baisse de température de plus de 100 degrés est en cours. C'est-à-dire, changer d'une cuisson de 450 °F à 350 °F (177 °C à 232 °C).</p>	
Bouton de mise en marche	Met en marche une fonction dès qu'une température ou un mode valide a été sélectionné.	<ol style="list-style-type: none">1. Choisir une fonction de four en tournant le bouton de mode et le bouton de température aux sélections souhaitées. REMARQUE : Le bouton de mise en marche clignotera en blanc pour indiquer à l'utilisateur qu'il doit appuyer sur ce bouton. REMARQUE : Lorsque l'appareil est en marche, le mode peut être placé entre cuisson au four, cuisson au four par convection, rôtissage par convection, et cuisson au gril/au gril par convection. Appuyer sur le bouton de mise en marche pour confirmer le changement de mode.2. Appuyer sur le bouton de mise en marche pour démarrer la fonction du four.

PIÈCES ET CARACTÉRISTIQUES



FONCTION	DESCRIPTION/COMPORTEMENT	INSTRUCTIONS
Témoin lumineux du bouton de mise en marche	Le témoin lumineux du bouton de mise en marche clignotera en blanc pour indiquer à l'utilisateur qu'il doit appuyer sur ce bouton.	
Bouton de lumière du four	Met en marche et éteint la lumière du four.	Appuyer sur le bouton de lumière du four permet d'allumer et d'éteindre la lumière. Le bouton permet d'allumer et d'éteindre la lumière, que la porte soit ouverte ou non.
Témoin lumineux Wi-Fi	Le témoin lumineux Wi-Fi s'allume en blanc lorsque la connexion Wi-Fi avec l'appareil est activée.	Tous les témoins s'éteignent en mode veille.
Témoin lumineux d'utilisation à distance	Le témoin lumineux d'utilisation à distance s'allume en blanc lorsque la commande à distance de l'appareil est activée.	Tous les témoins s'éteignent en mode veille.
Témoin lumineux d'allumage de la plaque à frirer de la table de cuisson	Témoin lumineux de plaque à frirer droite – Le témoin de plaque à frirer de la table de cuisson en marche s'allume en bleu lorsque le bouton de la plaque à frirer est en marche.	
Témoin de préchauffage de la plaque à frirer	Témoin lumineux de plaque à frirer gauche – Le témoin de préchauffage de la plaque à frirer clignote en bleu lors du préchauffage de la plaque à frirer. Une fois la température de préchauffage atteinte, le témoin lumineux s'allume en bleu fixe.	



CARACTÉRISTIQUES DE LA TABLE DE CUISSON

BRÛLEURS

⚠ AVERTISSEMENT



Risque d'incendie

La flamme d'un brûleur ne devrait pas dépasser le bord du récipient de cuisson.

Fermer tous les réglages lorsque la cuisson est terminée.

Le non-respect de ces instructions peut causer un décès ou un incendie.

- Vérifier que le bouton de brûleur est complètement enfoncé sur la tige de la soupape. Si l'allumeur ne fonctionne toujours pas, appeler un technicien de réparation qualifié.
- Lorsque le bouton de brûleur est activé, le brûleur désiré est tourné à la position IGNITE (allumage), ce brûleur émet des dé clics indépendamment des autres brûleurs.

NE PAS OUBLIER : Lors de l'utilisation de la cuisinière ou durant le programme d'autonettoyage, toute la surface de cuisson peut devenir chaude.

Caractéristique de rallumage Flame-Sensing™

Durant l'utilisation de la table de cuisson, si un ou plusieurs brûleurs s'éteignent en raison de causes extérieures (tel qu'un renversement de liquide, un courant d'air ou un mouvement d'air lié à l'aspiration), le système d'allumage s'active pour rallumer la flamme. Lorsque la flamme réapparaît, la production d'étincelles cesse. Si l'on n'élimine pas le courant d'air dans la pièce, la production épisodique d'étincelles peut se poursuivre. Une production d'étincelles peut aussi se produire occasionnellement lorsqu'on utilise le débit thermique minimal sur l'un des brûleurs.

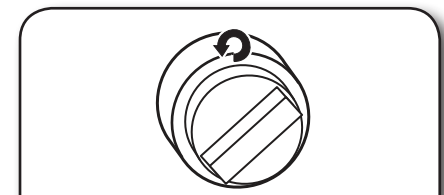
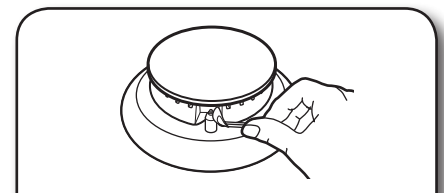
Pour régler un brûleur :

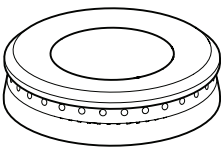
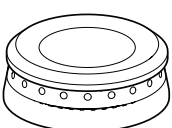
<p>1. Pousser et tourner dans le sens antihoraire</p>  <p>pour ALLUMER.</p>	<p>2. Tourner le bouton dans le sens antihoraire</p>  <p>entre Hi (élevé) et Lo (faible).</p>
---	--

Turner le bouton encore plus loin dans le sens antihoraire vers Simmer Hi et Lo (mijotage élevé et faible).

En cas de panne de courant

Tenir une allumette allumée près d'un brûleur et tourner le bouton dans le sens antihoraire à Hi (élevé). Une fois le brûleur allumé, tourner le bouton au réglage souhaité.



BTU/hr	APPARENCE DU BRÛLEUR	CARACTÉRISTIQUES
Gros brûleurs superposés		Ce brûleur est muni d'une flamme supérieure et inférieure. Le réglage ÉLEVÉ permet d'utiliser les deux flammes à puissance maximale pour offrir la plus grande chaleur. Il est idéal pour la cuisson de grandes quantités d'aliments ou de liquides ou lors de l'utilisation de grandes marmites et casseroles. Les réglages de mijotage ÉLEVÉ et FAIBLE n'utilisent que la flamme du bas.
Petit brûleur		Ce brûleur est recommandé pour cuisiner de plus petites quantités d'aliments et pour faire fondre le chocolat ou le beurre.

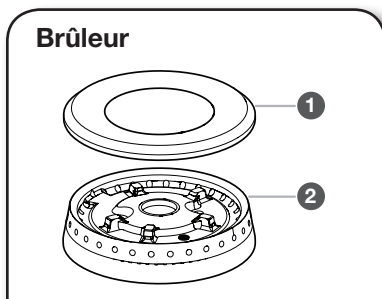
Allumer les brûleurs :

- Les allumeurs électriques allument automatiquement les brûleurs de surface quand les boutons de brûleurs sont placés sur IGNITE (allumage).
- Avant d'utiliser un bouton de brûleur, placer un ustensile de cuisson plein sur la grille. Ne pas faire fonctionner un brûleur avec un ustensile de cuisson vide ou sans ustensile de cuisson sur la grille.
- Vérifier visuellement que le brûleur est allumé. Si le brûleur ne s'allume pas, écouter pour savoir si un dé clic se produit. Si l'allumeur n'émet aucun dé clic, éteindre le brûleur. Vérifier si le disjoncteur ne s'est pas déclenché ou si un fusible n'est pas grillé.



BRÛLEURS DE SURFACE SCELLÉS

Les brûleurs de surface scellés sont conçus pour réduire les espaces et joints qui pourraient permettre aux liquides et éclaboussures d'atteindre l'espace sous la table de cuisson. Cette conception rend le nettoyage simple et rapide.

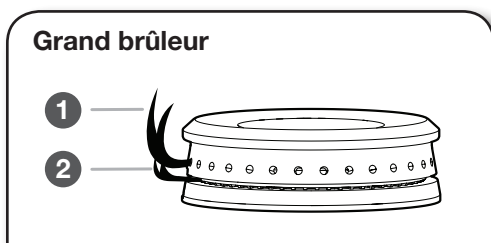


- 1 Chapeau de brûleur
- 2 Base du brûleur

IMPORTANT : Ne pas entraver l'évacuation de l'air de combustion et de ventilation autour des bords des grilles de brûleur.

Chapeau de brûleur : Toujours garder le chapeau de brûleur en place lorsqu'un brûleur de surface est utilisé. Un chapeau de brûleur propre aide à empêcher le mauvais allumage et les flammes irrégulières. Toujours nettoyer le chapeau du brûleur après un renversement ; enlever et nettoyer régulièrement les chapeaux comme indiqué à la section "Entretien et nettoyage".

Ouverture de gaz : Pour que le brûleur s'allume convenablement, le gaz doit pouvoir circuler librement à travers l'orifice de gaz. Garder cette zone propre et ne pas laisser de renversements, d'aliments, d'agents de nettoyage ou tout autre produit pénétrer dans l'ouverture de gaz. Toujours utiliser un chapeau de brûleur pour protéger l'ouverture de gaz contre tout renversement.



- 1 Flamme supérieure (principal)
- 2 Débit thermique minimum (flamme de mijotage)

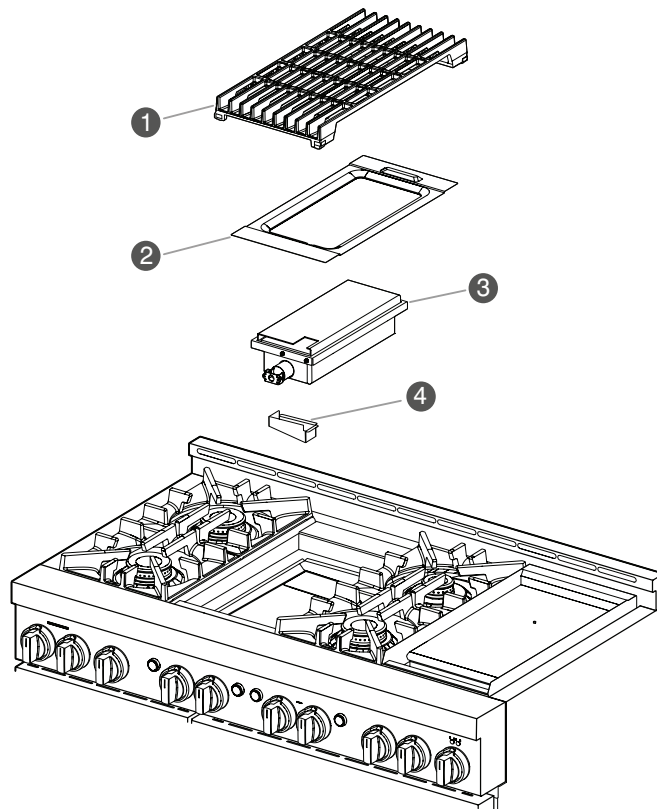
Orifices de brûleur :

Examiner occasionnellement les flammes des brûleurs pour en vérifier la taille et la forme comme indiqué ci-dessus. Une bonne flamme est bleue plutôt que jaune. Garder cette zone exempte de souillures et ne pas laisser les produits renversés, les aliments, les agents de nettoyage ou d'autres produits pénétrer dans les orifices de brûleur.

GRIL (sur certains modèles)

Le module du gril est constitué d'une grille en fonte, d'un brûleur, d'un déflecteur et d'un plateau d'égouttement.

REMARQUE : Le brûleur ne peut être enlevé et ne doit pas être enlevé, sauf par un technicien qualifié.



- 1 Grille
- 2 Déflecteur
- 3 Ensemble de brûleur
- 4 Plateau d'égouttement

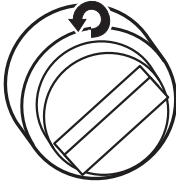
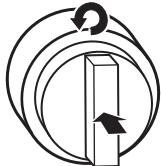
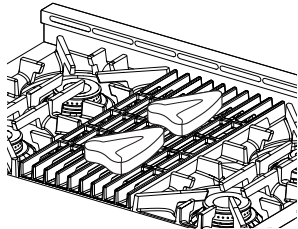
Lors de l'utilisation du gril, suivre les directives ci-dessous :

- Enlever l'excès de graisse pour réduire les éclaboussures. Entailler le gras résiduel sur les côtés pour éviter que la viande ne se recroqueville.
- Laisser de la place entre les aliments sur le gril. Placer les aliments trop proches les uns des autres entraînera une cuisson irrégulière.
- Pour obtenir un résultat uniforme, centrer les aliments sur la grille, directement au-dessus de la source de chaleur.
- Utiliser une spatule métallique ou des pinces pour retourner les aliments.
- Pour une cuisson plus uniforme, les aliments tels que les quarts de poulet doivent être retournés plusieurs fois.
- Pour vérifier le degré de cuisson des viandes et de la volaille, utiliser un thermomètre à lecture instantanée ou faire une petite entaille au centre de l'aliment.
- Ne pas laisser le gril sans surveillance pendant la cuisson.
- Afin d'éviter d'endommager le gril, ne pas utiliser de papier aluminium, de charbon ou de copeaux de bois.
- Afin d'éviter d'endommager les ustensiles de cuisson, ne pas les placer sur le gril lorsque celui-ci n'est pas utilisé. Les aliments doivent être cuits directement sur la grille du gril.

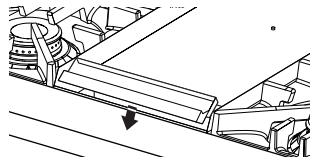
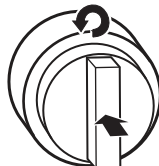
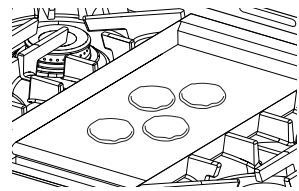


CARACTÉRISTIQUES DE LA TABLE DE CUISSON

Utilisation :

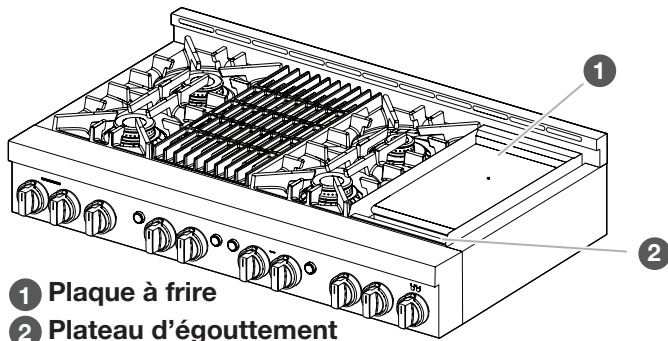
<p>1. Mettre la hotte d'évacuation au-dessus de la cuisinière en marche.</p>	<p>3. Tourner le bouton à ON (mise en marche)</p>  <p>et laisser le gril préchauffer.</p>
<p>2. Pousser et tourner le bouton</p>  <p>pour ALLUMER. La flamme s'allume en 1 à 4 secondes.</p>	<p>4. Placer les aliments sur le gril.</p> 

Utilisation :

<p>1. Placer le plateau d'égouttement.</p> 	<p>3. Attendre que le témoin de préchauffage reste solide, ce qui indique que la plaque à frire a atteint la température de préchauffage.</p>
<p>2. Pousser et tourner le bouton</p>  <p>à la température désirée.</p>	<p>4. Mettre les aliments sur la plaque à frire</p>  <p>et cuir jusqu'à la cuisson désirée.</p>

PLAQUE À FRIRE CHROMÉE (sur certains modèles)

La plaque à frire électrique chromée offre la surface de cuisson par excellence pour les sandwichs grillés, les crêpes, les œufs, les hamburgers, les sautés de légume et plusieurs autres plats préférés de la famille. La surface à faible adhérence de belle apparence est conçue pour faciliter le nettoyage.



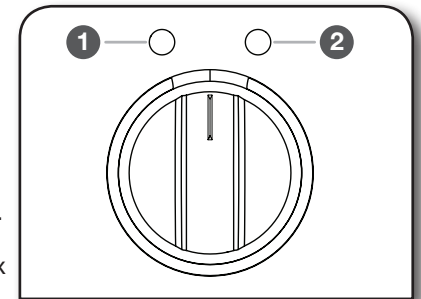
- 1 Plaque à frire
- 2 Plateau d'égouttement

Le système de plaque à frire électrique chromée fournit une surface de cuisson pratique.

- Vérifier que la pellicule de plastique a bien été retirée et que la surface a été lavée à l'eau chaude avant la première utilisation.
- Afin d'éviter d'égratigner la plaque à frire, ne pas placer de casseroles ou de poêles sur la plaque à frire. N'utiliser que des ustensiles en plastique résistant à la chaleur ou en bois.
- La surface de la plaque à frire est prête à l'emploi et ne nécessite pas de préparation.
- Le fait de verser de l'eau froide sur une plaque à frire chaude peut déformer la plaque à frire et produire une surface de cuisson irrégulière.

Le témoin lumineux de plaque à frire gauche indique que la plaque est alimentée.

Le témoin lumineux de la plaque à frire droite clignote pour indiquer que la plaque à frire préchauffe. Une fois le préchauffage terminé, le témoin lumineux de la plaque à frire de droite reste solide.



- 1 Témoin de préchauffage de la plaque à frire
- 2 Témoin lumineux d'allumage de la plaque à frire de la table de cuisson

Tableau de cuisson

Les réglages et durées de cuisson sont cités à titre indicatif seulement et peuvent être modifiés en fonction des goûts personnels.

ALIMENT	TEMPÉRATURE	DURÉE DE CUISSON (EN MINUTES)
Pain grillé/crêpes	350 °F (175 °C)	4-10
Œufs	250 °F (120 °C)	7-10
Viandes	350 °F (175 °C)	10-20
Pommes de terre	350 à 450 °F (175 à 230 °C)	10-20
Poisson	250 à 350 °F (120 à 175 °C)	8-15



BOUTONS DE COMMANDE DU FOUR

Utilisation :

1. Sélectionner la fonction désirée à l'aide du bouton de mode.
2. Sélectionner la température désirée à l'aide du bouton de température.
3. Pour éteindre l'appareil, le bouton de température doit être placé sur OFF (arrêt).

Combinaisons de boutons

Le tableau suivant présente les combinaisons valides et non valides de boutons de température et de mode.

BOUTON DE MODE	BOUTON DE TEMPÉRATURE							CLEAN (net- toyage)	Wi-Fi
	PROOF (levée)	KEEP WARM (main- tien au chaud)	PLAGE DE TEMPÉRA- TURE (225 à 500 °F)	BROIL LOW (cuis- son au gril à basse tem- péra- ture)	BROIL HIGH (cuis- son au gril à tem- péra- ture élevée)	SLOW BAKE L (CUIS- SON LENTE à tem- pérature faible) (200 °F)	SLOW BAKE H (CUIS- SON LENTE à tem- pérature élevée) (275 °F)		
Bake (cuisson au four)	Valide	Valide	Valide	Invalide	Invalide	Valide	Valide	Invalide	Invalide
Convect Bake (cuisson au four par convection)	Invalide	Invalide	Valide	Invalide	Invalide	Valide	Valide	Invalide	Invalide
Convect Roast (rôtissage par convection)	Invalide	Invalide	Valide	Invalide	Invalide	Valide	Valide	Invalide	Invalide
Convect Pastry (cuisson de pâtisseries par convection)	Invalide	Invalide	Valide	Invalide	Invalide	Valide	Valide	Invalide	Invalide
Convect Poultry (cuisson de volaille par convection) (cavité de 18 po seulement)	Invalide	Invalide	Valide	S.O.	S.O.	Valide	Valide		
Broil/Convect Broil (gril/gril par convection) (cavités de 30 po et 36 po seulement)	Invalide	Invalide	Invalide	Valide	Valide	S.O.	S.O.	Invalide	Invalide
Self Clean (autonettoyage)	Invalide	Invalide	Invalide	Invalide	Invalide	Invalide	Invalide	Valide	Invalide
Wi-Fi	Invalide	Invalide	Invalide	Invalide	Invalide	Invalide	Invalide	Invalide	Valide

REMARQUE : Lorsque l'appareil est en marche, le mode peut être modifié entre cuisson au four, cuisson au four par convection, cuisson de pâtisseries par convection, cuisson de volaille par convection (cavité de gauche seulement) et gril (cavité de droite seulement). Appuyer sur le bouton de mise en marche pour confirmer le changement de mode.



TÉMOINS LUMINEUX

Les témoins lumineux s'illuminent et clignotent pour afficher l'état de l'appareil.

COMPORTEMENT	DESCRIPTION/EXEMPLES	EXEMPLES
Témoin qui pulse/clignote	<p>Un témoin qui clignote est utilisé sur le bouton de mode, de température et de mise en marche pour demander une action.</p> <p>Lorsqu'une action doit être exécutée, le témoin lumineux correspondant clignotera.</p> <p>Exemples :</p> <p>Occurrence : Demande d'action, appuyer sur le bouton de mise en marche</p> <p>Résultat : Le témoin lumineux du bouton de mise en marche clignote rapidement</p> <p>Occurrence : Réduction de la température de 100 °F (38 °C) requise ou four trop chaud pour faire lever</p> <p>Résultat : Le témoin lumineux de bouton clignote lentement jusqu'à ce que le four soit à la bonne température pour faire lever</p>	<p>Il existe deux types de pulsations :</p> <ol style="list-style-type: none"> 1. Bouton de mise en marche Clignotement rapide : demande une action. 2. Bouton de température/mode Clignotement blanc lent : préchauffage Clignotement ambre lent : L'appareil est au-dessus de la température cible. <p>Lorsqu'un programme demande un préchauffage, le clignotement lent commence. Lorsque la température de préchauffage est atteinte, le clignotement s'arrête et les témoins lumineux de mode/température resteront solides.</p>
Témoin de bouton de température et de mode – clignotement lent	<p>Les témoins de mode et de température clignotent lentement pour indiquer que la fonction est en utilisation.</p>	<p>Un clignotement lent indique que la fonction est utilisée et qu'aucune autre action n'est requise p. ex., l'appareil préchauffe.</p>
Bouton de mise en marche – Sélection invalide (clignotement rapide)	<p>Si une combinaison invalide de boutons est sélectionnée et qu'on appuie sur le bouton de mise en marche, le témoin lumineux du bouton de mise en marche clignotera rapidement et une tonalité se fera entendre pour indiquer que la sélection est invalide.</p> <p>Voir le tableau "Combinaisons de boutons" pour obtenir des exemples.</p>	<p>Bouton de mode sur cuisson au four et Boutons de température sur Wi-Fi.</p>
Bouton de température/mode – sélection invalide (clignotement rapide)	<p>Si une combinaison de boutons invalide a été sélectionnée, les témoins lumineux des boutons de mode et de température clignoteront rapidement en blanc. Le témoin lumineux continue à rapidement clignoter en blanc et une tonalité retentira toutes les 30 secondes jusqu'à ce que l'erreur soit résolue ou qu'une durée de 2 minutes d'inactivité se soit écoulée.</p> <p>Voir le tableau "Combinaisons de boutons" pour obtenir des exemples.</p>	<p>Bouton de mode sur cuisson au four et Boutons de température sur Wi-Fi.</p>
Demande d'action – inactivité (clignotement rapide)	<p>Lorsqu'une combinaison valide de boutons a été sélectionnée, le témoin lumineux du bouton de mise en marche clignote pour indiquer qu'il faut appuyer sur le bouton de mise en marche.</p> <p>Si aucune action n'est effectuée après 2 minutes, une tonalité résonnera et l'appareil se mettra en veille.</p> <p>Pour réveiller l'appareil, sélectionner de nouveau un mode et une température avant d'appuyer sur le bouton de mise en marche.</p>	<p>Un clignotement rapide indique qu'une combinaison rapide a été sélectionnée et qu'une action est requise p. ex., le mode est sur cuisson au four et la température est à 350 °F (177 °C), mais on n'a pas encore appuyé sur le bouton de mise en marche.</p>
Retard de vérification de validité	<p>L'appareil effectue une vérification de validité pour s'assurer que la combinaison de température et de mode sélectionnés est valide.</p> <p>Si une combinaison valide a été sélectionnée, les témoins lumineux des boutons de mode/température s'illumineront en blanc et le bouton de mise en marche commencera à clignoter rapidement pour demander une action.</p> <p>Si une combinaison invalide a été sélectionnée, les témoins lumineux de boutons clignoteront pour indiquer que la combinaison de mode et de température n'est pas valide.</p>	<p>Consulter la section "Combinaisons de boutons" pour plus d'informations.</p> <p>Si on appuie trop rapidement sur le bouton de mise en marche pendant la vérification de validité, le témoin lumineux du bouton de mise en marche clignotera rapidement pour indiquer une sélection non valide.</p>



COMPORTEMENT	DESCRIPTION/EXEMPLES	EXEMPLES
Sélection invalide de température effectuée pendant un programme	Si le bouton de température est changé de position pendant un programme vers une sélection invalide, l'appareil restera au mode sélectionné précédemment jusqu'à ce qu'il y ait correction. Les témoins lumineux de boutons clignoteront pour indiquer une sélection invalide et continueront à clignoter jusqu'à la correction.	Le mode est à cuisson au four, la température est à 350 °F (177 °C), on a appuyé sur le bouton de mise en marche et le programme fonctionne. Puis la température est placée sur nettoyage. L'appareil continue à cuire à 350 °F (177 °C).
Changement de mode pendant un programme	Si la position du bouton de mode est modifiée pendant un programme vers une sélection valide, le bouton de mise en marche clignotera pour indiquer qu'une action est requise. Appuyer sur le bouton de mise en marche pour lancer le nouveau mode sélectionné.	Si le bouton de mode est déplacé de cuisson au four à cuisson au four par convection, le bouton de mise en marche clignotera pour demander une action.
Changement de température pendant un programme	Si la position du bouton de température est modifiée pendant un programme vers une sélection valide, le bouton de mise en marche clignotera pour indiquer qu'une action est requise.	Si la température pendant un mode de cuisson au four est déplacée de 350 °F à 450 °F (177 °C à 232 °C), l'appareil commencera à cuire à 450 °F (232 °C).

Un signal sonore retentit lorsque :

- L'appareil est alimenté
- L'appareil passe au mode fermé
- Une température et un mode valides sont sélectionnés et on a appuyé sur le bouton de mise en marche pour lancer le programme
- Une sélection invalide du bouton de mise en marche a été effectuée
- Il y a une erreur avec l'appareil
- Le préchauffage est terminé
- La minuterie de l'application s'est terminée (la tonalité retentira toutes les cinq minutes jusqu'à ce que la minuterie soit arrêtée)
- Un événement Wi-Fi se produit
- La sonde de cuisson est branchée/débranchée.



UTILISATION DU FOUR

Mode Sabbat

- Le mode Sabbat est utilisé pour configurer le système du four de façon à ce que certaines caractéristiques et certains modes soient supprimés ou désactivés.
- Le mode Sabbat permet au four de continuer à fonctionner sur un réglage de cuisson au four jusqu'à ce qu'on l'éteigne.
- Aucune tonalité ne résonne lorsqu'on appuie sur un bouton.
- Tous les sons et toutes les alertes sont désactivés durant un mode Sabbat. Tous les témoins restent dans leur état ou lorsque le mode Sabbat est activé. Par exemple, si la lampe du four est allumée lorsque l'utilisateur active le mode Sabbat, la lampe reste allumée pendant la période complète du mode Sabbat.
- Lorsque la porte du four est ouverte ou fermée, la lampe du four ne s'allume ou ne s'éteint pas et les éléments de chauffage ne s'allument ou ne s'éteignent pas immédiatement.
- Si une panne de courant se produit lorsque le mode Sabbat est programmé, le four restera au mode Sabbat, mais ne sera plus en mode actif de cuisson.
- Il faut entrer en mode Sabbat chaque fois qu'il est utilisé.
- Le mode Sabbat désactive l'arrêt au bout de 12 heures. Toutes les lumières et les affichages sont désactivés de sorte qu'il n'y a aucune activité visible lorsque l'on ouvre la porte du four.

Pour accéder au mode Sabbat :

- Tourner le bouton de mode à la position de cuisson au four. Le bouton de température doit rester à la position OFF (arrêt).

REMARQUE : Valide seulement en position de mode de cuisson.

- Appuyer sur le bouton de mise en marche sept fois de suite en dix secondes.

REMARQUE : S'il s'agit d'un four double, les deux fours passeront en mode Sabbat.

- Les boutons de mise en marche des deux fours s'illuminent jusqu'à ce qu'on quitte le mode Sabbat.

Utilisation du mode de cuisson au four Sabbat :

- En mode Sabbat, seul le mode de cuisson au four peut être utilisé. Sélectionner la température souhaitée pour chaque four disponible et appuyer sur le bouton de mise en marche.

REMARQUE : La température peut être modifiée pendant le mode Sabbat.

- Si le mode de cuisson au four Sabbat est désactivé sur un four, l'autre four restera activé en mode Sabbat.

- Si un four est désactivé en tournant le bouton de température sur OFF (arrêt), il ne peut pas être remis en marche.

REMARQUE : Avant d'utiliser le mode Sabbat une fois que la connexion au Wi-Fi est établie, vérifier que l'application est désactivée.

Pour quitter le mode Sabbat :

- Tourner un bouton de température sur la position OFF (arrêt). Le bouton de mode doit rester à la position de cuisson au four.
- Appuyer sur le bouton de mise en marche sept fois de suite en dix secondes. Après quelques secondes, le témoin lumineux de mise en marche s'éteindra.
- Si on quitte le mode Sabbat dans un four, l'autre four quittera aussi le mode Sabbat.

Connexion Wi-Fi et utilisation à distance

Les modèles comprennent un module Wi-Fi qui permet à l'appareil d'être utilisé à distance. La commande est capable de surveiller et d'effectuer les opérations à distance suivantes une fois la séquence de la fonction d'utilisation à distance activée est correctement lancé dans l'appareil. Voir la section "Utilisation à distance" pour plus de renseignements.

Appuyer sur le bouton de mise en marche lorsque la commande à distance de l'appareil est activée.

Télécharger l'application

La première étape pour connecter votre appareil est de télécharger l'application sur votre appareil mobile. L'application vous guidera pour effectuer les différentes étapes. Télécharger l'application en visitant la boutique iTunes® ou Google Play®.

Pour connecter votre appareil :

1. Télécharger l'application JennAir® à partir de Google Play® ou iTunes®.
2. Suivre les indications dans l'application pour créer un compte.

Ajouter un appareil

1. Tourner les boutons de mode et de température à la position Wi-Fi.
2. Trouvez le code SAID sur votre appareil. Le code SAID peut être balayé ou saisi à la main.

REMARQUE : L'étiquette SAID se trouve dans la partie inférieure droite du panneau latéral avant.

3. Suivre les instructions de l'application.

Activation à distance

Une fois l'application connectée, utiliser la fonction d'activation à distance pour commander des fonctions de l'appareil à partir de l'appareil comme :

- Accéder au four à partir d'un appareil mobile
- Régler et préchauffer le four, peu importe où vous êtes
- Surveiller la progression de la cuisson
- Régler la durée et la température de cuisson

Un programme de cuisson ne s'arrête pas lorsque la porte est ouverte. L'activation à distance restera active.

REMARQUE : L'application ignore toute sélection effectuée à l'aide d'un bouton pendant que l'activation à distance est activée. Si les boutons de température et de mode sont sélectionnés et que l'appareil est activé à distance, l'application commandera les fonctions du four.

Voir le "Guide de connexion Internet" pour plus d'informations.

§iTunes® est une marque enregistrée de Apple Inc.

‡Google Play® est une marque enregistrée de Google Inc.



Fonctions de l'application

L'application JennAir® place les commandes de votre appareil connecté au bout de vos doigts.

- Accéder au centre culinaire de JennAir®
- Régler la température et la minuterie de cuisson

Préchauffer, vérifier l'état de cuisson et configurer les fonctions du four à distance en utilisant l'application JennAir® sur votre appareil iOS ou Android®†.

Assistant maison/à l'extérieur de JennAir

Alerte automatiquement les utilisateurs que le four est utilisé lorsqu'il est réglé sur "À l'extérieur". Si le four fonctionne lorsque la maison est placée sur "À l'extérieur", l'application alertera l'utilisateur et offrira l'option d'éteindre le four.

UTILISATION DU FOUR

Des odeurs et de la fumée sont normales lorsque le four est utilisé les premières fois et lorsqu'il est très sale.

Lors de l'utilisation du four, les éléments de chauffage ne sont pas actifs, mais fonctionnent par intermittence lors du fonctionnement du four.

IMPORTANT : La santé de certains oiseaux est très sensible aux émanations de fumée. L'exposition aux émanations peut entraîner la mort de certains oiseaux. Toujours déplacer les oiseaux dans une autre pièce fermée et bien aérée.

Papier d'aluminium

IMPORTANT : Pour éviter des dommages permanents au fini du fond du four, ne pas recouvrir le fond avec du papier d'aluminium ou un revêtement quelconque.

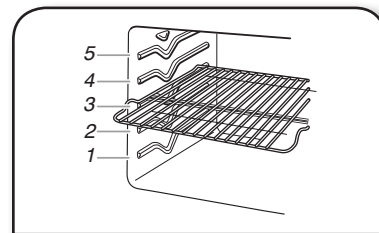
- Pour obtenir les meilleurs résultats de cuisson, ne pas couvrir la grille d'aluminium, car l'air doit pouvoir circuler librement.
- Pour récupérer les renversements, placer du papier d'aluminium sur la grille sous le plat. S'assurer que l'aluminium est au moins 1/2 po (1,3 cm) plus grand que le plat et que les bords sont relevés.

Positionnement des grilles et des ustensiles de cuisson au four

IMPORTANT : Afin d'éviter des dommages permanents au fini en porcelaine, ne pas placer d'aliments ou d'ustensiles de cuisson au four directement sur la porte ou sur le fond du four.

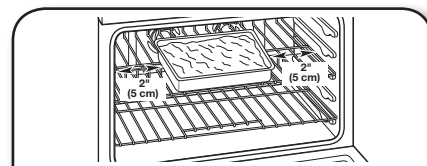
Grilles

- Placer les grilles avant d'allumer le four.
- Ne pas installer les grilles lorsque des ustensiles de cuisson au four se trouvent dessus.
- S'assurer que les grilles sont horizontales.
- Lors du positionnement de grilles à des niveaux adjacents, commencer par installer la grille du bas.



Ustensiles de cuisson

Pour cuire des aliments de façon égale, placer le plat au centre sous l'élément de cuisson au gril et laisser 2 po (5,0 cm) d'espace autour du plat et avec les parois du four pour assurer une bonne circulation d'air.

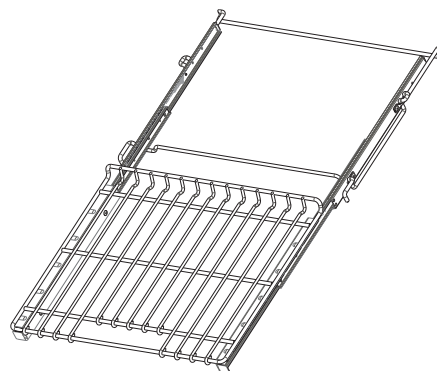


Grille déployante

REMARQUE : Pas disponible sur les modèles sélectionnés.

Cette grille déployante offre un accès facile à l'utilisateur pour le positionnement et le retrait des aliments. La grille déployante s'adapte à toutes les positions de grille.

Position déployée

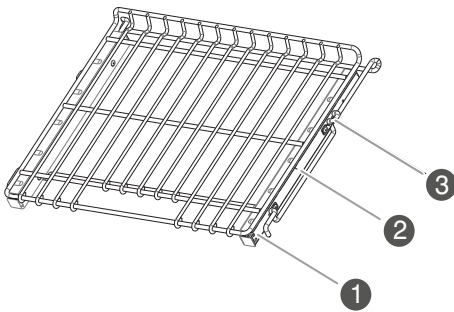


†Android® est une marque enregistrée de Google Inc.



UTILISATION DU FOUR

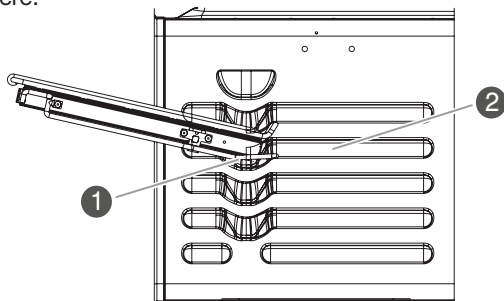
Position rétractée et emboîtée



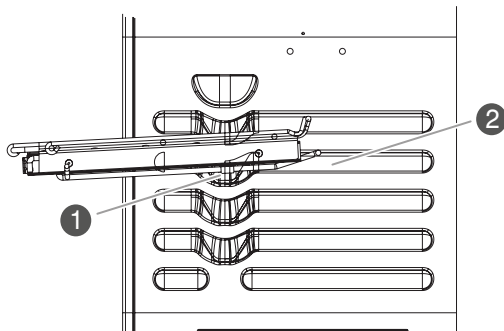
- 1 Glissières
- 2 Support coulissant
- 3 Attache centrale

Insertion de la grille déployante

1. Incliner la grille vers le haut et l'insérer dans le rebord arrière dans l'encoche en "V" des glissières de grille situées dans la cavité du four.
2. Garder la grille inclinée et l'enfoncer jusqu'à ce que le rebord arrière des glissières (A) dépasse l'encoche inférieure en "V".
3. Incliner la grille vers le bas et continuer de la faire glisser doucement jusqu'à ce que l'attache centrale (C) dépasse l'encoche en "V".
4. Soulever la grille pour la replacer en position horizontale et la repousser doucement vers le fond du four jusqu'à ce que le rebord arrière de la glissière retombe et se mette en place.
5. Lors du positionnement de grilles à des niveaux adjacents, commencer par installer la grille du bas, puis placer les grilles suivantes.
6. Tirer la grille légèrement vers l'avant jusqu'à ce que le rebord avant retombe et que les glissières se trouvent sur le rail de glissière.



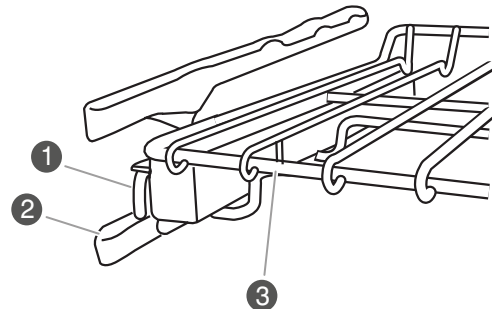
- 1 Ouverture en "V"
- 2 Guide de grille



- 1 Ouverture en "V"
- 2 Guide de grille

Retrait de la grille déployante

1. Enfoncer la grille coulissante complètement jusqu'à ce qu'elle soit rétractée et emboîtée sur les glissières.



- 1 Support coulissant
- 2 Glissières
- 3 Grille

2. Avec les 2 mains, soulever le rebord avant de la grille. Repousser doucement la grille vers la paroi arrière du four de façon à ce que le rebord avant de la grille coulissante repose sur les rails de glissières situés de chaque côté de la cavité du four. Le rebord avant de la grille doit se trouver plus haut que le rebord arrière.
3. À 2 mains, soulever l'arrière de la grille de façon à ce que l'avant et l'arrière soient horizontaux sur les rails de glissières.
4. Tirer la grille vers l'extérieur.

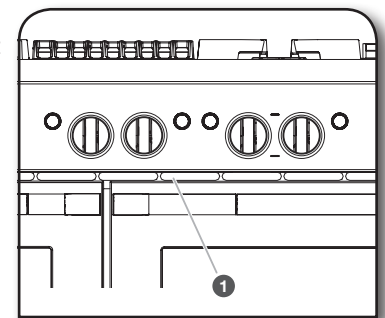
Afin d'éviter d'endommager les supports coulissants, ne pas placer plus de 25 lb (11,4 kg) sur la grille.

Ne pas nettoyer la grille déployante au lave-vaisselle. Ceci pourrait enlever le lubrifiant de la grille et nuire à ses facultés de glissement.

Voir la section "Nettoyage général" pour plus de renseignements. Lors du positionnement de grilles à des niveaux adjacents, commencer par installer la grille du bas, puis placer la grille juste au-dessus.

Évent du four

Ne pas obstruer ni couvrir l'évent du four, car il permet à l'air chaud et à l'humidité de s'échapper du four. Le fait d'obstruer ou de couvrir l'évent entraîne une mauvaise circulation de l'air et affecte les résultats de cuisson et de nettoyage. Ne pas placer près de l'évent du four des objets en plastique, en papier ou susceptibles de fondre ou de brûler.



- 1 Évent du four

Ventilateur de refroidissement

Le four possède un moteur de ventilateur de refroidissement à deux vitesses.

Lorsque la température du four est sur le programme d'autonettoyage, le ventilateur fonctionne à la vitesse maximale pour augmenter le flux d'air et mieux évacuer l'air plus chaud par les événements du four. On remarquera peut-être une augmentation du bruit jusqu'à ce que le four soit refroidi.

REMARQUE : Le ventilateur de refroidissement peut continuer de fonctionner même si le four est éteint.



MODES DE CUISSON

(CUISSON AU FOUR, CUISSON AU FOUR PAR CONVECTION, RÔTISSAGE PAR CONVECTION, CUISSON DE VOLAILLE PAR CONVECTION, CUISSON DE PÂTISSERIES PAR CONVECTION ET CUISSON AU GRIL)

Choisir une fonction de four

1. Choisir une fonction de four en tournant le bouton de mode et le bouton de température aux sélections souhaitées.

REMARQUE : Le bouton de mise en marche clignotera en blanc pour indiquer à l'utilisateur qu'il doit appuyer sur ce bouton.

2. Appuyer sur le bouton de mise en marche pour démarrer la fonction du four.

Lorsqu'une sélection avec un bouton est effectuée et après un certain temps d'inactivité, le témoin lumineux du bouton de mise en marche clignotera rapidement pour indiquer qu'il faut appuyer sur le bouton de mise en marche.

Si aucune action n'est effectuée après 2 minutes, une tonalité résonnera et l'appareil se mettra en veille.

Pour réveiller l'appareil, sélectionner de nouveau un mode et une température avant d'appuyer sur le bouton de mise en marche.

REMARQUE : L'appareil effectue une vérification de validité pour s'assurer que la combinaison de température et de mode sélectionnés est valide.

Si une combinaison valide a été sélectionnée, les témoins de bouton et de mise en marche seront allumés. Le bouton de mise en marche commencera à clignoter pour demander une action.

Si une combinaison invalide a été sélectionnée, les témoins lumineux de boutons clignoteront pour indiquer que la combinaison de mode et de température n'est pas valide et une tonalité d'invalidité résonnera.

Changer le mode ou la température pendant l'utilisation du four

Si la position du bouton de mode est modifiée pendant un programme vers une sélection valide, le bouton de mise en marche clignotera et doit être enfoncé pour changer le mode.

REMARQUE : L'appareil ne changera pas de mode avant qu'on ait appuyé sur le bouton de mise en marche.

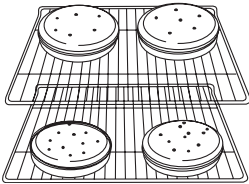
Si la position du bouton de température est modifiée pendant un programme vers une sélection valide, le bouton de mise en marche clignotera pour indiquer qu'une action est requise.

Si le bouton de mode/température est changé de position pendant un programme vers une sélection invalide, l'appareil restera au mode sélectionné précédemment jusqu'à ce qu'il y ait correction.

Les témoins lumineux de boutons s'illumineront pour indiquer une sélection invalide et continueront à clignoter jusqu'à la correction.

Pour éteindre le four :

Tourner le bouton de température à la position OFF (arrêt).

PRODUITS DE BOULANGERIE	MODE(S) RECOMMANDÉ(S)	POSITIONS DE GRILLE RECOMMANDÉES	CONSEILS
Gâteaux	Bake (cuisson au four)	Deux grilles – 2 et 4 Une grille – 3	 <p>Pour des résultats optimaux lors de la cuisson d'un gâteau sur 2 grilles, placer les gâteaux sur les grilles, comme illustré.</p>
Biscuits	Convect Bake (Cuisson au four par convection)	Trois grilles – 1, 3, et 5 Deux grilles – 2 et 4 Une grille – 3	
Mets en sauce	Bake (cuisson au four)	Une grille – 3	
Poulet (entier)	Convect Roast (Rôtissage par convection)	Une grille – 2	
Plats congelés/pizza	Bake (cuisson au four)	Une grille – 2 ou 3	
Viandes (coupes et morceaux minces)*	Broil (Cuisson au gril)	Une grille – 4	
Viandes (coupes épaisses et poulet entier)	Broil (Cuisson au gril)	Une grille – 3	
Dinde (entière)	Bake (cuisson au four)	Une grille – 1	

*Pour qu'une galette à hamburger soit bien saisie à l'extérieur tout en restant bien tendre à l'intérieur, préchauffer la lèchefrite pendant 5 minutes et placer une grille en position 4. On doit cuire le 1^{er} côté pendant environ 3 à 4 minutes. On doit cuire le 2^e côté pendant environ 6 à 7 minutes. Une légère fumée peut se dégager durant la cuisson au gril.



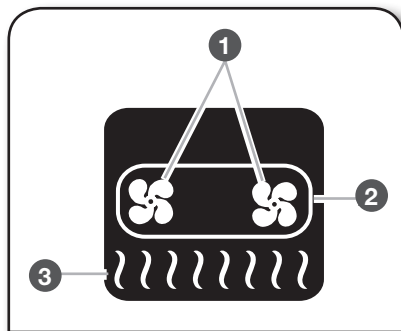
UTILISATION DU FOUR

BAKE (CUISSON AU FOUR)

Le mode de cuisson au four repose principalement sur la chaleur produite par l'élément de cuisson inférieur du four et la chaleur radiante provenant de la cavité du four pour créer les conditions parfaites pour les gâteaux, biscuits, pains éclair, pains à levure, pains de viande et desserts cuits. Ce mode est idéal pour les aliments qui doivent être dorés des deux côtés.

Connaître votre mode de cuisson au four

- Durant la cuisson au four, le brûleur de chauffage adéquat et les ventilateurs s'allument et s'éteignent par intermittence afin de maintenir le four à température constante.
- La cuisson au four est utilisée pour cuire jusqu'à 2 grilles d'aliments.
- Pour de meilleurs résultats, laisser le four préchauffer avant de placer les aliments dans le four.
- Si la porte du four est ouverte pendant la cuisson au four, le brûleur de cuisson au four s'éteint environ 30 secondes après l'ouverture de la porte. Ils se remettent en marche environ 30 secondes après la fermeture de la porte.



- 1 Ventilateur de convection
- 2 Élément de convection
- 3 Brûleur de cuisson au four

- Si la porte du four est ouverte pendant la cuisson au grill, le brûleur de cuisson au grill s'éteint au bout d'environ 30 secondes. Lorsqu'on referme la porte du four, le brûleur se rallume environ 30 secondes plus tard.
- Pour de meilleurs résultats, utiliser une lèchefrite et une grille. La grille est conçue pour laisser s'écouler les jus et aider à éviter les éclaboussures et la fumée.
- Pour que l'écoulement puisse se faire correctement, ne pas recouvrir la grille de papier d'aluminium. Le fond de la lèchefrite peut être garni de papier d'aluminium pour en faciliter le nettoyage.
- Enlever l'excès de graisse pour réduire les éclaboussures. Entailler le gras résiduel sur les côtés pour éviter que la viande ne se recroqueville.
- Pendant la cuisson au grill, le changement de température permet un contrôle plus précis. Réduire la température permettra aux aliments de cuir plus lentement. Les morceaux épais et de forme irrégulière de viande, de poisson et de volaille cuisent mieux à des températures de cuisson au grill plus basses.
- Sortir la grille jusqu'à la butée d'arrêt avant de tourner ou d'enlever les aliments. Utiliser une pince pour tourner les aliments et éviter la perte de jus. Il est possible qu'il ne soit pas nécessaire de tourner les coupes très minces de poisson, de volaille ou de viande.
- Après une cuisson au grill, retirer du four le plat contenant les aliments. Les jus de cuisson cuiront sur la lèchefrite si on la laisse dans le four encore chaud et rendront le nettoyage plus difficile.

Utilisation de la cuisson au grill :

Pour des résultats optimaux, préchauffez le four pendant 5 minutes. Placer les aliments sur la grille de la lèchefrite, puis placer celle-ci au centre de la grille du four, centrée sous l'élément de cuisson au grill.

Option Keep Warm™

L'option Keep Warm™ permet de garder les aliments cuits chauds à une température de service. Elle peut aussi être utilisée à la fin d'une cuisson minutée.

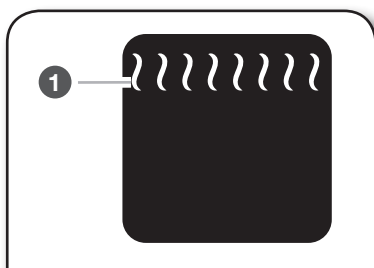
BROIL (CUISSON AU GRIL)

Le mode de cuisson au grill utilise une chaleur intense provenant du dessus pour rapidement cuire les aliments, ce mode est parfait pour obtenir des surfaces extérieures riches et savoureuses. Idéal pour le bifteck, le poulet, le porc, le poisson et les légumes comme les oignons et les poivrons. Ce mode permet aussi de dorer et de rendre croustillants les desserts et le dessus des plats en casserole.

Connaître votre mode de cuisson au grill

REMARQUE : La fonction n'est pas disponible sur la cavité du four de gauche pour les modèles de 48 po (121,9 cm).

- La cuisson au grill utilise la chaleur radiante directe pour cuire les aliments.
- Le brûleur de cuisson au grill s'allume et s'éteint par intermittence pour maintenir la température du four.



- 1 Cuisson au grill

⚠ AVERTISSEMENT

Risque d'empoisonnement alimentaire

Ne pas laisser des aliments dans un four plus d'une heure avant ou après la cuisson.

Le non-respect de cette instruction peut causer un empoisonnement alimentaire ou une maladie.

IMPORTANT : Les aliments doivent être à la température de service avant d'être placés dans le four chaud. Les aliments peuvent être conservés pendant 1 heure. Cependant, il est recommandé que les aliments soient recouverts de papier d'aluminium pour aider à conserver l'humidité et éviter qu'ils ne deviennent trop secs.

Utilisation de la fonction de maintien au chaud

1. Tourner le bouton de mode à la position de cuisson au four.
2. Tourner le bouton de température à la position Warm (maintien au chaud).
3. Appuyer sur le bouton de mise en marche.

REMARQUE : Le maintien au chaud est par défaut à 170 °F (77 °C).

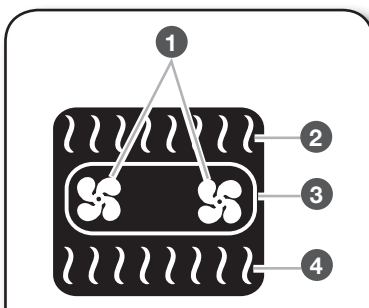


CONVECTION COOKING (CUISSON PAR CONVECTION)

La cuisson par convection permet de cuire les aliments de façon plus égale et rapide qu'un mode de cuisson traditionnel.

Les éléments de convection sont situés à l'arrière de la cavité du four. Ils sont aidés par des ventilateurs de convection qui permettent d'obtenir une chaleur constante et égale.

REMARQUE : Sur les modèles de 48 po (121,9 cm), la cavité du four de gauche ne possède qu'un ventilateur de convection et pas d'élément de convection.



- 1 Ventilateurs de convection
- 2 Brûleur du grill
- 3 Élément de convection
- 4 Brûleur de cuisson au four

CONVECT BAKE (CUISSON AU FOUR PAR CONVECTION)

Le mode de cuisson par convection utilise plusieurs éléments/brûleurs et un ventilateur pour faire circuler l'air chaud dans le four, ce qui permet de faire cuire des aliments de 10 à 20 % plus rapidement qu'avec une méthode traditionnelle.

Connaître votre mode de cuisson par convection

- Lors de la cuisson au four d'un repas comportant plusieurs types différents d'aliments, veiller à choisir des recettes nécessitant des températures semblables. Prévoir un espace d'au moins 2 po (5,1 cm) entre l'ustensile de cuisson et les parois du four.
- Si la porte du four est ouverte pendant la cuisson au four par convection, les ventilateurs s'éteignent immédiatement lorsque la porte est ouverte et s'allument immédiatement lorsque la porte est fermée. Les éléments/brûleurs de cuisson par convection, de cuisson au four et de cuisson au grill s'éteignent environ 30 secondes après l'ouverture de la porte. Ils se mettront de nouveau en marche environ 30 secondes après la fermeture de la porte.
- Vérifier les aliments au moment indiqué sur l'emballage ou dans la recette, en choisissant le plus court des deux. Prévoir plus de temps de cuisson lorsque plusieurs grilles sont utilisées.
- Choisir des tôles à biscuits sans rebords pour que l'air puisse circuler librement autour des aliments.

AUTO CONVECT CONVERSION (CONVERSION DE CUISSON AU FOUR AUTOMATIQUE PAR CONVECTION)

Les modes par convection utilisent des éléments/brûleurs et des ventilateurs supplémentaires pour distribuer de façon égale la température dans la cavité. Ainsi, la température de cuisson ou le temps peuvent différer de ce qui est indiqué sur la recette d'origine ou dans les instructions sur les emballages. La conversion de cuisson au four automatique par convection convertit automatiquement votre recette pour une cuisson par convection en réduisant la durée ou la température habituellement saisie.

CONVECT ROAST (RÔTISSAGE PAR CONVECTION)

Le rôtissage par convection peut être utilisé pour le rôtissage des viandes, de la volaille et des légumes. Durant le rôtissage par convection, les éléments/brûleurs de cuisson au grill, de cuisson par convection et de cuisson au four s'allument et s'éteignent par intermittence pour maintenir le four à température constante, tandis que le ventilateur fait circuler l'air chaud. Il n'est pas nécessaire de réduire la température du four lorsqu'on utilise le mode de rôtissage par convection.

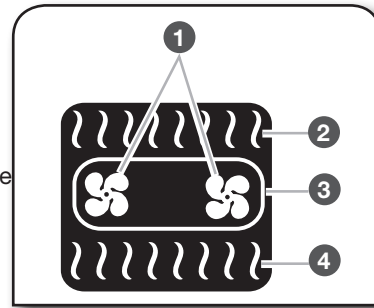
Si la porte du four est ouverte pendant le rôtissage par convection, les ventilateurs s'éteignent immédiatement lorsqu'on ouvre la porte et se rallument dès qu'on la referme. Les éléments/brûleurs de cuisson au four, de cuisson au grill et de cuisson par convection s'éteignent environ 30 secondes après l'ouverture de la porte. Ils se mettront de nouveau en marche environ 30 secondes après la fermeture de la porte.

- La durée de cuisson devrait être réduite de 15 à 30 %. Cependant, les aliments devraient être vérifiés plus tôt pour s'assurer qu'ils ne cuisent pas trop.
- Pour des résultats optimaux, utiliser une lèchefrite et une grille de lèchefrite – elles sont conçues pour recueillir les jus de cuisson et aider à éviter les éclaboussures et la fumée. Il est possible de commander un ensemble de lèchefrite. Voir la section "Assistance ou service" pour commander.

Utilisation du rôtissage par convection :

Avant d'utiliser le rôtissage par convection, voir la section "Positionnement des grilles et ustensiles de cuisson au four". Il n'est pas nécessaire de préchauffer le four avant d'y placer l'aliment, sauf si la recette le recommande.

1. Placer les aliments dans le four.
2. Tourner le bouton de mode à Convect Roast (rôtissage par convection).
3. Tourner le bouton de température à la température de cuisson désirée.
4. Appuyer sur le bouton de mise en marche pour démarrer la cuisson.
5. Tourner le bouton de température à la position OFF (arrêt) pour éteindre le four.



- 1 Ventilateurs de convection
- 2 Élément de cuisson au grill
- 3 Élément de convection
- 4 Élément de cuisson au four



UTILISATION DU FOUR

CONVECT SLOW ROAST (RÔTISSAGE LENT PAR CONVECTION)

Les modes de rôtissage lent par convection utilisent des températures basses pour aider à conserver l'humidité et un temps de cuisson plus long pour permettre d'obtenir une viande plus tendre. Le rôtissage lent par convection est très efficace pour les pièces de viande de taille moyenne à grande, le poulet, le porc, ainsi que les pièces de viande moins tendres. Les aliments peuvent être cuits pendant une durée maximale de 11 heures 59 minutes. La température de la recette n'a pas besoin d'être réduite avec ce mode.

Connaître votre mode de rôtissage lent

- Les aliments doivent être complètement décongelés avant la cuisson.
- Couvrir les aliments de papier d'aluminium pour aider à retenir l'humidité.
- Avant un rôtissage lent, on peut saisir la viande dans une poêle ou la saisir au gril des deux côtés jusqu'à ce qu'elle soit dorée, pour en améliorer le brunissage et la tendreté.

CONVECT PASTRY (CUISSON DE PÂTISSERIES PAR CONVECTION)

Ce mode favorise au départ la levée de la pâte feuilletée et délicate et qui termine avec un équilibre idéal de chaleur pour obtenir une surface dorée parfaite. Le mode de cuisson de pâtisseries par convection est idéal pour l'utilisation d'une ou de plusieurs grilles pour faire cuire des choux à la crème, des chaussons et des croissants.

CONVECT POULTRY (CUISSON DE VOLAILLE PAR CONVECTION)

Ce mode utilise une chaleur intense pour optimiser le rôtissage et aider à retenir l'humidité pendant la cuisson de poulet, de dinde ou d'une autre volaille. Le programme utilise plusieurs éléments et le ventilateur de convection pour améliorer la distribution de chaleur. Il n'est pas nécessaire de réduire la température du four lorsqu'on utilise le mode de cuisson de volaille par convection.

Si la porte du four est ouverte pendant le fonctionnement, les ventilateurs s'éteindront immédiatement lorsqu'on ouvre la porte et se rallument dès qu'on la referme.

- Pour obtenir les meilleurs résultats, utiliser une lèchefrite ou placer les aliments sur une grille dans un plat de cuisson aux bords peu élevés pour permettre aux gras et jus de s'extraire tout en aidant à contenir les éclaboussures et la fumée.
- Le rôtissage à haute température peut réduire la durée de cuisson ; vérifier les aliments plus tôt pour éviter de trop les faire cuire.

PROOF (LEVÉE)

Le programme de levée du pain prépare la pâte pour la cuisson au four en activant la levure. Suivre les directives de la recette ou de l'emballage pour savoir le nombre de fois que la pâte doit être levée.

RAPID PROOF (LEVÉE RAPIDE)

Le mode de levée rapide est utilisé pour la levée des pâtes surgelées commerciales.

Connaître votre mode de levée

La procédure de levée est sensible à la température, il est recommandé de lancer la levée lorsque le four est froid.

Avant d'utiliser le mode levé :

1. Placer la pâte dans un bol légèrement graissé. Placer le bol sur la grille en position 2.
2. Fermer la porte.

Utilisation de la fonction de levée :

1. Tourner le bouton de mode à la position de cuisson au four.
2. Tourner le bouton de température à la position Proof (levée).
3. Appuyer sur le bouton de mise en marche.
4. Lorsqu'un programme est terminé, tourner le bouton de température du four à la position OFF (arrêt) pour mettre fin au programme.

CENTRE CULINAIRE

Le Centre culinaire renferme de multiples renseignements pour vous aider avec la cuisson ordinaire et la cuisson au four de plusieurs aliments. Lors de la programmation de ce mode, l'utilisateur fera des sélections telles que le type de viande, de légume, le niveau de cuisson favori et le type de plat en fonction des aliments. Des conseils et astuces utiles sont fournis à mesure que l'utilisateur navigue dans le menu. Le Centre culinaire procédera à des ajustements en fonction du degré de cuisson et du plat sélectionnés. Toutes les sélections entraînent le fonctionnement par intermittence des éléments et des ventilateurs appropriés en fonction des aliments programmés.

REMARQUE : Il est possible d'accéder au centre culinaire à partir de l'application.

REMARQUE : Certains programmes du centre culinaire requièrent l'utilisation de la sonde de cuisson fournie avec le four. Voir la section sur le fonctionnement de la sonde pour plus d'informations.



MODES SPÉCIAUX

MINUTERIE DE CUISSON (application seulement)

La minuterie de cuisson permet au four de réaliser une cuisson pendant une durée pré-réglée. Il est possible d'accéder à la minuterie de cuisson à partir de l'application.

Suivre les indications dans l'application pour utiliser la minuterie de cuisson.

Connaître votre minuterie de cuisson

On peut lancer le compte à rebours de la minuterie de plusieurs façons :

- Si le programme n'a pas besoin de préchauffage, la minuterie de cuisson démarre immédiatement avec le programme.
- Si le programme demande un préchauffage, la minuterie ne peut être mise en marche qu'à partir de l'application lorsqu'on appuie sur le bouton de mise en marche.

SONDE DE TEMPÉRATURE (application seulement)

La sonde de température est un outil qui aide à évaluer la température interne des viandes. Volailles et plats en sauce. Elle peut être utilisée durant la cuisson au four, la cuisson au four par convection et le rôtissage par convection. Le four émet une tonalité lorsque les aliments atteignent la température cible.

Connaître votre sonde thermométrique

- Toujours débrancher et retirer la sonde du four lorsqu'on retire les aliments.

Avant d'utiliser la sonde thermométrique :

- Retirer les grilles non utilisées situées au-dessus des aliments.
- Insérer la sonde à l'intérieur de l'aliment. Pour les viandes, l'extrémité de la sonde doit se trouver au centre de la partie la plus épaisse de la viande et non dans le gras ou au contact d'un os.
- Pour obtenir une lecture précise de la température, insérer la sonde le plus profondément possible dans l'aliment. Les températures seront plus précises lorsque la sonde est enfoncée plus profondément dans les aliments.
- Placer les aliments dans le four et connecter la sonde à la prise.
- Maintenir la sonde aussi loin que possible de la source de chaleur. Fermer la porte du four.

MISE EN MARCHÉ DIFFÉRÉE (application seulement)

⚠ AVERTISSEMENT

Risque d'empoisonnement alimentaire

Ne pas laisser des aliments dans un four plus d'une heure avant ou après la cuisson.

Le non-respect de cette instruction peut causer un empoisonnement alimentaire ou une maladie.

La mise en marche différée permet aux fours d'être programmés pour se mettre en marche à une certaine heure et de cuire pendant une certaine durée.

La mise en marche différée ne doit pas être utilisée pour les aliments tels que pains et gâteaux, car ils risquent de ne pas bien cuire.

La mise en marche différée peut être utilisée avec n'importe quel programme équipé d'une option de mise en marche différée. Il est possible d'accéder à la mise en marche différée à partir de l'application.

Suivre les indications dans l'application pour utiliser la mise en marche différée.

REMARQUE : Ne pas utiliser la mise en marche différée pour des aliments nécessitant le préchauffage du four, comme les gâteaux, les biscuits et le pain. Si l'on place les aliments dans le four durant le préchauffage, ils pourraient être trop cuits.



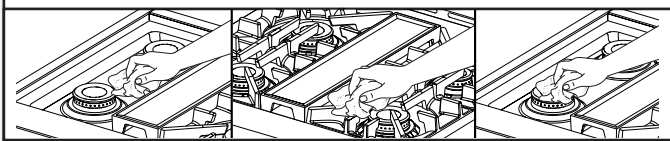
SURFACE DE LA TABLE DE CUISSON

IMPORTANT :

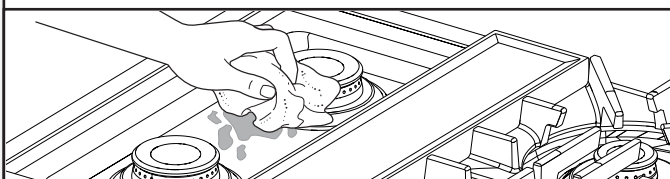
- Avant le nettoyage, s'assurer que tous les boutons de la table de cuisson sont éteints et que le four et la table de cuisson sont froids. Ne pas utiliser de nettoyeurs à four, d'agent de blanchiment ou de décapants à rouille.
- L'usage de savon, d'eau et d'un chiffon doux ou d'une éponge est suggéré en priorité, sauf indication contraire.

Après chaque utilisation :

1. Essuyer la table de cuisson, les grilles et les chapeaux.



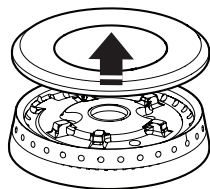
2. Nettoyer les aliments renversés.



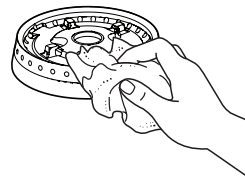
Pour protéger le fini, nettoyer les aliments renversés qui contiennent des acides, comme le vinaigre et les tomates, dès que l'appareil est refroidi.

BRÛLEURS DE SURFACE SCELLÉS

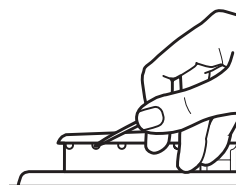
1. Ôter le chapeau de brûleur.



2. Nettoyer l'ouverture de gaz avec un chiffon humide.



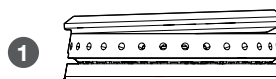
3. Nettoyer les orifices de brûleur obstrués.



Utiliser une épingle droite. Ne pas agrandir ni déformer l'orifice. Ne pas utiliser un cure-dents en bois. Si le brûleur a besoin d'être ajusté, contacter un technicien de réparation qualifié.

4. Réinstaller le chapeau de brûleur.

Brûleur



1

1 Incorrect



2

2 Correct

5. Allumer le brûleur.

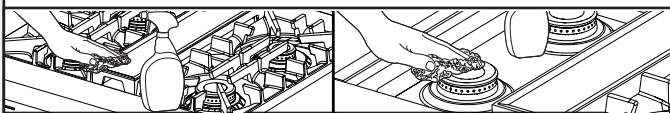


Si le brûleur ne s'allume pas, vérifier l'alignement du chapeau. Si le brûleur ne s'allume toujours pas, ne pas réparer vous-même le brûleur scellé. Contacter un technicien de réparation qualifié.



GRILLES ET CHAPEAUX ÉMAILLÉS

Utiliser un tampon à récurer et un détergent.



Nettoyer à l'aide d'outils de récurage en nylon non abrasif et nettoyant légèrement abrasif.

Connaître vos grilles et chapeaux

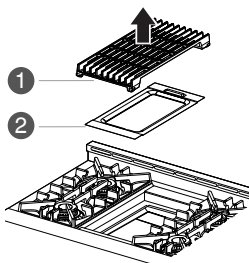
- Les renversements d'aliments contenant des produits acides, tels que vinaigre et tomates, doivent être nettoyés dès que la table de cuisson, les grilles et les chapeaux ont refroidi. Ces salissures peuvent endommager le fini.
- Pour éviter l'écaillage, ne pas entrechoquer les grilles et les chapeaux ni les frapper contre des surfaces dures telles que les ustensiles en fonte.
- Ne pas réinstaller les chapeaux sur les brûleurs lorsqu'ils sont mouillés.
- Ne pas utiliser le programme d'autonettoyage pour les nettoyer.
- Ne pas nettoyer au lave-vaisselle.

GRIL

Comment enlever pour le nettoyage :

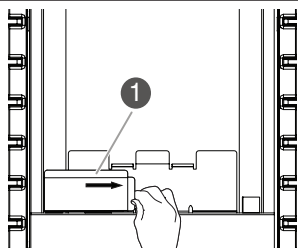
Avant de retirer ou de remettre en place les parties du gril, s'assurer que les boutons de commande sont placés à OFF (arrêt). Laisser le gril refroidir complètement avant de le manipuler.

1. Ôter la grille du gril et le déflecteur.



- 1 Grille du gril
- 2 Déflecteur

2. Enlever et nettoyer le plateau d'égouttement.



- 1 Plateau d'égouttement

Nettoyage :

Ne pas utiliser de nettoyants à four, brosses métalliques, tampons à récurer abrasifs ou autres accessoires de récurage pour nettoyer les parties du gril.

Grille :

- Ne pas laver la grille du gril au lave-vaisselle.
- Ne pas la nettoyer dans un four autonettoyant.

1. Frotter à l'aide d'une brosse pendant que la grille est encore tiède.

Utiliser une brosse à poils doux. On peut porter des mitaines de four pendant le nettoyage.

2. Laisser tremper dans une eau chaude et savonneuse pendant 30 minutes.

Après le trempage, frotter avec un tampon non abrasif.

Défecteur :

Faire tremper dans de l'eau tiède et savonneuse pour désincruster la saleté.

Après le trempage, frotter avec un tampon non abrasif.

Plateau d'égouttement :

- Laisser la table de cuisson refroidir avant le nettoyage.

Nettoyer à l'aide d'eau chaude savonneuse ou d'un nettoyant non abrasif.

Utiliser un chiffon humide ou un tampon non abrasif.

Bac du module :

1. Nettoyer à l'aide d'eau chaude savonneuse ou d'un nettoyant non abrasif.

Utiliser un chiffon humide ou un tampon non abrasif.

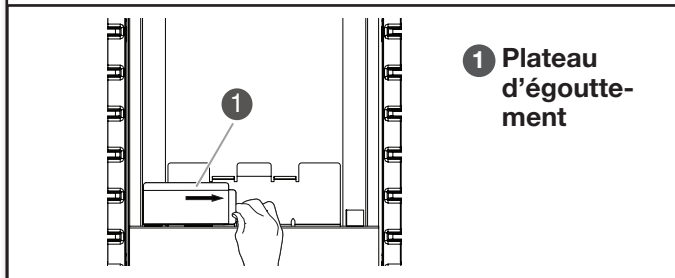
2. Pour les zones très sales, laisser tremper en utilisant des essuie-tout.

Faire tremper des essuie-tout dans du nettoyant ménager et les placer sur les saletés pendant au moins 30 minutes. Après le trempage, frotter avec un tampon non abrasif.



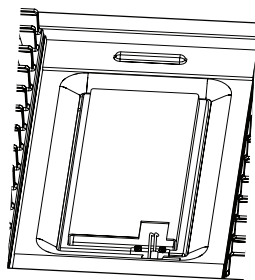
Replacer :

1. Réinstaller le plateau d'égouttement.

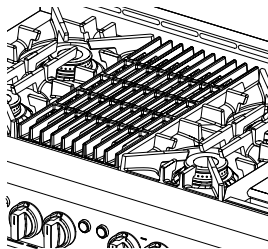


Faire glisser le plateau d'égouttement dans l'ouverture du côté gauche du bac du gril.

2. Placer le déflecteur sur le dessus de l'ensemble de brûleur.



3. Mettre la grille de gril en position.



PLAQUE À FRIRE

Astuces :

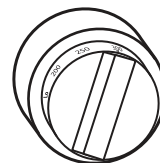
- Avant de nettoyer la plaque à frire, vérifier que tous les brûleurs de la table de cuisson et du four sont éteints et que les commandes du four sont placées sur arrêt.
- Pour obtenir de bons résultats, nettoyer la plaque à frire peu de temps après avoir retiré les aliments.

Ne pas utiliser :

- Savon
- Matériaux abrasifs
- Matériaux de nettoyage, incluant les tampons en acier inoxydable

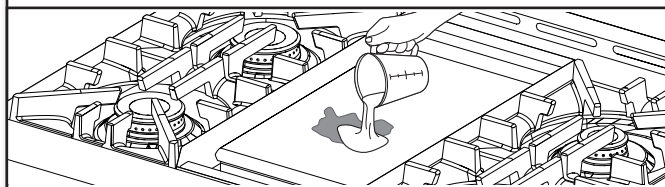
Après chaque utilisation :

1. Tourner le bouton sur 300 °F (149 °C) pour préchauffer.



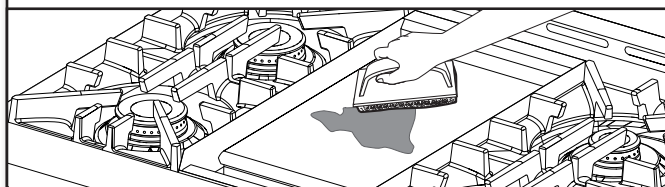
Attendre que le préchauffage soit terminé avant de nettoyer.

2. Mouiller la zone sale.



À l'aide d'une tasse à mesurer, ajouter 1 tasse (236,6 ml) d'eau du robinet sur la zone souillée. Commencer par l'arrière pour permettre à l'eau de couler vers le plateau d'égouttement situé à l'avant. Permettre à l'eau de faire des bulles sur la plaque pendant 3 à 4 secondes.

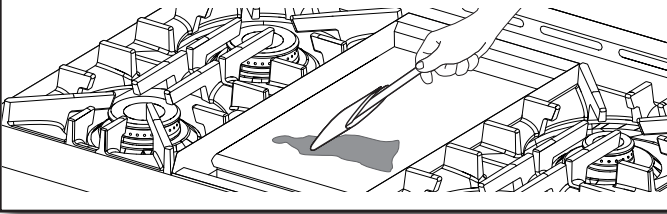
3. Gratter les résidus dans le plateau d'égouttement.



Utiliser un porte-tampon à récurer ou une cuillère en bois et un tampon non abrasif ou une lingette. Appliquer une pression sur les zones souillées. Répéter au besoin pour les zones très sales.

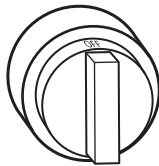


4. Retirer les résidus restants.

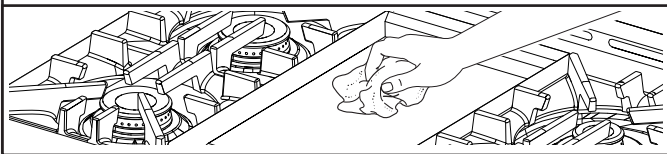


Plier un chiffon humide, et à l'aide du porte-tampon à récurer ou de la cuillère de bois, passer sur la plaque à frire pour enlever les résidus restants.

5. Éteindre la plaque et la laisser refroidir.

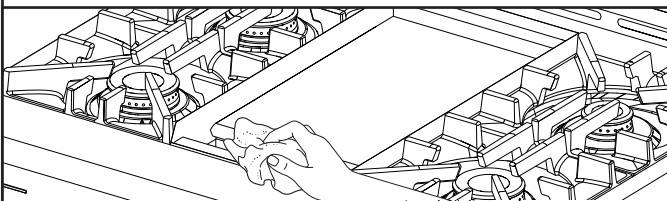


6. Essuyer la plaque à frire.



Une fois refroidie, essuyer la plaque à frire avec un linge en ratine humide et propre. Polir ensuite avec un tissu en microfibras. Si des rayures, un effet arc-en-ciel ou un effet flou apparaît, utiliser un mélange comportant une part de vinaigre pour 2 parts d'eau et essuyer la plaque à l'aide d'un tissu.

7. Enlever, vider et nettoyer le plateau d'égouttement.



Nettoyer le plateau d'égouttement avec de l'eau tiède savonneuse. Essuyer la zone sous le plateau d'égouttement. Une fois sec, replacer le plateau d'égouttement.

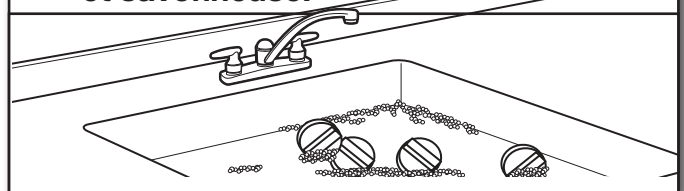
COMMANDES DE LA TABLE DE CUISSON

1. Retirer les boutons.



Tirer les boutons directement hors du tableau de commande pour les enlever.

2. Nettoyer à l'aide d'eau chaude et savonneuse.



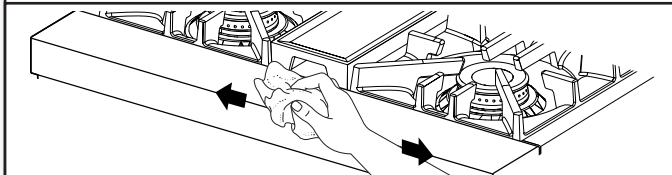
Connaître les commandes de votre table de cuisson

- Afin d'éviter d'endommager les commandes de la table de cuisson, ne pas utiliser de laine d'acier, de nettoyeurs abrasifs ou de nettoyant pour four.
- Afin d'éviter toute détérioration, ne pas laisser tremper les boutons de commande.
- Lors de la réinstallation des boutons, s'assurer que chaque bouton est à la position OFF (arrêt).
- Lors de la réinstallation des boutons après le nettoyage des commandes des brûleurs de surface ou de la commande du module de la plaque à frire, vérifier que les boutons sont réinstallés à leur emplacement correct. Consulter la section "Variations de boutons" pour obtenir des références.



ACIER INOXYDABLE

Utiliser un nettoyeur ou des lingettes.



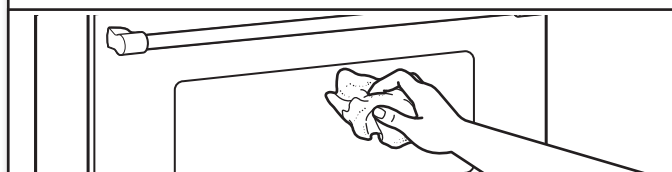
Utiliser le nettoyeur pour acier inoxydable affresh® ou les lingettes nettoyantes pour acier inoxydable affresh®. (vendus séparément). Frotter dans la direction du grain pour éviter tout dommage de la surface en acier.

Ne pas utiliser :

- Tampons à récurer imbibés de savon
- Nettoyeurs abrasifs
- Crème à polir pour table de cuisson
- Tampons de laine d'acier
- Gant de toilette rugueux
- Serviettes en papier abrasives

EXTÉRIEURE DE LA PORTE

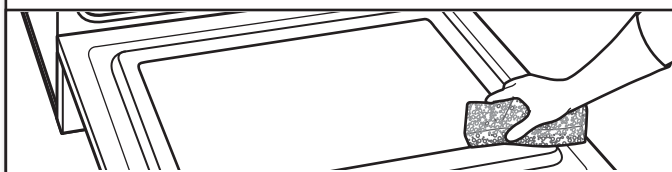
Ajouter le nettoyeur.



Ajouter du nettoyeur pour vitres sur un chiffon doux ou une éponge, jamais directement sur le verre ou utiliser le nettoyeur pour cuisine et appareils ménagers affresh® (vendus séparément).

INTÉRIEUR DE LA PORTE

1. Essuyer tout dépôt.



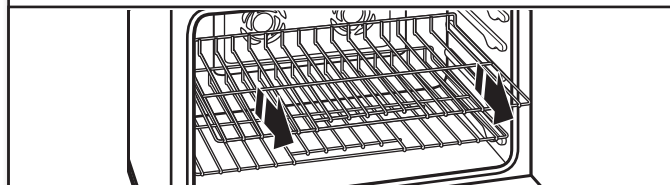
Utiliser une éponge humide.

2. Utilisation du programme d'autonettoyage.

Consulter la section "Autonettoyage du four".

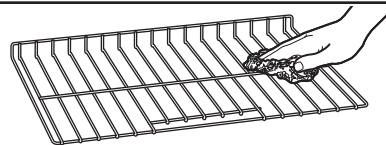
GRILLES DU FOUR

1. Vider le four et retirer les grilles.



IMPORTANT : Enlever les grilles avant d'effectuer le programme d'autonettoyage pour éviter de les décolorer et de rendre le mouvement de coulissement difficile.

2. Utiliser un tampon non abrasif ou une lingette.



CAVITÉ DU FOUR

- Ne pas utiliser de nettoyeurs à four.
- Les éclaboussures alimentaires doivent être nettoyées lorsque le four a refroidi. À des températures élevées, les aliments réagissent avec la porcelaine. Cette réaction peut causer des taches, des attaques, des piqûres ou de légères taches blanches.



AUTONETTOYAGE DU FOUR

⚠️ AVERTISSEMENT



Risque de brûlures

Ne pas toucher le four au cours du programme d'autonettoyage.

Garder les enfants loin du four au cours du programme d'autonettoyage.

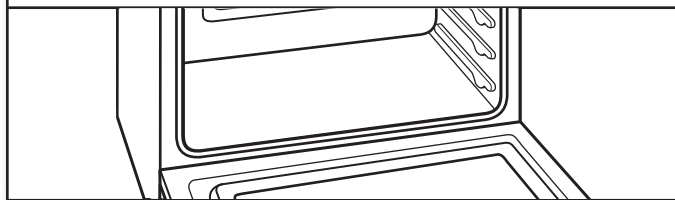
Le non-respect de ces instructions peut causer des brûlures.

IMPORTANT :

- La santé de certains oiseaux est très sensible aux émanations qui surviennent durant le programme d'autonettoyage. L'exposition aux émanations peut entraîner la mort de certains oiseaux. Toujours déplacer les oiseaux dans une autre pièce fermée et bien aérée.
- Procéder à l'autonettoyage du four avant qu'il ne devienne très sale. Les saletés intenses nécessitent un nettoyage plus long et dégagent plus de fumée.
- Sortir du four la lèchefrite, la grille, les ustensiles de cuisson au four et la sonde thermométrique.
- Veiller à ce que la cuisine soit bien aérée pendant le programme d'autonettoyage afin d'aider à éliminer la chaleur, les odeurs et la fumée.
- Ne pas obstruer le ou les événements du four durant le programme d'autonettoyage. L'air doit pouvoir circuler librement. Voir le point "Event du four" dans la section "Connaître votre four".
- Ne pas nettoyer, frotter, endommager ou déplacer le joint d'étanchéité de la porte du four. Le joint de la porte est essentiel pour une bonne étanchéité.

Préparation du four :

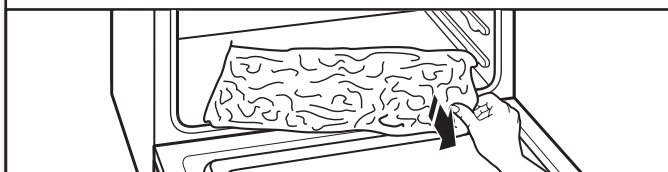
1. Vider le four et retirer les grilles.



Sortir du four la lèchefrite, la grille, les ustensiles de cuisson au four et la sonde thermométrique.

IMPORTANT : Enlever les grilles avant d'effectuer le programme d'autonettoyage pour éviter de les décolorer et de rendre le mouvement de coulissement difficile.

2. Enlever tout le papier aluminium du four.



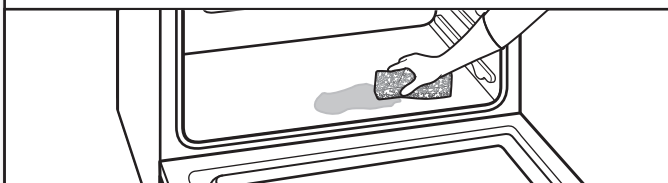
Le papier aluminium peut fondre ou brûler et endommager le four.

3. Nettoyage à la main.



À l'aide d'un chiffon humide, essuyer l'intérieur de la porte et 1 ½ po (3,8 cm) à l'entrée de la zone du cadre de la cavité. Faire attention à ne pas déplacer ou plier le joint d'étanchéité. Cette section ne devient pas assez chaude au cours du programme d'autonettoyage pour pouvoir éliminer la saleté. Ne pas laisser d'eau, de nettoyeurs, etc. pénétrer dans les fentes du cadre de la porte.

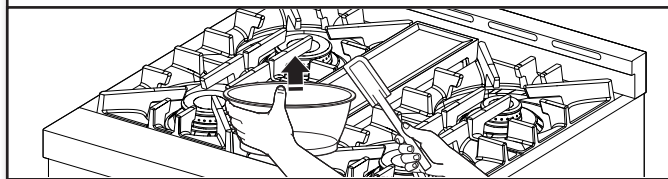
4. Essuyer la saleté décollée.



Essuyer la saleté réduit la production de fumée et éviter les dommages. À des températures élevées, les aliments réagissent avec la porcelaine. Cette réaction peut causer des taches, des attaques, des piqûres ou de légères taches blanches. Ceci n'affectera pas la performance de cuisson.

Préparation de la table de cuisson :

5. Retirer les articles en plastique.



Les articles en plastique risquent de fondre.



Comment fonctionne le programme

IMPORTANT :

- Le chauffage et le refroidissement de la porcelaine sur l'acier dans le four peuvent causer une décoloration, une perte de lustre, des fissures minuscules et des craquements.
- Le programme d'autonettoyage utilise des températures très élevées, brûlant les saletés pour les réduire en cendre.
- Les accumulations importantes de saleté peuvent nécessiter plusieurs programmes d'autonettoyage.
- Le four est préréglé pour un programme d'autonettoyage de 3 heures et 30 minutes. Le four refroidit pendant 30 minutes supplémentaires une fois le nettoyage terminé.

Utilisation de l'autonettoyage :

Tourner les boutons de mode et de température à la position Clean (nettoyage). Le témoin lumineux de bouton s'illumine pour indiquer qu'une sélection a été effectuée.

Le témoin lumineux du bouton de mise en marche commencera à clignoter pour demander une action. Appuyer sur le bouton de mise en marche pour démarrer le programme de nettoyage.

Les portes se verrouillent.

REMARQUE : Le four refroidit pendant 30 minutes supplémentaires une fois le nettoyage terminé.

Démarrage de l'autonettoyage :

1. Tourner le bouton de mode à la position Clean (nettoyage).
2. Tourner le bouton de température à la position Clean (nettoyage).
3. Appuyer sur le bouton de mise en marche.

REMARQUE : Toutes les opérations doivent être effectuées dans les 30 secondes qui suivent.

NE PAS OUBLIER : Lors de l'utilisation de la cuisinière ou durant le programme d'autonettoyage, toute la surface de cuisson peut devenir chaude.

Pour arrêter le programme d'autonettoyage à tout moment :

Placer le bouton de température sur OFF (arrêt) pour arrêter l'autonettoyage. Si la température du four est trop élevée, la porte reste verrouillée. Elle ne se déverrouille pas tant que le four n'a pas refroidi.

Une fois le four complètement refroidi :

- Nettoyer les cendres avec un chiffon humide.
- S'il reste des saletés après l'essuyage, cela signifie que le programme d'autonettoyage n'a pas fonctionné suffisamment longtemps pour pouvoir éliminer toutes les saletés du four. Répéter le programme d'autonettoyage si désiré ; on peut aussi attendre le prochain programme d'autonettoyage pour éliminer ces saletés.
- Afin d'éviter de briser le verre, ne pas appliquer de chiffon humide et froid sur la partie interne du hublot de la porte avant qu'il n'ait complètement refroidi.
- L'éclairage du four ne fonctionne pas durant le programme d'autonettoyage.
- Sur les cuisinières de 48 po (121,9 cm), l'autonettoyage ne peut s'effectuer que sur un four à la fois. Lorsqu'un four effectue un programme d'autonettoyage, l'autre four ne peut pas être réglé ni allumé.

REMARQUE : Le four possède un moteur de ventilateur de refroidissement à deux vitesses. Pendant l'autonettoyage, les ventilateurs fonctionneront à la vitesse la plus élevée pour augmenter le flux d'air et faciliter l'évacuation de l'air chaud par les événements du four. Une augmentation du bruit peut être constatée pendant et après le programme d'autonettoyage jusqu'au refroidissement du four.



LAMPES DU FOUR

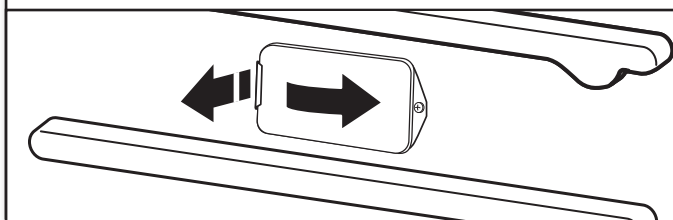
Les lampes du four sont des ampoules à halogène de 120 V, 25 W maximum. Elles s'allument à l'ouverture de la porte du four.

Replacer :

Avant de procéder au remplacement, s'assurer que le four est éteint et froid.

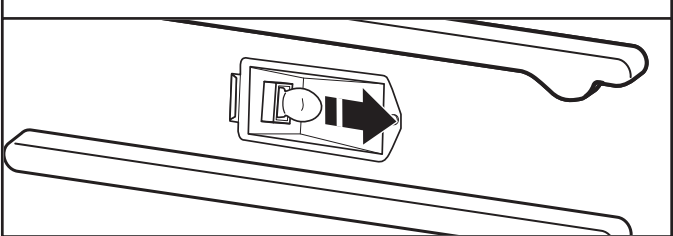
Déconnecter la source de courant électrique.

1. Enlever le couvercle d'ampoule en verre.

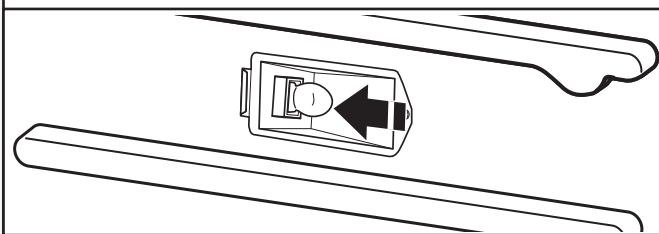


Saisir la partie avant et dégager du four.

2. Ôter l'ampoule de la douille.

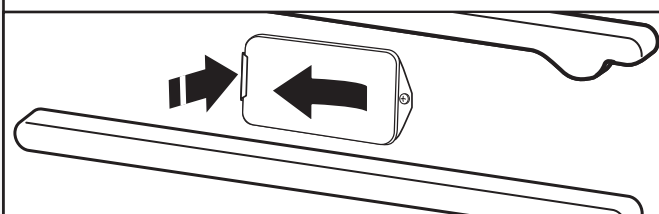


3. Remplacer l'ampoule.



Utiliser un mouchoir de papier ou des gants de coton pour manipuler l'ampoule. Pour éviter d'endommager ou de réduire la longévité de l'ampoule neuve, ne pas toucher l'ampoule avec les doigts nus.

4. Remplacer le couvercle d'ampoule.



Repousser rapidement dans le mur.
Rétablir l'alimentation électrique.



DÉPANNAGE

Essayez d'abord les solutions suggérées ici. Pour obtenir de l'aide ou des recommandations supplémentaires pour éviter un appel de service, consulter la "Garantie" ou visiter <https://jennair.custhelp.com>. Au Canada, visiter le site Internet <http://www.jennair.ca>.

SI LES PROBLÈMES SUIVANTS SURVIENNENT	CAUSES POSSIBLES	SOLUTION
Rien ne fonctionne.	Un fusible est grillé ou un disjoncteur est déclenché.	Remplacer le fusible ou réenclencher le disjoncteur. Si le problème persiste, appeler un électricien.
Les brûleurs de surface ne fonctionnent pas.	C'est la première fois que les brûleurs de surface sont utilisés.	Allumer n'importe quel brûleur de surface pour libérer l'air des canalisations de gaz.
	Le bouton de commande n'est pas réglé correctement.	Enfoncer le bouton avant de le tourner à un réglage.
	Les orifices du brûleur sont obstrués.	Nettoyer les orifices de brûleur obstrués avec une épingle droite.
Une tonalité résonne ou un témoin lumineux clignote sur l'appareil.	Une sélection de mode et de température invalide a été effectuée.	S'assurer qu'une sélection de mode et de température valide a été effectuée en suivant le tableau des "Combinaisons de boutons".
	Une sélection invalide du bouton de mise en marche a été effectuée.	Si une mauvaise combinaison de boutons a été choisie et qu'on a appuyé sur le bouton de mise en marche, le témoin lumineux clignotera rapidement et une tonalité résonnera pour indiquer que la sélection est invalide. Consulter le tableau des "Combinaisons de boutons" pour connaître les bonnes combinaisons de boutons.
	La minuterie de l'application est terminée.	La tonalité résonnera toutes les cinq minutes jusqu'à ce que la minuterie soit arrêtée dans l'application.
	La sonde de cuisson a été débranchée.	Rebrancher la sonde de cuisson.
Les flammes des brûleurs de surface ne sont pas uniformes, sont de teinte jaune ou sont bruyantes.	Les orifices du brûleur sont obstrués.	Nettoyer les orifices de brûleur obstrués avec une épingle droite.
	Les chapeaux de brûleurs ne sont pas bien positionnés.	S'assurer que le chapeau est bien aligné avec le brûleur.
	Du gaz propane est utilisé.	La cuisinière a peut-être été mal convertie. Contacter un technicien de réparation qualifié.
Le brûleur de surface émet des bruits d'éclatement.	Le brûleur est mouillé.	Laisser sécher.
Le brûleur émet des étincelles, mais ne s'allume pas.	Il y a production continue d'étincelles sans que le brûleur s'allume.	S'assurer que le chapeau est bien aligné avec le brûleur. Si les étincelles continuent, cesser l'utilisation du brûleur de surface et contacter un technicien de service.
Chaleur excessive autour des ustensiles de cuisson sur la table de cuisson.	Les ustensiles de cuisson n'ont pas la bonne taille.	Utiliser un ustensile de cuisson à peu près de la même dimension que la surface de cuisson ou le brûleur de surface. L'ustensile de cuisson ne doit pas dépasser de plus de 1/2 po (1,3 cm) hors de la zone de cuisson.
La cuisson ne produit pas les résultats escomptés.	Le bon ustensile de cuisson n'est pas utilisé.	Utiliser des ustensiles de cuisson d'un poids moyen à lourd fabriqués de matériaux conçus pour le type de cuisson désiré. Les meilleurs ustensiles de cuisson doivent avoir un fond plat, des parois droites et un couvercle qui ferme hermétiquement.
	Le bouton de commande est réglé au niveau approprié de chaleur.	Régler les commandes de cuisson à ÉLEVÉ, MOYEN ou FAIBLE selon le type de cuisson désiré.
	La cuisinière n'est pas d'aplomb.	La cuisinière doit être d'aplomb pour que la plaque à frire puisse fonctionner correctement. Voir les Instructions d'installation pour des instructions de nivellement.



Essayez d'abord les solutions suggérées ici. Pour obtenir de l'aide ou des recommandations supplémentaires pour éviter un appel de service, consulter la "Garantie" ou visiter <https://jennair.custhelp.com>. Au Canada, visiter le site Internet <http://www.jennair.ca>.

SI LES PROBLÈMES SUIVANTS SURVIENNENT	CAUSES POSSIBLES	SOLUTION
Le four ne fonctionne pas.	Les commandes du four ne sont peut-être pas correctement réglées.	S'assurer d'avoir suivi correctement les instructions de fonctionnement de la fonction à utiliser.
	Une mise en marche différée a été réglée à partir de l'application.	Le four ne fonctionnera qu'à la fin de la minuterie.
	Sur certains modèles, le mode Sabbath est activé.	Ce mode permet de fonctionner en respectant le Sabbath juif. Voir la section du mode Sabbath pour le désactiver.
	Le bouton de température n'est pas placé à un bon réglage de température.	Appuyer sur le bouton avant de le faire tourner sur le réglage et vérifier que le bouton est situé sur le réglage.
	Le bouton de mise en marche ne fonctionne pas correctement.	Laisser le bouton de mise en marche clignoter avant d'appuyer dessus.
	Le mode de cuisson mis à jour utilisé ne fonctionne pas correctement.	Passer trop rapidement d'un mode de cuisson à l'autre peut causer des problèmes de mise en marche du mode désiré.
Le ventilateur de refroidissement fonctionne durant la cuisson au four, la cuisson au gril ou le nettoyage.		Il est normal que le ventilateur fonctionne automatiquement pendant l'utilisation du four et pendant un certain temps après l'arrêt du four pour refroidir le module de commande électronique.
Le programme d'autonettoyage ne fonctionne pas.	La porte du four est ouverte.	Fermer la porte du four complètement.
	La fonction n'a pas été entrée.	Vérifier que les instructions d'utilisation du programme d'autonettoyage ont bien été suivies.
	Un deuxième programme d'autonettoyage est lancé dans la même cavité en moins de 12 heures.	Laisser plus de 12 heures entre les programmes d'autonettoyage.
	Sur les cuisinières de 48 po (121,9 cm), l'un des fours est en cours d'autonettoyage.	Lorsqu'un four effectue un programme d'autonettoyage, l'autre four ne peut pas être réglé sur un programme d'autonettoyage.



DÉPANNAGE

Essayez d'abord les solutions suggérées ici. Pour obtenir de l'aide ou des recommandations supplémentaires pour éviter un appel de service, consulter la "Garantie" ou visiter <https://jennair.custhelp.com>. Au Canada, visiter le site Internet <http://www.jennair.ca>.

SI LES PROBLÈMES SUIVANTS SURVIENNENT	CAUSES POSSIBLES	SOLUTION
La cuisson au four ne produit pas les résultats prévus.	La température utilisée n'a pas donné les résultats attendus.	Vérifier la recette dans un livre de recettes fiable.
	Le four n'a pas été préchauffé.	Si les bonnes étapes ont été suivies lors du réglage des fonctions désirées, le four préchauffera avant la cuisson.
	Le bon ustensile de cuisson au four n'est pas utilisé.	Vous assurer que le bon ustensile de cuisson au four est utilisé pour le type d'aliment à cuire.
	Les grilles ne sont pas bien positionnées.	Positionner les grilles pour qu'il y ait suffisamment d'espace au-dessus de chacun des aliments.
	Il n'y a pas de circulation d'air appropriée autour des ustensiles de cuisson.	Laisser 2 po (5,0 cm) entre les ustensiles de cuisson et les parois du four.
	La pâte n'est pas répartie de façon uniforme dans le plat.	S'assurer que votre appareil et vos grilles sont de niveau et vérifier que la pâte est de niveau dans le plat.
	La durée de cuisson utilisée n'est pas appropriée.	Régler la durée de cuisson.
	La porte du four a été ouverte pendant la cuisson.	L'ouverture de la porte pour vérifier la cuisson laisse la chaleur du four s'échapper et peut nécessiter des durées de cuisson plus longues.
	Les articles cuits au four sont trop bruns sur le dessus ou le dessous.	Déplacer la grille du four à une position plus basse pour réduire le brunissement du dessus ou à une position plus haute pour réduire le brunissement du dessous.
	Les bords des croûtes ont trop bruni.	Utiliser du papier d'aluminium pour couvrir le bord de la croûte ou réduire la température de cuisson du four.
Les grilles sont difficiles à installer à des positions adjacentes.	Installer la grille du bas en premier, puis la grille juste au-dessus.	



Avant de faire un appel pour assistance ou dépannage, vérifiez la section “Dépannage”. Cette vérification peut vous faire économiser le coût d’une intervention de dépannage. Pour de l’aide supplémentaire, suivez les instructions ci-dessous. Avant d’appeler, avoir à portée de la main la date d’achat, ainsi que les numéros de modèle et de série complets de l’appareil. Ces renseignements nous aideront à mieux répondre à votre demande.

Si vous avez besoin de pièces de rechange

Pour commander des pièces de rechange, nous vous recommandons d’utiliser seulement des pièces spécifiées par l’usine. Ces pièces spécifiées par l’usine fonctionneront bien parce qu’elles sont fabriquées selon les mêmes spécifications précises utilisées pour fabriquer chaque nouvel appareil JennAir®.

Pour savoir où trouver des pièces spécifiées par l’usine dans votre région, nous appelons ou contactons le centre de service désigné par JennAir le plus proche.

Aux É.-U.

Téléphonez sans frais au Centre pour l’eXpérience de la clientèle JennAir au : **1-800-JENNAIR (1-800-536-6247)** ou visitez notre site Web au **www.jennair.com**.

Nos conseillers peuvent vous aider sur les points suivants :

- Programmation d’une intervention de dépannage. Les techniciens de service désignés par la gamme des appareils électroménagers JennAir® sont formés pour remplir la garantie des produits et fournir un service après garantie partout aux États-Unis.
- Caractéristiques et spécifications de notre gamme complète d’appareils ménagers.
- Trouver un revendeur local d’appareils JennAir®.
- Renseignements sur l’installation.
- Procédures d’utilisation et d’entretien.
- Vente d’accessoires et de pièces de rechange.
- Assistance spécialisée au client (langue espagnole, malentendants, malvoyants, etc.).

Pour plus d’assistance

Si vous avez besoin de plus d’assistance, vous pouvez écrire à JennAir en soumettant toute question ou problème à :

JennAir Brand Home Appliances
Customer eXperience Center
553 Benson Road
Benton Harbor, MI 49022-2692

Veuillez indiquer dans votre correspondance un numéro de téléphone où l’on peut vous joindre dans la journée.

Au Canada

Appelez sans frais le Centre pour l’eXpérience de la clientèle canadienne de JennAir au : **1 800 JENNAIR (1 800 536-6247)** ou visitez notre site Web au **www.jennair.ca**.

Nos conseillers peuvent vous aider sur les points suivants :

- Programmation d’une intervention de dépannage. Les techniciens de service désignés par la gamme d’appareils électroménagers JennAir® sont formés pour remplir la garantie des produits et fournir un service après la garantie, partout au Canada.
- Caractéristiques et spécifications de notre gamme complète d’appareils ménagers.
- Trouver un revendeur local d’appareils JennAir®.
- Renseignements sur l’installation.
- Procédures d’utilisation et d’entretien.
- Vente d’accessoires et de pièces de rechange.

Pour plus d’assistance

Si vous avez besoin de plus d’assistance, vous pouvez écrire à JennAir Canada en soumettant toute question ou tout problème à :

Customer eXperience Centre
JennAir Canada
200 - 6750 Century Ave.
Mississauga, Ontario L5N 0B7

Veuillez indiquer dans votre correspondance un numéro de téléphone où l’on peut vous joindre dans la journée.



Aux États-Unis, pour les accessoires, visitez notre site Web **www.jennair.com** ou nous contacter au **1 800 JENNAIR (1 800 536-6247)**. Au Canada, visitez le site Web **www.jennair.ca** ou nous contacter au **1 800 JENNAIR (1 800 536-6247)**.

Nettoyant pour acier inoxydable affresh®
(modèles en acier inoxydable)

Lingettes nettoyantes pour acier inoxydable affresh®
(modèles en acier inoxydable)

Nettoyant pour grille et plateau d’égouttement

Nettoyant pour cuisine et appareils ménagers affresh®

Couvercle en acier inoxydable pour gril

Cerclage de wok

Grille coulissante déployable

Trousse de lèchefrite

Dosseret

Chapeaux du brûleur en cuivre

Encadrements en chrome/cuivre

