



User Manual

Modernist / Heritage Built-In Dish Washer

DDW24M99* Series

DDW24T99* Series

Contents

Safety information	5
What you need to know about the safety instructions	5
Important safety symbols	5
Before using your dishwasher	8
Regulatory notice	8
Before you start	12
Dishwasher at a glance	12
Basic use of racks	14
Loading precautions	16
Detergent guidelines	21
Operations	25
Control panel	25
Simple steps to start	28
Touchpad responsiveness	29
Cycle overview	29
Settings	31
Special features	33
Care and Maintenance	35
Cleaning	35
Long-term care	39
Troubleshooting	40
Checkpoints	40
Information codes	45

Cycle chart	46
<hr/>	
Appendix	47
Helping the environment	47
Specifications	47
<hr/>	
Warranty and Service	48
Getting help	48
Warranty	48



To Our Valued Customer:

Congratulations on your purchase of the very latest in Dacor® products! Our unique combination of features, style and performance make us The Life of the Kitchen™, and a great addition to your home.

In order to familiarize yourself with the controls, functions and full potential of your new Distinctive Appliance, read this use and care manual thoroughly, beginning with the **Safety informations** section.

All Dacor appliances are designed and manufactured with quality and pride, while working within the framework of our company value. Should you ever experience a problem with your product, please first check the **Troubleshooting** section of this manual for guidance. It provides useful suggestions and remedies prior to calling for service.

Valuable customer input helps us to continuously improve our products and services, so please feel free to contact our Customer Service Team for assistance with any of your product support needs.

Dacor Customer Service Team
14425 Clark Avenue
City of Industry, CA 91745

Telephone: (800) 793-0093

Fax: (626) 403-3130

Hours of Operation: Monday through Friday 6:00 A.M. to 5:00 P.M. Pacific Time

Website: www.Dacor.com

Thank you for choosing Dacor for your home. We are a company built by families for families, and we are dedicated to serving yours. We are confident that your new Dacor product will deliver a high level of performance and enjoyment for many years to come.

Sincerely,

The Dacor Customer Service Team

Safety information

Congratulations on your new Dacor dishwasher. This manual contains important information on the installation, use and care of your appliance. Please take time to read this manual to take full advantage of your dishwasher's many benefits and features.

What you need to know about the safety instructions

Warnings and Important Safety Instructions in this manual do not cover all possible conditions and situations that may occur. It is your responsibility to use common sense, caution, and care when installing, maintaining, and operating your dishwasher.

Important safety symbols

What the icons and signs in this user manual mean:

WARNING

Hazards or unsafe practices that may result in **severe personal injury or death**.

To reduce the risk of fire, explosion, electric shock, or personal injury when using your dishwasher, follow these basic safety precautions:

CAUTION

Hazards or unsafe practices that may result in **minor personal injury or property damage**.

These warning signs are here to prevent injury to you and others.

Please follow them explicitly.

After reading this section, keep it in a safe place for future reference.

SAVE THESE INSTRUCTIONS

Safety information

WARNING

State of California Proposition 65 Warning (US only)

This product contains chemicals known to the State of California to cause cancer and birth defects or other reproductive harm.

WARNING

When using your dishwasher, follow basic precautions, including the following:

1. Read all instructions before using the dishwasher.
2. Use the dishwasher only for its intended function.
3. Use only detergents or wetting agents recommended for use in a dishwasher and keep them out of the reach of children.
4. When loading items to be washed:
 - locate sharp items so that they are not likely to damage the door seal, and
 - load sharp knives with the handles up to reduce the risk of cut-type injuries.
5. Do not wash plastic items unless they are marked "dishwasher safe" or the equivalent. For plastic items not so marked, check the manufacturer's recommendations.
6. Do not touch the HEATING ELEMENT during or immediately after use.
7. Do not operate your dishwasher unless all ENCLOSURE panels are properly in place.
8. Do not tamper with controls.
9. Do not abuse, sit on, or stand on the door or dish rack of the dishwasher.
10. To reduce the risk of injury, do not allow children to play in or on a dishwasher.
11. Under certain conditions, hydrogen gas may be produced in a hot-water system that has not been used for two weeks or more. **HYDROGEN GAS IS EXPLOSIVE.** If the hot-water system has not been used for such a period, before using the dishwasher turn on all hot-water faucets and let the water flow from each for several minutes. This will release any accumulated hydrogen gas. As the gas is flammable, do not smoke or use an open flame during this time.
12. Remove the door to the washing compartment when removing an old dishwasher from service or discarding it.

CAUTION

- After unpacking the dishwasher, keep the packaging out of the reach of children.
- The dishwasher is extremely heavy. Do not attempt to move or carry the dishwasher by yourself. Two or more people are needed to move a dishwasher and avoid potential injuries.

SAVE THESE INSTRUCTIONS

- As with any equipment using electricity, water, and moving parts, potential hazards exist.
- Do not install the dishwasher near electrical components. Keep the dishwasher away from open flames.
- Install and level your dishwasher on an uncarpeted floor that can support its weight.
- Your dishwasher must be properly grounded. Never connect it to an ungrounded outlet. See page 7 for more information on grounding your dishwasher.
- Connect the ground wire to the green ground connector in the terminal box.
- After the dishwasher is installed, check that the drain hose is properly connected and that there is no leakage from the hose connectors. If the drain hose is loose, it may cause property damage.
- The water supply line is susceptible to breakage. As time goes by, it becomes less flexible. Check the line periodically. If it is swollen, torn, cut, or there is a water leak, replace it immediately.
- To safely operate this appliance, familiarize yourself with its operations and exercise care when using it.
- Do not put gasoline, solvents, or other flammable materials inside the dishwasher. Do not wash dishes exposed to these materials.
- Keep your dishwasher detergent out of the reach of children. Detergent has an adverse effect on human organs. It contains elements for polishing and is corrosive. Avoid letting the detergent come into contact with your skin and eyes.
- Do not push or place pressure on the door when it is open, as this may damage the dishwasher or cause harm.
- Do not allow children to play in or on the dishwasher. They may harm themselves or damage the dishwasher.
- Disconnect the power cable (or set the circuit breaker to off) before servicing your dishwasher.
- Do not repair, replace, or service any part of your dishwasher yourself. Disassembly, repairs, and modifications are permitted by authorized service technicians only. Work done by an unauthorized person may void your warranty.
- Before disposing of your dishwasher, remove the door of the washing compartment or the door latch so that children or small animals cannot get trapped inside.
- If the dishwasher is left unused for an extended period of time, turn off the water supply.
- This dishwasher is intended for residential use only.

SAVE THESE INSTRUCTIONS

Safety information

Before using your dishwasher

WARNING



Tip-Over Hazard

- Do not use the dishwasher until it is correctly installed.
- Do not push down on an open door.
- Do not place excessive weight on the open door.



Electric Shock Hazard

Failure to follow these instructions can result in death, fire, or electric shock:

- Electrically ground the dishwasher
- Connect the ground wire to the green ground connector in the junction box.
- Do not use an extension cord.

Regulatory notice

FCC Notice

FCC CAUTION:

Any changes or modifications not expressly approved by the party responsible for compliance could void the user's authority to operate the equipment.

This device complies with Part 15 of FCC Rules. Operation is Subject to following two conditions:

- (1) This device may not cause harmful interference, and
- (2) This device must accept any interference received including interference that cause undesired operation.

For product available in the USA/Canada market, only channel 1~11 can be operated. Selection of other channels is not possible.

SAVE THESE INSTRUCTIONS

FCC STATEMENT:

This equipment has been tested and found to comply within the limits for a Class B digital device, pursuant to part 15 of the FCC Rules. These limits are designed to provide reasonable protection against harmful interference in a residential installation.

This equipment generates, uses, and can radiate radio frequency energy and, if not installed and used in accordance with the instructions, may cause harmful interference to radio communications. However, there is no guarantee that interference will not occur in a particular installation. If this equipment does cause harmful interference to radio or television reception, which can be determined by turning the equipment off and on, the user is encouraged to try to correct the interference by one or more of the following measures:

- Reorienting or relocating the receiving antenna
- Increasing the separation between the equipment and receiver
- Connecting the equipment to an outlet that is on a different circuit than the radio or TV.
- Consulting the dealer or an experienced radio/TV technician for help.

FCC RADIATION EXPOSURE STATEMENT:

This equipment complies with FCC radiation exposure limits set forth for an uncontrolled environment. This equipment should be installed and operated so there is at least 8 inches (20 cm) between the radiator and your body. This device and its antenna(s) must not be co-located or operated in conjunction with any other antenna or transmitter.

SAVE THESE INSTRUCTIONS

Safety information

IC Notice

The term “IC” before the radio certification number only signifies that Industry Canada technical

specifications were met. Operation is subject to the following two conditions: (1) this device may not cause interference, and (2) this device must accept any interference, including interference that may cause undesired operation of the device.

This Class B digital apparatus complies with Canadian ICES-003.

Cet appareil numérique de la classe B est conforme à la norme NMB-003 du Canada.

For product available in the USA/Canada market, only channel 1~11 can be operated. Selection of other channels is not possible.

IC RADIATION EXPOSURE STATEMENT:

This equipment complies with IC RSS-102 radiation exposure limits set forth for an uncontrolled environment. This equipment should be installed and operated so there is at least 8 inches (20 cm) between the radiator and your body. This device and its antenna(s) must not be co-located or operated in conjunction with any other antenna or transmitter.

SAVE THESE INSTRUCTIONS

Open Source License Notice

The software included in this product contains open source software. You may obtain the complete corresponding source code for a period of three years after the last shipment of this product by sending an email to <mailto:oss.request@samsung.com>.

It is also possible to obtain the complete corresponding source code in a physical medium such as a CD-ROM; a minimal charge will be required.

The following URL <http://opensource.samsung.com/opensource/SimpleConnectTP/seq/0> leads to the download page of the source code made available and open source license information as related to this product. This offer is valid to anyone in receipt of this information.



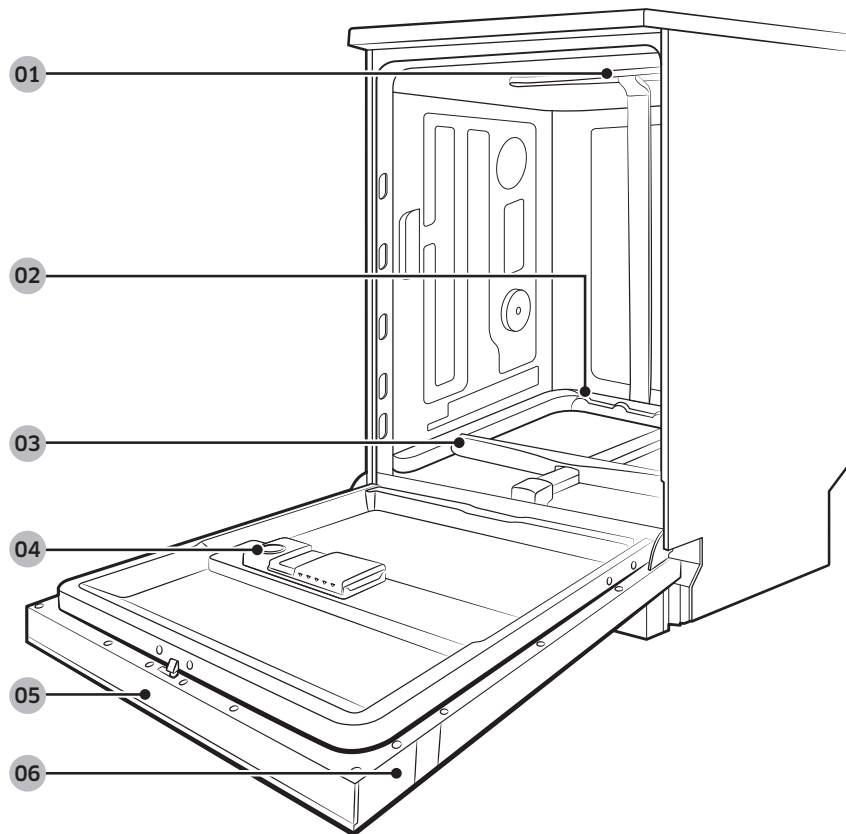
SAVE THESE INSTRUCTIONS

Before you start

Follow these instructions carefully to ensure proper installation of the dishwasher.

- Carefully unpack the product package and check for any damage. If the dishwasher has been damaged, make note of it on the waybill and keep a copy. Do not install the dishwasher, and contact a local Dacor customer center.
- If there is no damage to the product, you can proceed with the installation. If you are going to install the dishwasher yourself, make sure to read through the Installation Manual and follow the instructions.
- Keep the packaging material out of children's reach to ensure their safety.

Dishwasher at a glance



01 Top nozzle

02 Lower nozzle

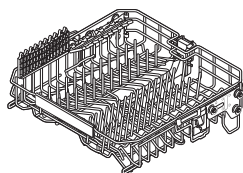
03 Water reflector

04 Dispenser

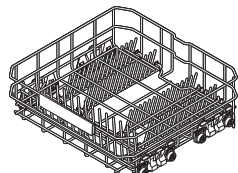
05 Control panel

06 Door

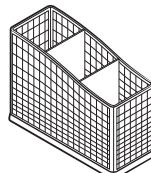
Accessories



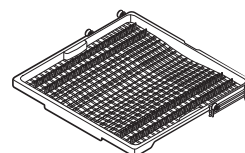
Upper rack



Lower rack



Cutlery rack

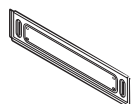


3rd rack

Others



Installation kit
(User/Installation
manual included)



Kick plate

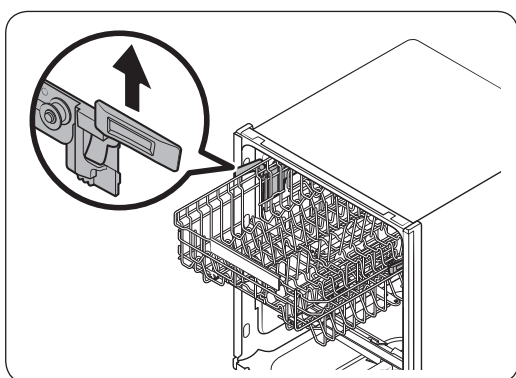
Before you start

Before you start

Basic use of racks

Height adjustment

You can adjust the height of the upper rack so that the lower rack can accommodate larger sized dishes. Depending on the height of the upper rack, the lower rack can accommodate plates up to 12 inches (30 cm) in diameter, and the upper rack can accommodate plates up to 8 inches (20 cm) in diameter.



To raise the upper rack

Pull the upper rack upwards. The adjustable handle will latch, and the upper rack will raise.

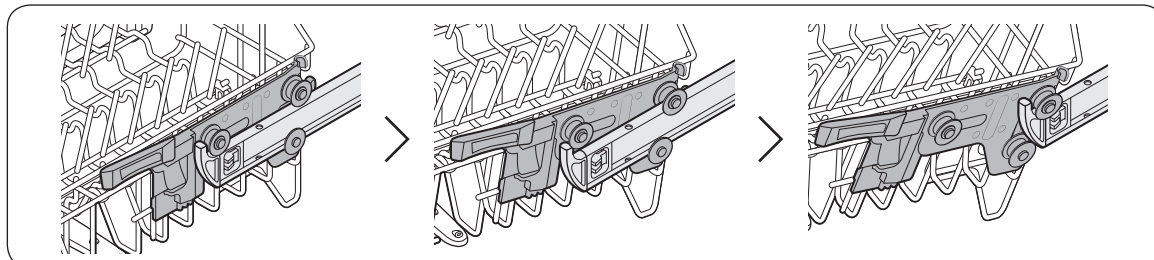
To lower the upper rack

Hold both the adjustable handles located at the left and right sides of the upper rack, and then evenly press down.

⚠ CAUTION

- Adjust the height of the upper rack before loading dishes into the rack. Adjusting the rack after loading the dishes may damage the dishes.
- Make sure to hold both handles when adjusting, or the dishwasher door may not close properly.

To remove the upper rack



To remove the upper rack, pull the upper rack to the front until it is fully extended, and then lift it slightly to remove. See the figures above for the illustrated steps.

⚠ CAUTION

- Do not operate the dishwasher without the upper rack. Otherwise, noises occur and the dishwasher does not operate properly.
- Since the upper rack is removable, insert the upper rack properly to ensure the dishwasher operates normally.

Before you start

Before you start

Loading precautions

Unsuitable items for the dishwasher

Wash only items such as glass, porcelain, and cutlery which the manufacturer declares as dishwasher safe. Do not wash aluminium (e.g. grease filters). The dishwasher may damage aluminium, or in extreme cases, cause a severe chemical reaction.

Do not wash the following items in the dishwasher.

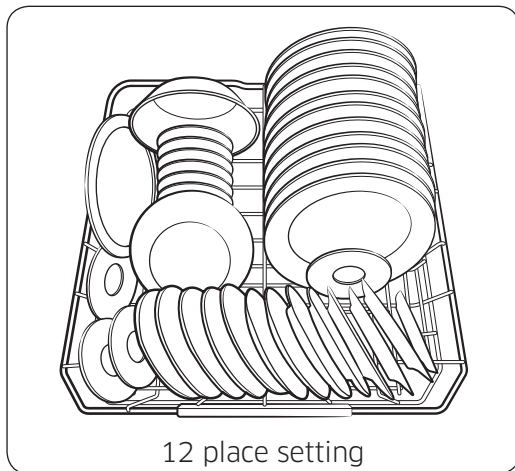
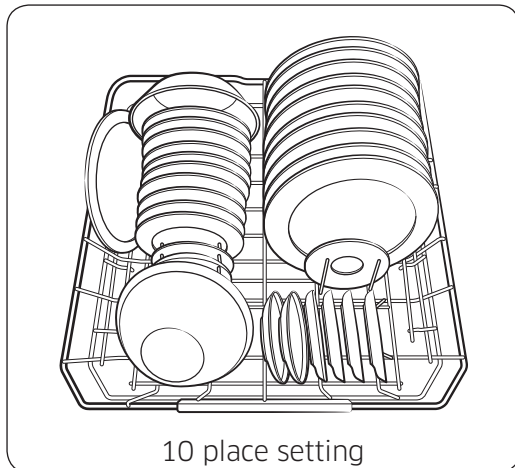
- Acrylic or aluminum items: These can discolor dishes with printed gold-rim decoration and mar other items.
- Dishes treated with adhesive: Treated plastics can come apart. Wood, ivory, copper, and tin glued to dishes can come loose.
- Plastics with a temperature tolerance less than 194 °F (90 °C): Thin plastics wash and dry poorly, and may be damaged due to elevated wash temperatures.
- Tin: Tin items must be washed by hand and dried immediately. Otherwise, it can rust.
- Wooden utensils: Wooden items can crack.

CAUTION

- Do not wash items that are covered with ash, sand, wax, lubricating grease or paint.
- These materials will damage the dishwasher. Ash does not dissolve and will spread inside the dishwasher.
- Remove food remains such as bones, fruit seeds, etc. and waste such as toothpicks, paper napkins, etc. from your dishes. Food remains and waste can make noise, cause the dishwasher to malfunction, and damage your dishes and dishwasher.

Loading dishes

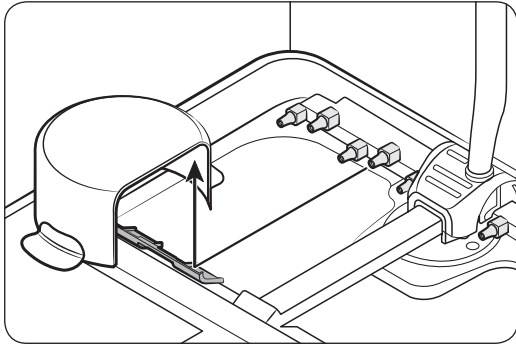
Into the lower rack



Load cookware (pots, pans, etc.) up to 12 inches (30 cm) in diameter into the lower rack. The lower rack is specially designed for dinner dishes, soup bowls, plates, pots, lids, and casserole dishes. Load plates into the centre column of the rack so that the top of a plate faces the bottom of the next plate. Load large items such as pans and pots into the dishwasher so their inner cavities face downwards. We recommend loading cups, stemware, and small plates into the upper rack. See the recommended loading cases below.

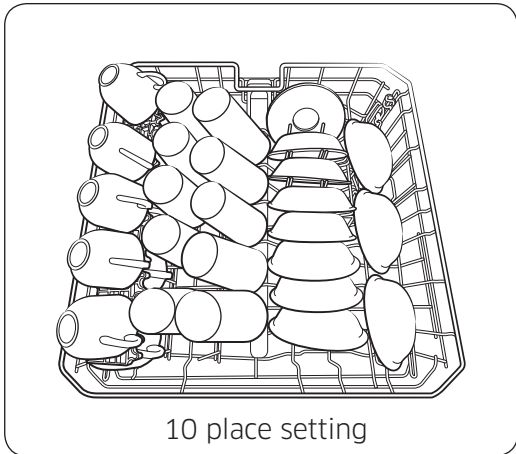
Before you start

Into the Zone Booster areas



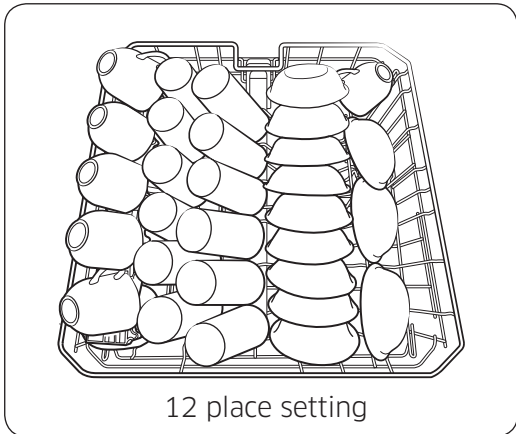
For more effective cleaning, load large items into the left side of the lower rack—the Zone Booster area. The Zone Booster function supplies more powerful water jets to the Zone Booster area. Make sure pot handles and other items do not interfere with the rotation of the nozzles and the water reflector.

Into the upper rack



10 place setting

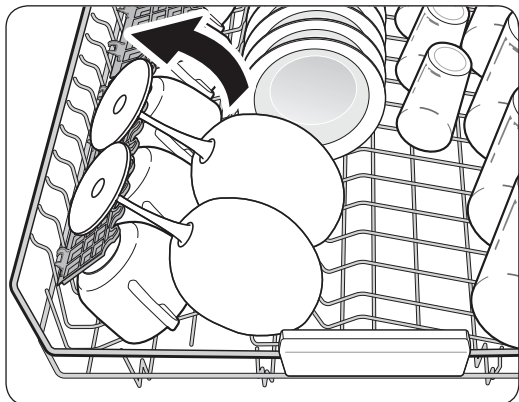
The upper rack is for small plates, mugs, glasses, and plastic items. Make sure the loaded dishes do not interfere with the rotation of the nozzle which is located at the bottom of the upper rack. (Check this by rotating the nozzle by hand.)
When loading dishes, pull the upper rack out so you can load it without striking the counter above.



12 place setting

Before you start

Using the glass support

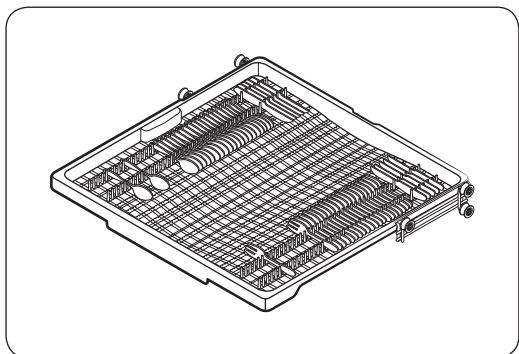


The glass support is used for cups, small items, and long cookware, and especially suited for wine glasses. Hang wine glasses onto the pegs of the cup shelves. Fold the glass support back when it is not being used.

⚠ CAUTION

Do not adjust the level of the upper rack with the glass support propped up. This will make it impossible to push the glass support in the upper rack.

Cutlery rack



The cutlery rack is best for flatware and cooking or serving utensils. Use the cutlery rack to organize flatware or utensils.

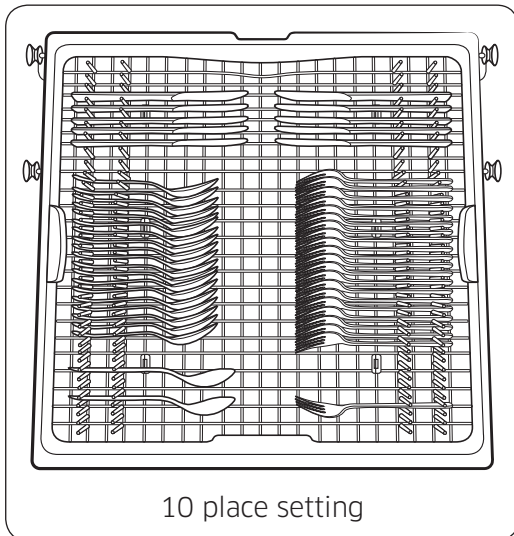
📄 NOTE

- For best results, place heavily soiled items in the standard cutlery rack.
- The cutlery rack can be removed if you need more space on the upper rack to clean larger items.

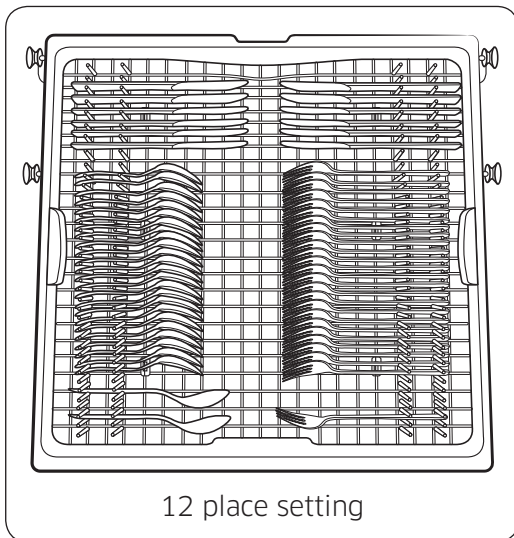
The rack will stand if items are placed as suggested above. Refer to the figures below and match the numbers on the left with the numbers on the right.

Before you start

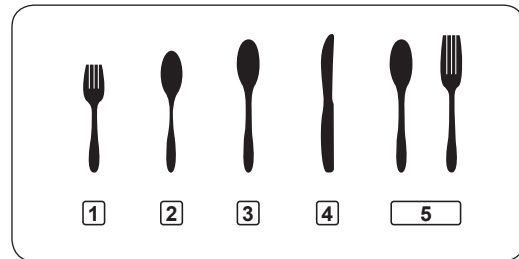
Before you start



10 place setting



12 place setting



1. Fork
2. Tea spoon
3. Dessert spoon
4. Knife
5. Serving spoon and fork

CAUTION

Do not allow items to be spread out in the bottom of the rack.

Detergent guidelines

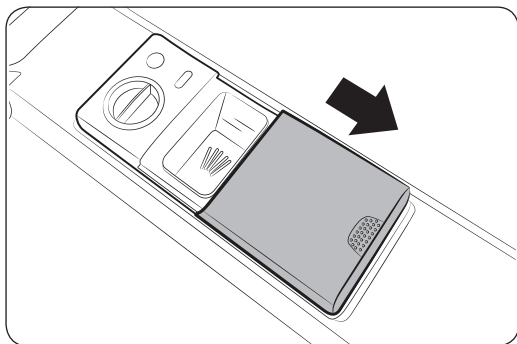
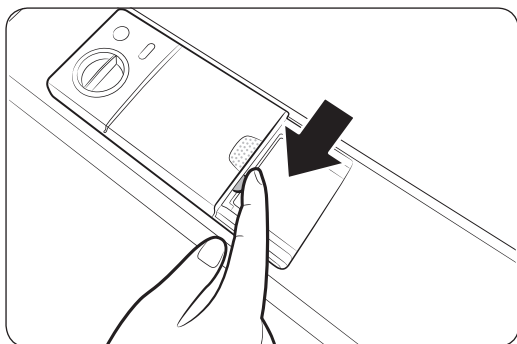
All dishwasher cycles require detergent in the detergent compartment. Apply detergent as appropriate for the selected cycle to ensure best performance.

⚠ WARNING

- Do not consume dishwasher detergent. Avoid breathing in detergent fumes. Dishwasher detergent contains irritants and caustic chemicals that can induce respiratory conditions. If you have consumed dishwasher detergent or inhaled detergent fumes, seek medical attention immediately.
- Keep dishwasher detergent out of children's reach.

⚠ CAUTION

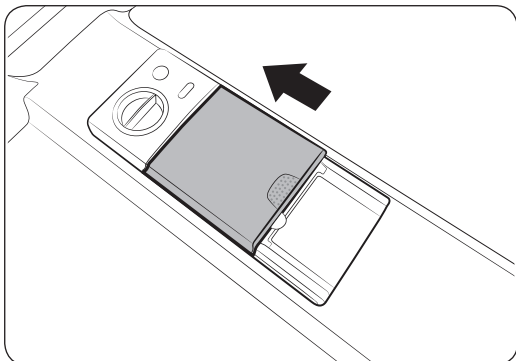
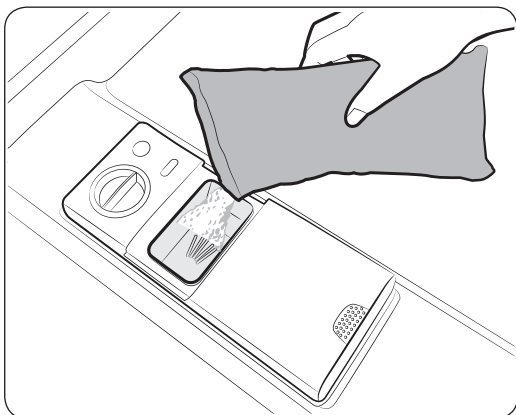
Use dishwasher detergent only. Other types of detergent produce excessive foam, which may decrease the dishwasher's performance or cause it to malfunction.



1. Gently press the dispenser flap to unlock, and then slide it open. Note that the dispenser flap opens at the end of each cycle.

Before you start

Before you start



2. Apply the recommended amount of detergent to the main compartment.
3. Close the flap, and then press down to lock.

NOTE

This dishwasher has no separate compartment for tablet detergent.

4. For best results, apply a small amount (half an ounce or about 15 g) of detergent onto the door. The additional detergent will activate during the pre-wash process.

Recommended amounts

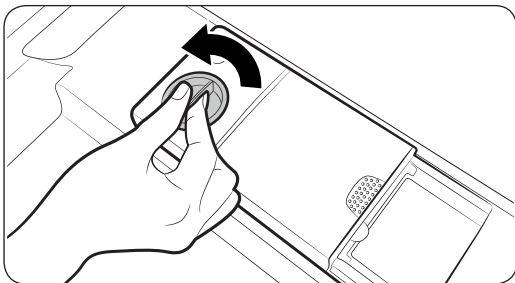
Cycle	Amount of detergent	
	Main wash dispenser	Onto the door for pre-wash
Auto, Normal	$\frac{3}{4}$ oz (20 g)	$\frac{1}{3}$ oz (10 g)
Heavy, Express 60	1 oz (30 g)	$\frac{1}{2}$ oz (15 g)
Delicate	$\frac{3}{4}$ oz (20 g)	$\frac{1}{5}$ oz (5 g)

Rinse aid

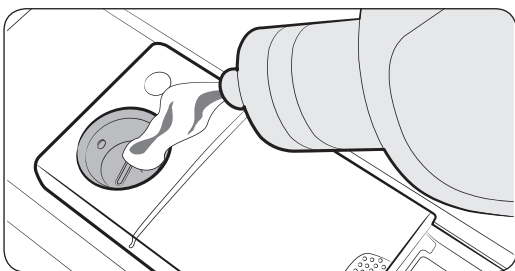
Rinse aid improves the drying performance of the dishwasher. When the Rinse Refill indicator lights up on the control panel, refill with rinse aid. Only use liquid rinse aid. Powdered rinse aid will clog the compartment opening and cause the dishwasher to malfunction.

⚠ CAUTION

- Do not apply any type of detergent to the rinse aid compartment.
- Do not excessively fill the compartment. Excessive rinse aid may overflow during a cycle.

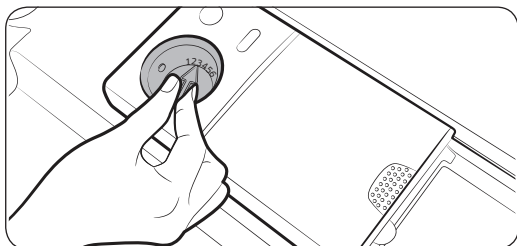


1. Turn the cap counter clockwise to remove.



2. Fill the compartment with rinse aid as specified by the rinse aid manufacturer.

Before you start



3. Turn the rinse aid dial to select a rinse aid level between 1 and 6.
 - The higher the number, the more rinse aid the dishwasher uses.
 - To improve the drying performance, select a higher level.
 - If there is discoloring on the dishes, switch to a lower level.
4. Turn the cap clockwise to close.

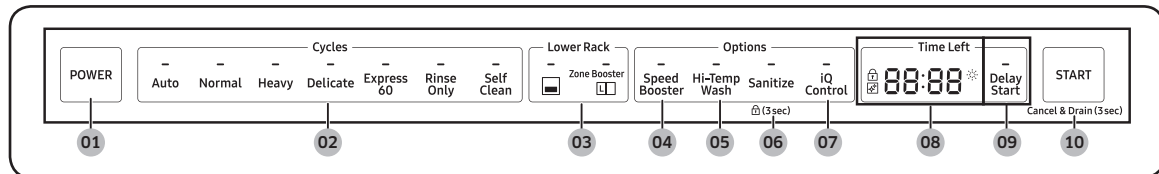
Water reflector

The water reflector automatically detects obstacles inside the dishwasher that can interfere with the reflector's signal. If an obstacle is detected at the end of a cycle, "0" blinks for several minutes. The dishwasher chimes for several minutes. If this happens, remove the obstacle.

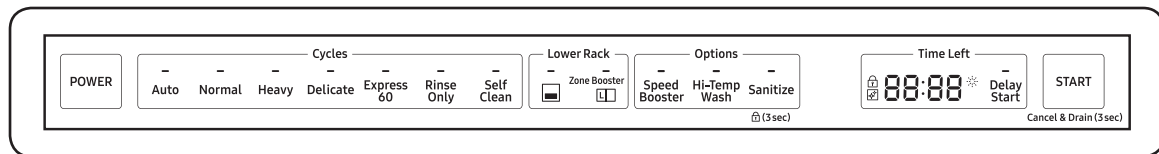
Operations

Control panel

DDW24M99** Series



DDW24T99* Series

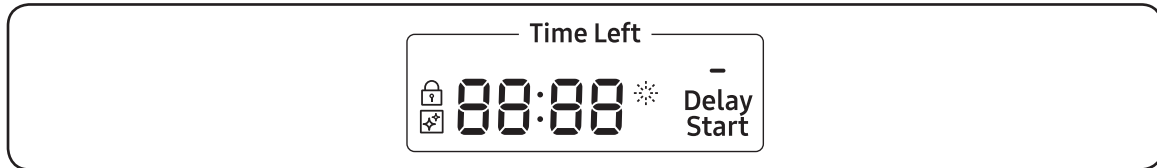


01 POWER	Press to turn the dishwasher on or off. When a cycle is complete, all other indicators turn off with “0” on the display. Then, the dishwasher turns off automatically.
02 Cycle Selector	Press to select a cycle according to the soil level of your dishes. The corresponding cycle indicator turns on. The default cycle is Normal.
03 Lower Rack	<p>Lower Rack only: If this option is selected, only the lower rack nozzle is activated to reduce both the cycle time and power consumption. Use this cycle to wash a small load of dishes or glasses in the lower rack. To wash heavily soiled items, add the Zone Booster option.</p> <p>Zone Booster: Select this option to improve the cleaning performance. A powerful jet is activated and directed at items in the left side of the lower rack. This option can increase power consumption slightly.</p> <p>NOTE If you use the lower rack only, the upper nozzle will be disabled. So do not load items in the upper rack. However, the Zone Booster option is available regardless of availability of the upper nozzle.</p>
04 Speed Booster	Select this option to reduce the cycle time. This is available only with the Auto, Normal, Heavy, and Delicate cycles.

Operations

<p>05 Hi-Temp Wash</p>	<p>Select this option to increase the main-wash temperature to improve the cleaning performance for loads containing stubborn, baked-on food. This is available only with the Auto, Normal, Heavy and Express 60 cycles.</p>
<p>06 Sanitize (Control Lock)</p>	<p>With this selected, the water temperature increases to 163 °F (73 °C) in the final rinse for high temperature sanitization. For more information, see the Options section on page 30.</p> <p>Control Lock: Control Lock allows you to lock the buttons on the control panel except for the POWER button. For more information, see the Control Lock section on page 34.</p>
<p>07 iQ Control</p>	<p>You can monitor and control the dishwasher remotely through a Wi-Fi connection. To connect the dishwasher to your smart phone for the first time, press and hold iQ Control. For more information, see the Dacor iQ Kitchen section on page 33.</p>
<p>08 Display</p>	<p>Displays information of the current cycle including the cycle name/time, remaining time, and settings as well as an information code if found.</p>
<p>09 Delay Start</p>	<p>You can delay the cycle starting time. For more information, see the Delay Start section on page 34.</p>
<p>10 START (Cancel & Drain)</p>	<p>Press START to start operation. Make sure the door is closed.</p> <p>*Cancel & Drain: To cancel the current cycle and drain the dishwasher, press and hold START for 3 seconds.</p>

Indicators



Control Lock indicator		Lights up if Control Lock is activated, and blinks for several seconds if any button except for the POWER button is pressed.
Self Clean indicator		Lights up if Self Clean is activated, and blinks for 5 seconds every 20-22 cycles. The cycle counter disappears when the Self Clean cycle is complete, or the dishwasher reaches the 23 rd cycle.
Rinse Refill indicator		Lights up if the dishwasher runs out of rinse aid.

NOTE

All indicators light up when the dishwasher enters Standby mode or is stopped. However, they all turn off when the dishwasher is operating.

Operations

Simple steps to start

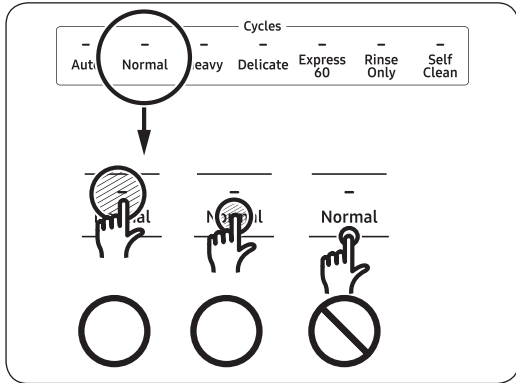
1. Open the door, and then load the dishwasher. Make sure dishes are empty.
2. If applicable, put the dishes in the lower rack. If adding the Zone Booster option, put the dishes in the left side of the lower rack.
3. Apply detergent to the detergent dispenser. For better results, add rinse aids.
4. Press **POWER**, and then select a cycle with necessary options (Speed Booster, Sanitize, etc). Availability of cycles depends on the model.
5. Press **START**, and then close the door. The dishwasher starts the cycle after draining for a few seconds.

NOTE

- To change the cycle after it has started, press and hold **START** for 3 seconds to cancel the cycle. Then, select a new cycle.
- The default cycle is Normal.
- To resume after you open the door to stop the dishwasher while operating, simply close the door.

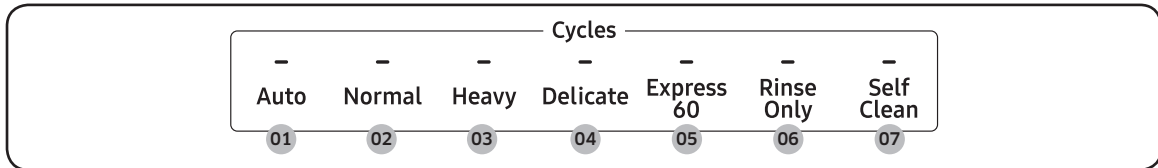
Touchpad responsiveness

To prevent the touch-enabled controls from losing responsiveness, follow these instructions.



- Touch the center of each button with one finger.
- Do not touch more than one button at a time, except as directed.
- Clean the surface of the control panel regularly with a soft, damp cloth.

Cycle overview



01 Auto	This cycle detects the level of soil and automatically initiates the optimal cycle, which is appropriate for all levels of soiled items.
02 Normal	This cycle reduces power and water consumption, which is appropriate for normally soiled items. To reduce the cycle time, select the Speed Booster option.
03 Heavy	Select this cycle for heavily soiled items.
04 Delicate	Select this cycle for lightly soiled, fragile items such as fine, crystal, and wine glasses. With this selected, the Zone Booster and Sanitize options will be disabled. ⚠ CAUTION Do not use this cycle for other glassware. Clouding or etching may occur.

Operations

05 Express 60	Select this cycle to clean lightly soiled items within about 1 hour. With this selected, the Speed booster and Zone Booster options will be disabled.
06 Rinse Only	Select this cycle to only rinse items that do not need to be washed. This cycle does not use detergent.
07 Self Clean	Use this cycle to clean the dishwasher's tub. Make sure the dishwasher is empty. If the dishwasher needs self cleaning, the Self Clean indicator blinks for 5 seconds after the dishwasher turns on. If you start the dishwasher when the indicator is blinking, the indicator will turn off automatically. ⚠ CAUTION Do not use this cycle to clean dishes.

Options

Speed Booster	Select this option to reduce the cycle time.
Hi-Temp Wash	Select this option to increase the main-wash temperature to improve the cleaning performance for loads containing stubborn, baked-on food.
Sanitize	<p>With this selected, the water temperature increases to 163 °F (73 °C) in the final rinse for high temperature sanitization. The corresponding indicator blinks when the water temperature reaches the sanitary temperature (over 155 °F / 68 °C), and then stays solid until the sanitizing process is complete.</p> <ul style="list-style-type: none"> • The Sanitize function complies with NSF/ANSI Standard 184 for residential dishwashers. Certified residential dishwashers are not intended for licensed food establishments. Your dishwasher is NSF Certified. • Only the Heavy cycle with the Sanitize option has been designed to meet the requirements for soil removal and sanitization efficacy in NSF 184. • Unavailable with the Delicate and Rinse Only cycles.

Settings

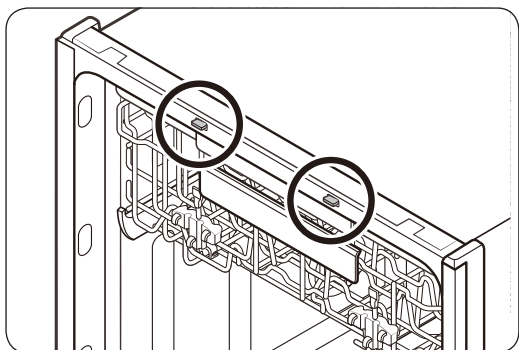
You can change the sound settings or display brightness to your preference. To change the settings, press **Delay Start** and **Sanitize** simultaneously for 3 seconds. Press **Sanitize** to navigate through sub menus, and press **Delay Start** to confirm your changes.

Sound > Auto Release™ Dry
U1/U0 A1/A0

Sound

Press **Sanitize** until 'U1' or 'U0' is displayed. To mute the dishwasher, select 'U0', and then press **Delay Start**. To unmute, select 'U1', and then press **Delay Start**.

Auto Release™ Dry



The Auto Release™ Dry function is designed to improve drying performance. It automatically opens the dishwasher's door 5 to 15 minutes before a cycle ends. You can use 2 methods to activate or deactivate this function.

Operations

In Setting mode

1. Press and hold **Delay Start** and **Sanitize** simultaneously for 3 seconds to enter Setting mode.
2. Keep pressing **Sanitize** until 'A1' or 'A0' is displayed. Select one between 'A1' (enabled) and 'A0' (disabled). For better results, select 'A1' (default).
3. Press **Delay Start** to confirm your changes.

On the control panel

- To activate the Auto Release™ Dry function, press and hold **Lower Rack** and **Hi-Temp Wash** simultaneously for 3 seconds. 'A1' will be displayed.
- To deactivate, press and hold the buttons again for 3 seconds. 'A0' will be displayed.

NOTE

- Once the door opens to let steams out, it cannot be closed manually for the next 2 minutes. This is normal and not a product defect.
- This function is not available with the Rinse Only cycle.

Special features

Dacor iQ Kitchen (applicable models only)

This product is a smart dishwasher that supports the Dacor iQ Kitchen.

How long the app takes to connect to and register the dishwasher depends on your network conditions.

Installation

Visit the Google Play Store, Galaxy Apps, or Apple App Store and search for “Dacor iQ Kitchen”. Download and install the Dacor iQ Kitchen app provided to your smart device.

NOTE

- The Dacor iQ Kitchen app is designed for Android 4.0 (ICS) or higher, or iOS 8.0 or higher.
- For improved performance, the Dacor iQ Kitchen app is subject to change without notice.

Registering a Samsung account

To use the Dacor iQ Kitchen app, you must first sign in to your Samsung account. If you don't have a Samsung account, select **Register** in the app, and then follow the on-screen instructions to create an account.



Operations

Getting started

Using Dacor iQ Kitchen, you can control your dishwasher from your smart device remotely. For improved performance, the content and design of the app is subject to change without notice.

1. Launch the Dacor iQ Kitchen App on your smartphone.
2. If 'Dish Washer's' is not listed, tap **Add Device** > **Select other device** > **Dish Washer** on the app screen.
3. Press and hold **Smart Control** on your dishwasher's control panel for more than 5 seconds until the 'AP' message appears on the display.
4. When the device registration is complete, turn on the Smart Control function on your dishwasher and control your dishwasher remotely.

Delay Start

You can delay the cycle starting time up to 24 hours in 1-hour increments. To increase the delay time, press **Delay Start** (🕒). The hour displayed indicates the time at which the cycle will start.

1. Open the door, and then load the dishwasher.
2. Press **Delay Start** (🕒), and then press or hold **Delay Start** (🕒) to change the time in 1-hour increments.
3. Close the door, and then press **START**.

NOTE

To change the delay time once the dishwasher has started, press **POWER** and restart the dishwasher.

Control Lock

To prevent children from playing with the dishwasher, Control Lock locks all button controls except for **POWER**.

- To activate Control Lock, press and hold **Sanitize** for 3 seconds. With Control Lock activated, you cannot select a cycle or option, or start an operation.
- To deactivate Control Lock, press and hold **Sanitize** again for 3 seconds
- Control Lock remains active after the dishwasher restarts. To cancel Control Lock, you must deactivate it first.
- To add detergent or more items while Control Lock is active, you must deactivate Control Lock first.



Care and Maintenance

Cleaning

Keep the dishwasher clean to improve performance, reduce unnecessary repairs, and lengthen the lifecycle.

Exterior

Clean spills on the surface of the dishwasher as they occur. Use a soft, damp cloth on the control panel to gently wipe away spills and dust.

⚠ CAUTION

- Do not use benzene, wax, thinner, chlorine bleach, alcohol, or other chemical substances. These materials may discolour the surface of the dishwasher and cause stains.
- The dishwasher has electric parts inside. Do not sprinkle water directly onto the dishwasher. Protect electrical components from coming in contact with water.
- For a stainless-steel door panel, use a stainless steel cleaner for home appliances and a clean, soft cloth.

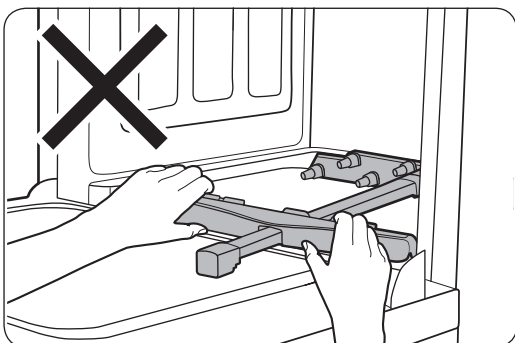
Interior

Clean the interior of the dishwasher on a regular basis to remove any dirt or food particles. Wipe inside the dishwasher and inside the door with a wet dishcloth. We recommend filling the detergent dispenser with dishwasher soap, and then running the Self Clean cycle with an empty dishwasher.

To keep the cutlery pad clean, turn it over after using it. To remove white spots and odours from the cutlery pad, run the Self Clean cycle with an empty dishwasher and no detergent until the cutlery pad flushes. Then, stop the cycle and apply an 8-ounce cup of white vinegar into the lower basket. Close the door and resume the cycle.

⚠ CAUTION

Do not remove the front seal (the long rubber seal enclosing the opening of the dishwasher). The seal keeps the inner side of the dishwasher sealed.



Use a damp cloth to remove lime scale or grease deposits inside the dishwasher. Alternatively, apply some detergent, and then run an empty cycle using the highest rinse temperature.

⚠ CAUTION

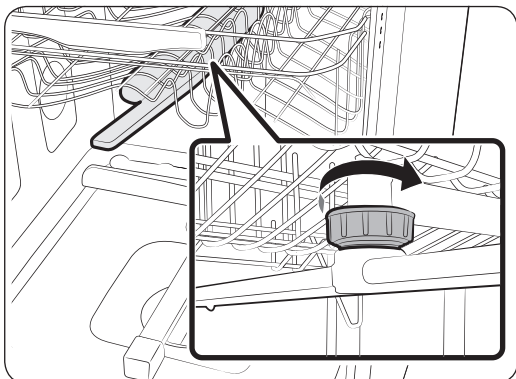
To avoid damaging the motor, use caution when manually moving the water reflector.

Care and Maintenance

Nozzles

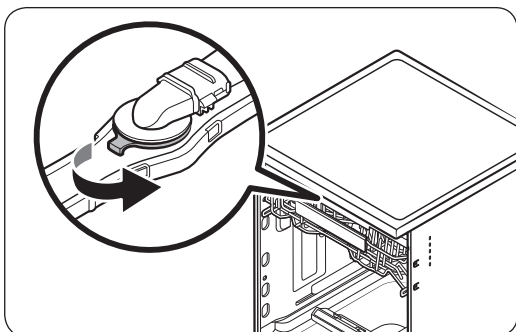
To prevent the nozzles from being clogged or if the nozzles are clogged, remove and clean each nozzle. Use caution when removing the nozzles as they may break.

Upper nozzle



1. Open the door, and then pull out the upper rack to reveal the upper nozzle.
2. Loosen and remove the nut, and then remove the nozzle.
3. Unclog and clean the nozzle.
4. Reinsert the nozzle, and then tighten the nut by hand.
5. Rotate the nozzle by hand to make sure the nozzle is engaged correctly

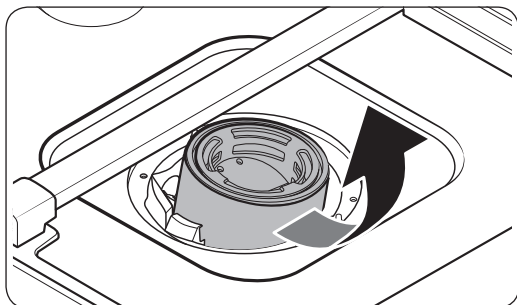
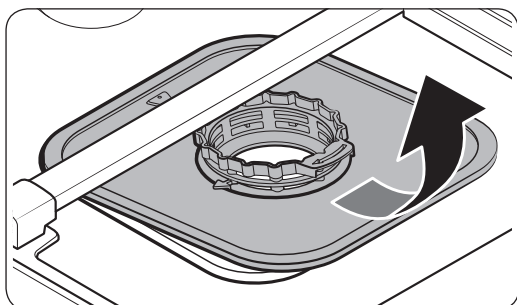
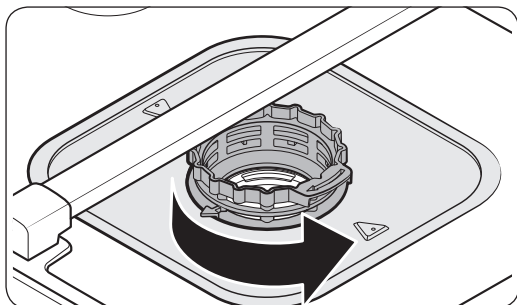
Top nozzle



1. Open the door, and then pull out the upper rack. The top nozzle is visible on the top.
2. Turn counter clockwise and remove the nozzle cap, and then remove the nozzle.
3. Unclog and clean the nozzle.
4. Reinsert the nozzle, and then tighten the cap clockwise.
5. Rotate the nozzle by hand to make sure the nozzle is engaged correctly.

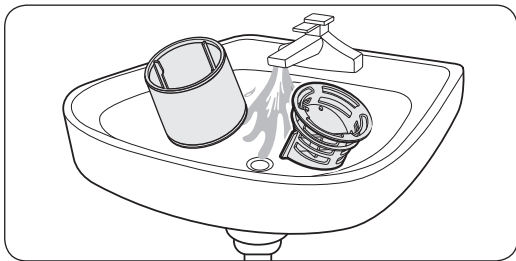
Filter

We recommend cleaning the filter every month.

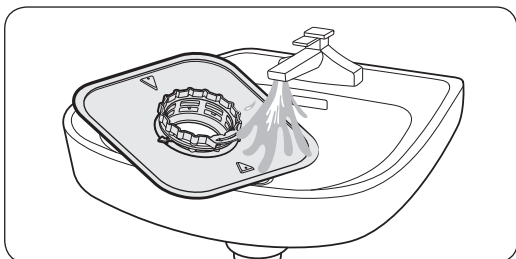


1. Open the door, and then remove the lower rack first.
2. Turn the filter handle counter clockwise to unlock the filter cover.
3. Remove the filter cover, and then the cylindrical micro filter underneath.

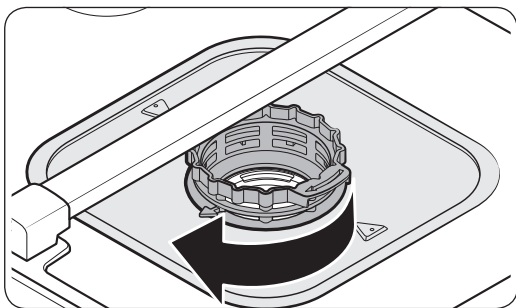
Care and Maintenance



4. Remove any dirt and impurities from the micro filter and the filter cover.
5. Rinse them with running water, and then dry well.



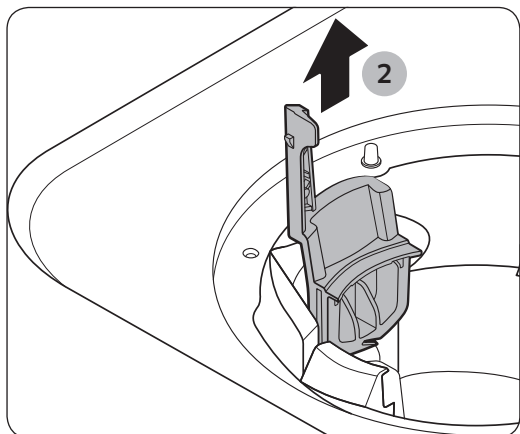
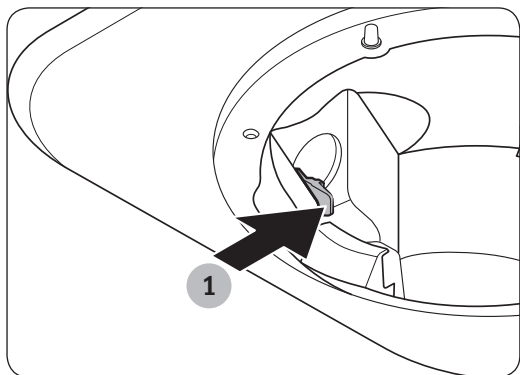
6. Reinsert the filter, and then the filter cover.
7. Turn the filter handle clockwise to lock.



CAUTION

Make sure the filter cover is closed properly. A loose cover can reduce the filtering performance.

Drain pump



If the dishwasher fails to drain because the drain pump is clogged with foreign matter or there is an abnormal noise coming from the drain pump, you must unclog and clean the drain pump as instructed below.

1. Remove the lower rack.
2. See the **Filter** section to remove the cylindrical micro filter. Then, remove any moisture from the filter using a sponge.
3. Remove the drain-pump cover by pushing its handle in the arrow direction (1), and then pulling up (2).
4. Check the impeller if it's in good condition. Then, remove any impurities from the pump.
5. Reinsert the drain-pump cover into place, and then press it down until you hear a clicking sound.

Long-term care

If you will not use the dishwasher for an extended period of time, first drain the unit completely, and then disconnect the water hose. Shut off the water supply valve and the circuit breaker. Water remaining in the hoses or the internal components can damage the dishwasher.

Troubleshooting

Checkpoints

If you encounter an issue to check with the dishwasher, first check the table below and try the suggestions.

Symptom	Possible Cause	Action
The dishwasher does not start.	The door is not completely closed.	<ul style="list-style-type: none"> • Make sure the door is latched and completely closed. • Make sure the upper rack is properly joined with the duct nozzle. • Make sure the upper rack is properly assembled.
	The START (Reset) Button is not selected.	<ul style="list-style-type: none"> • Make sure the door is latched and completely closed. Then, press START.
	No cycle is selected.	<ul style="list-style-type: none"> • Select a cycle.
	The power cord is not connected.	<ul style="list-style-type: none"> • Connect the power cord.
	Water is not being supplied.	<ul style="list-style-type: none"> • Make sure the water supply valve is open.
	The control panel is locked.	<ul style="list-style-type: none"> • Unlock the Control Lock function.
The dishwasher takes too long to start operation.	The dishwasher is connected to a cold water supply.	<ul style="list-style-type: none"> • To work properly, the dishwasher must be connected to a hot water supply. If connected to a cold water supply, additional time is required to heat the cold water.

Symptom	Possible Cause	Action
The dishwasher has bad odours.	Water remains from the previous cycle.	<ul style="list-style-type: none"> With the dishwasher empty, add detergent, and then run the Normal cycle to clean the dishwasher.
	The drain hose is obstructed.	<ul style="list-style-type: none"> Contact a qualified service technician to remove any obstruction from the drain hose.
	The dishwasher is not used daily or soiled dishes are left in unit too long.	<ul style="list-style-type: none"> With the dishwasher empty and no detergent, place a glass with 8 ounces of vinegar upright into the lower rack, and then run the Normal cycle.
Water remains in the dishwasher after a cycle has finished.	The drain hose is folded or clogged.	<ul style="list-style-type: none"> Straighten and unclog the hose.

Troubleshooting

Symptom	Possible Cause	Action
Food remains on dishes	An incorrect cycle was selected.	<ul style="list-style-type: none"> Select a cycle according to the soil level of the dishes as instructed in this manual.
	The filters or nozzles are clogged or not correctly fastened.	<ul style="list-style-type: none"> Clean the filters or nozzles. Make sure the filters are correctly fastened. See the Cleaning section on page 35.
	An insufficient amount of detergent or no detergent was used.	<ul style="list-style-type: none"> Use the correct amount of detergent for each load. We recommend using a powdered or gel type of detergent.
	The water pressure is low.	<ul style="list-style-type: none"> Make sure the pressure is between 20 psi and 120 psi (140-830 kPa).
	The water temperature is low.	<ul style="list-style-type: none"> Connect the water supply line to a hot water supply. For best performance, the temperature of the supplied water must reach 120 °F (49 °C).
	Dishes improperly loaded or overloaded.	<ul style="list-style-type: none"> Arrange the dishes so they do not interfere with the nozzles and/or the detergent dispenser. See the Loading dishes section on page 17.
	The water is too hard.	<ul style="list-style-type: none"> Use a commercial dishwasher cleaner. Use high-quality, fresh detergent with rinse aid. Clean the filter at least once per month. Use a water softener additive designed for dishwashers featuring the water softener.

Symptom	Possible Cause	Action
Dishes are not dried well.	There is no rinse aid in the dispenser, or not enough rinse aid was used.	<ul style="list-style-type: none"> Add a liquid type of rinse aid. Check the rinse aid settings.
	The water temperature is low when the dishwasher is operating.	<ul style="list-style-type: none"> Connect the water supply line to a hot water source. Use rinse aid with the Sanitize option.
	Too many dishes have been loaded.	<ul style="list-style-type: none"> Proper loading of items can affect drying performance. Load your dishes as recommended. See the Loading dishes section on page 17.
	Glasses and cups spilled water onto other dishes while being unloaded.	<ul style="list-style-type: none"> Empty the lower rack first, and then the upper rack. This will avoid water dripping from the upper rack onto the dishes in the lower rack.
	Auto Release™ is turned off.	<ul style="list-style-type: none"> Turn Auto Release™ Dry on. Press and hold Lower Rack and Hi-Temp Wash for 3 seconds to access the Auto Release™ menu. Select A1 to activate Auto Release™ Dry.
The dishwasher is too noisy.	The dishwasher makes a sound when the dispenser cover is open and the drain pump has just started.	<ul style="list-style-type: none"> This is normal.
	The dishwasher is not level.	<ul style="list-style-type: none"> Make sure the dishwasher is level.
	Foreign material (screws, plastic pieces) is in the pump chamber.	<ul style="list-style-type: none"> Contact a qualified service technician to remove foreign materials from the pump chamber.
	The nozzle bumps against the dishes, creating a chopping sound.	<ul style="list-style-type: none"> Rearrange the dishes.

Troubleshooting

Symptom	Possible Cause	Action
Leaves glasses with a light film.	<ul style="list-style-type: none"> The water supplied is soft and too much detergent was used. Aluminium dishes were included in the wash load. 	<ul style="list-style-type: none"> Underload the dishwasher and use a rinse aid to reduce the detergent. Remove the marks on the dishes using a low sensitivity cleaner.
Yellow or brown film remains on dishes.	Coffee and tea soils.	<ul style="list-style-type: none"> Remove the soils using a spot cleaner.
The nozzle does not rotate smoothly.	The nozzle is clogged with food particles.	<ul style="list-style-type: none"> Clean the nozzle. See the Cleaning section on page 35.
	The nozzle is blocked by a dish or pot and cannot rotate.	<ul style="list-style-type: none"> After placing the dishes into the racks, rotate the nozzle by hand to check whether any of the dishes interfere with the nozzle.
Water won't pump out of the dishwasher.	The drain system is clogged.	<ul style="list-style-type: none"> Clean the drain pump by removing the drain pump cover. See the Drain pump section on page 39.
The upper rack is bent after dishes are loaded.	The dishes are not loaded properly.	<ul style="list-style-type: none"> Arrange the dishes as recommended. See the Loading dishes section on page 17.

Information codes

If the dishwasher fails to operate, you may see an information code on the display. Check the table below and try the suggestions.

Code	Action
LC	Leakage check <ul style="list-style-type: none">• Close the water supply valve. Go to your home's circuit breaker panel, and set the dishwasher's circuit breaker switch to off. Then, contact the installer to repair. If the issue continues, contact a local Dacor customer center.
4C	Water supply check <ul style="list-style-type: none">• Check if the water supply valve is closed, if the water supply is suspended, or if the water inlet valve or line is frozen or clogged by foreign particles. If the issue continues, contact a local Dacor customer center.
5C	Drain check <ul style="list-style-type: none">• Close the water supply valve. Check if the drain hose is clogged or folded. Check if the drain hole inside the pump is clogged. If the issue continues, contact a local Dacor customer center.
HC	High temperature heating check <ul style="list-style-type: none">• Functional check. With the dishwasher empty, add detergent, and then run a cycle. If the issue continues, go to your home's circuit breaker panel, and set the dishwasher's circuit breaker switch to off. Then, contact a local Dacor customer center.
3C	Pump operation check <ul style="list-style-type: none">• Functional check. Turn off the dishwasher and restart. If the issue continues, contact a local Dacor customer center.
PC	Zone wash function check <ul style="list-style-type: none">• Functional check. Turn the dishwasher off and try to start it again. If the issue continues, contact a local Dacor customer center.
AP	Connect with a smart phone. <ul style="list-style-type: none">• When the control panel displays 'AP', press and hold iQ Control on the control panel to connect your dishwasher with your smart phone.

If any information code keeps appearing on the screen, contact Dacor customer center.
Phone: (800) 793-0093 (U.S.A. and Canada)
Service: Monday through Friday 6:00 A.M. to 5:00 P.M. Pacific Time

Cycle chart

Cycle	Pre-Wash1	Pre-Wash2	Pre-Wash3	Main wash	Rinse1	Rinse2	Rinse3
Auto	●	●	●	● 122-140 °F (50-60 °C)	●	○	
Normal	●	○	○	● 113-143 °F (45-62 °C)	●	○	
Heavy	●	●	●	● 149 °F (65 °C)	●	●	●
Delicate	●			● 122 °F (50 °C)	●	●	
Express 60				● 122 °F (50 °C)	●		
Rinse Only					● 104 °F (40 °C)		

Cycle	Last Rinse (Sanitize)	Dry	Water [gal(L)]
Auto	● 136-154 °F (58-68 °C) 163 °F (73 °C)	●	4.8-6.0 (18.0-22.8 L)
Normal	● 131-149 °F (55-65 °C) 163 °F (73 °C)	●	2.5-5.8 (9.5-22.1 L)
Heavy	● 154 °F (68 °C) 163 °F (73 °C)	●	7.5 (28.3 L)
Delicate	● 149 °F (65 °C)	●	4.5 (17.0 L)
Express 60	● 140 °F (60 °C) 163 °F (73 °C)	●	2.9 (11.1 L)
Rinse Only			1.1 (4.1 L)

- The temperatures (°F and °C) in the Last Rinse column represent the water temperature when you select **Sanitize**.
- When you select the **Auto** or **Normal** cycle, you can eliminate optional steps depending on the soil level of the dishes.
- The water consumption and cycle time varies depending on the steps or options you add, and on the pressure and temperature of the supplied water.
- When no rinse aid is added, the cycle time and the Last Rinse temperature can increase slightly.

Appendix

Helping the environment

- Your dishwasher is manufactured from recyclable materials. If you decide to dispose of it, please observe local waste disposal regulations. Cut off the power cable so that the appliance cannot be connected to a power source.
- Remove the door so that animals and small children cannot get trapped inside the appliance.
- Do not exceed the detergent quantities recommended in the detergent manufacturers' instructions.

Specifications

MODEL	DDW24M999UM / DDW24M999US / DDW24T998US / DDW24T999BB (Built-in Dishwasher)
Power	120 V / 60 Hz AC only, 15 A circuit breaker
Water pressure	20-120 psi (140-830 kPa)
Wash capacity	14 place setting
Rated power	Wash Motor: 60-100 W Heater: 1100 W
Dimension (Width x Depth x Height)	DDW24M999UM / DDW24M999US / DDW24T998US : 23½" X 22 ¹³ / ₁₆ " X 32¼" (598 X 580 X 820 mm) DDW24T999BB : 23½" X 21 ⁷ / ₈ " X 32¼" (598 X 555 X 820 mm)
Weight (Unpacked)	DDW24M999UM / DDW24M999US / DDW24T998US : 101 lb (46 kg) DDW24T999BB : 99 lb (45 kg)

Warranty and Service

Getting help

Before you request service:

1. Review the **Troubleshooting** section of this manual (pages 40-45).
2. Use the helpful tips found in our **Troubleshooting**.
3. Become familiar with the warranty terms and conditions of your product.
4. If none of these tips or suggestions resolves your problem, call our Customer Service center at the number below.

Dacor's Customer Service center is available
6:00 am - 5:00 pm Pacific Time.

For warranty repairs or questions and for Dacor Distinctive Service (DDS) in the US and Canada

Phone: (800) 793-0093, extension 2822

For non-warranty repairs or questions in the US and Canada

Phone: (800) 793-0093, extension 2813

Contact us through our web site at:

www.dacor.com/contact-us

Warranty

What Is Covered

CERTIFICATE OF WARRANTIES: DACOR DISHWASHERS

WITHIN THE FIFTY STATES OF THE U.S.A., THE DISTRICT OF COLUMBIA AND CANADA:

FULL ONE-YEAR WARRANTY

The warranty applies only to the Dacor appliance sold to the first use purchaser, starting from the date of original retail purchase or closing date for new construction, whichever period is longer. Warranty is valid on products purchased brand new from a Dacor Authorized Dealer or other seller authorized by Dacor.

If your Dacor product fails to function within one year of the original date of purchase, due to a defect in material or workmanship, Dacor will remedy it without charge to you. All cosmetic damage (such as scratches on stainless steel, paint/porcelain blemishes, etc.) to the product or included accessories must be reported to Dacor within 60 days of the original purchase date to qualify for warranty coverage.

Consumable parts such as filters and light bulbs are not covered and are the responsibility of the purchaser.

TWENTY-FIVE YEAR WARRANTY

On rust-through of stainless steel tank and door.

LIMITATIONS OF COVERAGE

Service will be provided by a Dacor designated service company during regular business hours. Please note service providers are independent entities and are not agents of Dacor.

Dealer display and model home display products with a production date greater than 5 years, products sold "As Is," and products installed for non-residential use, which include but are not limited to religious organizations, fire stations, bed and breakfast and spas carry a one year parts warranty only. All delivery, installation, labor costs and other service fees are the responsibility of the purchaser.

Warranty will be null and void on product that has altered, defaced or missing serial numbers and tags.

The owner must provide proof of purchase or closing statement for new construction upon request. All Dacor products must be accessible for service. Warranty is null and void if non-ETL, non-CUL or non-CSA approved product is transported from the U.S.A.

OUTSIDE THE FIFTY STATES OF THE U.S.A., THE DISTRICT OF COLUMBIA AND CANADA: LIMITED FIRST-YEAR WARRANTY

LIMITED FIRST YEAR WARRANTY

If your Dacor product fails to function within one year of the original date of purchase due to a defect in material or workmanship, Dacor will furnish a new part, F.O.B. factory to replace the defective part.

All delivery, installation, labor costs and other service fees are the responsibility of the purchaser.

Warranty and Service

What Is Not Covered

- Slight color variations may be noticed because of differences in painted parts, kitchen lighting, product placement and other factors; this warranty does not apply to color variation.
- Service calls to educate the customer on proper use and care of the product.
- Service fees for travel to islands and remote areas, which include but are not limited to, ferries, toll roads or other travel expenses.
- Consequential or incidental damage, including but not limited to food or medicine loss, time away from work or restaurant meals.
- Failure of the product when used for commercial, business, rental or any application other than for residential consumer use.
- Failure of the product caused by improper product installation.
- Replacement of house fuses, fuse boxes or resetting of circuit breakers.
- Damage to the product caused by accident, fire, flood, power interruption, power surges or other acts of God.
- Liability or responsibility for damage to surrounding property including cabinetry, floors, ceilings and other structures or objects around the product.
- Breakage, discoloration or damage to glass, metal surfaces, plastic components, trim, paint or other cosmetic finish caused by improper usage, care, abuse or neglect.

Out of Warranty

Should you experience a service issue beyond the standard warranty period, please contact us. Dacor reviews each issue and customer concern to provide the best possible solution based on the circumstances.

THE REMEDIES PROVIDED IN THE ABOVE EXPRESS WARRANTIES ARE THE SOLE AND EXCLUSIVE REMEDIES. THEREFORE, NO OTHER EXPRESS WARRANTIES ARE MADE, AND OUTSIDE THE FIFTY STATES OF THE UNITED STATES, THE DISTRICT OF COLUMBIA AND CANADA, ALL IMPLIED WARRANTIES, INCLUDING BUT NOT LIMITED TO, ANY IMPLIED WARRANTY OF MERCHANTABILITY OR FITNESS FOR A PARTICULAR USE OR PURPOSE, ARE LIMITED IN DURATION TO ONE YEAR FROM THE DATE OF ORIGINAL PURCHASE. IN NO EVENT SHALL DACOR BE LIABLE FOR INCIDENTAL EXPENSE OR CONSEQUENTIAL DAMAGES. IN THE EVENT DACOR PREVAILS IN ANY LAWSUIT, DACOR SHALL BE ENTITLED TO REIMBURSEMENT OF ALL COSTS AND EXPENSES, INCLUDING ATTORNEY'S FEES, FROM THE DACOR CUSTOMER. NO WARRANTIES, EXPRESS OR IMPLIED, ARE MADE TO ANY BUYER FOR RESALE.

Some states do not allow limitations on how long an implied warranty lasts, or do not allow the exclusion or limitation of inconsequential damages, therefore the above limitations or exclusions may not apply to you. This warranty gives you specific legal rights, and you may also have other rights that vary from state to state.

Memo



DD68-00196A-00

dacor[®]

Dacor • 14425 Clark Avenue, City of Industry, CA 91745 • Phone: (800) 793-0093 • Fax: (626) 403-3130 • www.dacor.com



dacor[®]

Manuel d'utilisation

Lave-vaisselle encastrable Modernist / Heritage

Série DDW24M99*

Série DDW24T99*

Table des matières

Consignes de sécurité	5
Ce que vous devez savoir sur les consignes de sécurité	5
Symboles de sécurité importants	5
Avant d'utiliser votre lave-vaisselle	8
Informations relatives à la réglementation	8
Avant de commencer	12
Vue d'ensemble du lave-vaisselle	12
Utilisation de base des paniers	14
Précautions relatives au chargement de la vaisselle	16
Recommandations relatives au produit de lavage	21
Opérations	25
Tableau de commande	25
Étapes simples pour commencer	28
Sensibilité du pavé tactile	29
Présentation des programmes	29
Réglages	31
Fonctions spéciales	33
Précautions d'entretien	35
Nettoyage	35
Entretien sur le long terme	39
Dépannage	40
Points de contrôle	40
Codes d'information	45

Tableau des programmes	46
<hr/>	
Annexe	47
Protection de l'environnement	47
Caractéristiques techniques	47
<hr/>	
Garantie et assistance	48
Obtenir de l'aide	48
Garantie	48



Chers clients,

Vous venez d'acheter l'un des produits Dacor® les plus récents et nous vous en félicitons ! Notre gamme The Life of the Kitchen™ est une combinaison unique de fonctionnalités, de styles et de performances qui apporte une réelle valeur ajoutée à votre intérieur.

Afin de prendre connaissances des commandes, des fonctions et de tout le potentiel de votre nouvel appareil distinctif, lisez attentivement ce manuel d'utilisation et d'entretien, en commençant par la section **Consignes de sécurité**.

Tous les appareils Dacor sont conçus et fabriqués avec qualité et fierté dans le respect de nos valeurs d'entreprise. Si vous rencontrez un problème avec votre appareil, veuillez d'abord consulter la section **Dépannage** de ce manuel pour obtenir des conseils. Il vous donnera des suggestions et des solutions avant de contacter le service d'assistance.

Nos clients nous aident à améliorer nos produits et nos services de façon continue. N'hésitez pas à contacter notre équipe du service client pour obtenir de l'aide en cas de besoin.

Équipe du service client Dacor
14425 Clark Avenue
City of Industry, CA 91745

Téléphone : (800) 793-0093
Fax : (626) 403-3130
Horaires d'ouverture : du lundi au vendredi, de 06 h 00 à 17 h 00 (heure du Pacifique)
Site web : www.Dacor.com

Merci d'avoir choisi Dacor pour votre foyer. Nous sommes une entreprise créée par des familles pour des familles et nous nous mettons au service de la vôtre. Nous sommes convaincus que votre nouveau produit Dacor vous apportera plaisir et hautes performances pendant de nombreuses années.

Sincères salutations,

The Dacor Customer Service Team

Consignes de sécurité

Félicitations pour l'acquisition de votre nouveau lave-vaisselle Dacor. Ce manuel contient des informations importantes concernant l'installation, l'utilisation et l'entretien de votre appareil. Veuillez le lire attentivement afin de profiter pleinement des nombreux avantages et fonctions qu'offre votre lave-vaisselle.

Ce que vous devez savoir sur les consignes de sécurité

Les avertissements et les consignes de sécurité importantes contenus dans ce manuel ne sont pas exhaustifs. Il est de votre responsabilité de faire appel à votre bon sens et de faire preuve de prudence et de minutie lors de l'installation, de l'entretien et de l'utilisation du lave-vaisselle.

Symboles de sécurité importants

Signification des icônes et des symboles utilisés dans ce manuel :

AVERTISSEMENT

Risques ou manipulations dangereuses susceptibles d'entraîner **des blessures graves, voire mortelles**. Afin de réduire les risques d'incendie, d'explosion, d'électrocution ou de blessures lors de l'utilisation du lave-vaisselle, vous devez respecter ces règles de sécurité de base :

ATTENTION

Les situations ou manipulations dangereuses pouvant entraîner **des blessures ou des dommages matériels**.

Ces symboles d'avertissement visent à éviter que vous ou quelqu'un d'autre ne se blesse.

Veuillez vous y conformer scrupuleusement.

Lorsque vous aurez terminé de lire ce manuel, conservez-le dans un endroit sûr afin de pouvoir le consulter ultérieurement.

CONSERVEZ PRÉCIEUSEMENT CES INSTRUCTIONS

Consignes de sécurité

AVERTISSEMENT

Avertissement concernant la proposition 65 de l'État de la Californie (États-Unis uniquement)

Cet appareil contient des produits chimiques connus de l'État de la Californie pour causer le cancer et des anomalies congénitales ou des effets nocifs sur la reproduction.

AVERTISSEMENT

Lorsque vous utilisez le lave-vaisselle, respectez les consignes de base suivantes :

1. Lisez toutes les consignes de sécurité avant d'utiliser le lave-vaisselle.
2. Utilisez le lave-vaisselle uniquement pour l'utilisation prévue.
3. Utilisez uniquement des produits de lavage et des produits mouillants spécialement conçus pour lave-vaisselle et maintenez-les hors de portée des enfants.
4. Lors du chargement d'objets à laver :
 - positionnez les objets tranchants de manière à ce qu'ils ne risquent pas d'endommager le joint de la porte et
 - chargez les couteaux tranchants avec le manche vers le haut afin de réduire le risque de coupures.
5. Ne lavez pas d'objets en plastique à moins qu'ils ne portent la mention « Lavable au lave-vaisselle » (ou équivalent). Pour les objets en plastique dépourvus de cette mention, consultez les recommandations du fabricant.
6. Ne touchez pas l'ÉLÉMENT CHAUFFANT pendant ou immédiatement après utilisation.
7. Ne faites jamais fonctionner le lave-vaisselle si tous les tableaux du CHÂSSIS ne sont pas en place.
8. Ne modifiez pas les touches de commande.
9. Ne forcez pas, ne vous asseyez pas et ne marchez pas sur la porte ou les paniers du lave-vaisselle.
10. Afin de limiter les risques de blessures, ne laissez pas les enfants jouer dans ou sur un lave-vaisselle.
11. Dans certaines conditions, de l'hydrogène peut être généré dans un système d'eau chaude qui n'a pas été utilisé pendant deux semaines voire plus. L'HYDROGÈNE EST UN GAZ EXPLOSIF. Si le système d'eau chaude est resté inutilisé pendant une telle durée, avant d'utiliser le lave-vaisselle, ouvrez tous les robinets d'eau chaude et laissez l'eau couler plusieurs minutes. Cela permet d'évacuer l'hydrogène éventuellement présent. Le gaz étant inflammable, ne fumez pas et n'utilisez pas de flamme nue lors de cette opération.
12. Retirez la porte du compartiment de lavage d'un ancien lave-vaisselle avant de le rapporter du service de réparation ou de le mettre au rebut.

ATTENTION

- Après déballage du lave-vaisselle, maintenez les emballages hors de portée des enfants.
- Le lave-vaisselle est très lourd. N'essayez pas de le déplacer ou de le soulever seul. Au minimum deux personnes sont nécessaires pour déplacer le lave-vaisselle et ainsi éviter tout risque de blessures.

CONSERVEZ PRÉCIEUSEMENT CES INSTRUCTIONS

- À l'instar de tout type d'équipement électrique, utilisant l'eau et comportant des parties mobiles, des risques potentiels existent.
- N'installez pas le lave-vaisselle près de composants électriques. Éloignez-le des flammes nues.
- Installez et mettez à niveau votre lave-vaisselle sur un sol non recouvert de moquette et capable de supporter son poids.
- Votre lave-vaisselle doit être correctement relié à la terre. Ne le branchez jamais à une prise non reliée à la terre. Reportez-vous à la page 7 pour plus d'informations sur la mise à la terre de votre lave-vaisselle.
- Connectez le fil de terre au connecteur de terre vert du bornier.
- Une fois le lave-vaisselle installé, vérifiez que le tuyau d'évacuation est correctement raccordé et que les raccords du tuyau ne présentent aucune fuite. Si le tuyau d'évacuation est mal fixé, cela risque d'entraîner des dégâts matériels.
- Le tuyau d'alimentation en eau est susceptible de se rompre. Avec le temps, il devient moins flexible. Vérifiez-le régulièrement. S'il est gonflé, craquelé, coupé ou s'il présente une fuite d'eau, remplacez-le immédiatement.
- Pour une utilisation sûre de cet appareil, il est fortement recommandé de vous familiariser avec ses fonctions et de rester vigilant lors de son utilisation.
- Ne mettez pas d'essence, de solvants ou autres matières inflammables dans le lave-vaisselle. Ne lavez pas d'objets ayant été exposés à ce type de matières.
- Maintenez le produit de lavage pour lave-vaisselle hors de la portée des enfants. Ce type de produits est dangereux pour la santé. Contenant des éléments de polissage, ils sont corrosifs. Évitez tout contact avec la peau ou les yeux.
- N'exercez aucune pression sur la porte lorsqu'elle est ouverte car cela risquerait d'endommager le lave-vaisselle et vous pourriez vous blesser.
- Ne laissez pas les enfants jouer dans ou sur le lave-vaisselle. Ils risqueraient de se blesser ou d'endommager le lave-vaisselle.
- Débranchez le câble d'alimentation (ou coupez le disjoncteur) avant de procéder à l'entretien de votre lave-vaisselle.
- Ne réparez pas et ne remplacez pas vous-même les éléments du lave-vaisselle. Le démontage, les réparations et les modifications ne doivent être effectués que par des techniciens de maintenance agréés. Toute intervention de la part d'une personne non autorisée risque d'annuler la garantie.
- Avant de mettre votre lave-vaisselle au rebut, retirez la porte du compartiment de lavage ou le loquet de la porte de manière à ce que des enfants ou de petits animaux ne puissent pas être emprisonnés à l'intérieur.
- Si le lave-vaisselle reste inutilisé pendant une période prolongée, coupez l'arrivée d'eau.
- Ce lave-vaisselle est prévu pour une utilisation privée uniquement.

CONSERVEZ PRÉCIEUSEMENT CES INSTRUCTIONS

Consignes de sécurité

Avant d'utiliser votre lave-vaisselle

AVERTISSEMENT



Risque de basculement

- N'utilisez pas le lave-vaisselle avant qu'il ne soit correctement installé.
- N'appuyez pas sur la porte ouverte.
- Ne placez pas de poids excessif sur la porte ouverte.



Risque d'électrocution

Le non-respect de ces consignes peut entraîner un incendie ou une électrocution et avoir des conséquences mortelles.

- Reliez le lave-vaisselle à la terre.
- Connectez le fil de terre au connecteur de terre vert de la boîte de jonction.
- N'utilisez pas de rallonge.

Informations relatives à la réglementation

Réglementation FCC

PRÉCAUTIONS RELATIVES À LA FCC :

Des changements ou des modifications sans accord exprès de la partie responsable de la conformité peuvent rendre caduque l'autorisation accordée à l'utilisateur d'employer l'appareil.

Cet appareil est conforme au paragraphe 15 de la réglementation FCC. Son fonctionnement est soumis aux deux conditions suivantes :

- (1) Cet appareil ne doit pas provoquer d'interférences néfastes, et
- (2) Cet appareil doit accepter toute interférence reçue, y compris les interférences susceptibles d'entraîner un fonctionnement indésirable.

Pour les produits disponibles aux États-Unis et au Canada, seul le canal 1~11 est disponible. D'autres canaux ne peuvent pas être sélectionnés.

CONSERVEZ PRÉCIEUSEMENT CES INSTRUCTIONS

DÉCLARATION DE LA FCC :

cet appareil a été testé ; il est conforme aux limitations applicables aux appareils numériques de classe B, selon le paragraphe 15 de la réglementation FCC. Ces limites sont destinées à assurer une protection suffisante contre les interférences néfastes dans une zone résidentielle.

Cet appareil génère, utilise et peut émettre de l'énergie radioélectrique. S'il n'est pas installé et utilisé selon les instructions, il peut entraîner des interférences néfastes pour les communications radio. Toutefois, aucune garantie n'est faite quant à l'absence d'interférences sur une installation particulière. S'il s'avère que cet appareil produit des interférences avec votre radio ou votre télévision (pour le vérifier, éteignez puis rallumez l'appareil), essayez de les éliminer à l'aide d'une ou de plusieurs des mesures suivantes :

- Réorientez l'antenne de réception ou changez son emplacement
- Augmentez la distance entre l'appareil et le récepteur
- Branchez l'appareil à une prise sur un autre circuit que la radio ou la télévision.
- Demandez de l'aide au revendeur ou à un technicien radio/TV expérimenté.

DÉCLARATION DE LA FCC CONCERNANT L'EXPOSITION AUX MICRO-ONDES :

Ce produit répond aux limites de la FCC sur l'exposition aux rayonnements établies pour un environnement non-contrôlé. Ce produit doit être installé et utilisé de sorte qu'il y ait une distance minimale de 8 pouces (20 cm) entre le radiateur et votre corps. Ce produit et sa ou ses antennes ne doivent pas être placés ou utilisés avec d'autres antennes ou transmetteurs.

CONSERVEZ PRÉCIEUSEMENT CES INSTRUCTIONS



Consignes de sécurité

Réglementation IC

Le terme « IC » devant le numéro de certification radio signifie uniquement que les spécifications techniques de l'Industrie canadienne

ont été respectées. Son fonctionnement est soumis aux deux conditions suivantes : (1) cet appareil ne doit pas provoquer d'interférences, et (2) cet appareil doit accepter toute interférence reçue, y compris les interférences susceptibles d'entraîner un fonctionnement indésirable.

Cet appareil numérique de la classe B est conforme à la norme ICES-003 du Canada.

Cet appareil numérique de la classe B est conforme à la norme NMB-003 du Canada.

Pour les produits disponibles aux États-Unis et au Canada, seul le canal 1~11 est disponible. D'autres canaux ne peuvent pas être sélectionnés.

DÉCLARATION DE L'IC CONCERNANT L'EXPOSITION AUX MICRO-ONDES :

Ce produit répond aux limites de norme la IC RSS-102 en matière d'exposition aux rayonnements établies pour un environnement non-contrôlé. Ce produit doit être installé et utilisé de sorte qu'il y ait une distance minimale de 8 pouces (20 cm) entre le radiateur et votre corps. Ce produit et sa ou ses antennes ne doivent pas être placés ou utilisés avec d'autres antennes ou transmetteurs.

CONSERVEZ PRÉCIEUSEMENT CES INSTRUCTIONS



Mention de licence libre

Le logiciel inclus dans ce produit contient un logiciel libre. Vous pouvez obtenir l'intégralité du code source correspondant pour une période de trois ans après la dernière expédition du produit en envoyant un courriel à l'adresse : <mailto:oss.request@samsung.com>.

Vous pouvez également l'obtenir dans un format physique, sur un CD-ROM par exemple, moyennant des frais limités.

L'URL suivante <http://opensource.samsung.com/opensource/SimpleConnectTP/seq/0> mène à la page de téléchargement du code source et aux informations disponibles relatives à la licence libre associés à ce produit. Cette offre est valable à toute personne recevant ces informations.



CONSERVEZ PRÉCIEUSEMENT CES INSTRUCTIONS

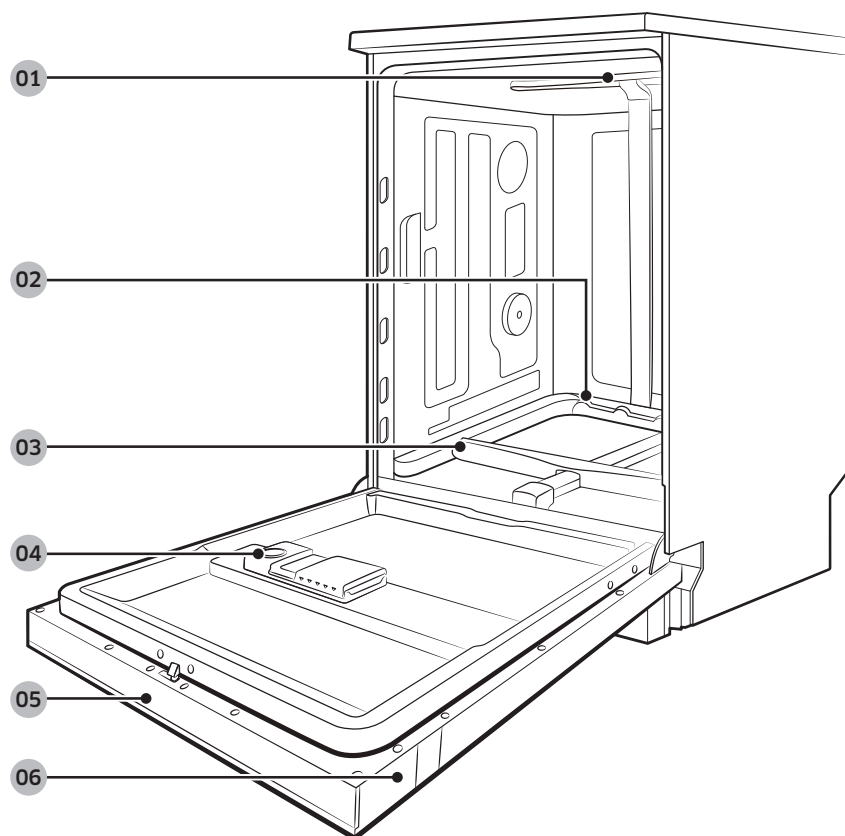
Avant de commencer

Suivez attentivement ces instructions pour installer correctement le lave-vaisselle.

- Retirez délicatement l'emballage du produit et vérifiez l'absence de dommages. Si tel est le cas, précisez-le sur le bordereau de livraison et gardez-en une copie. N'installez pas le lave-vaisselle et contactez le service client Dacor le plus proche.
- Si l'appareil n'est pas endommagé, vous pouvez procéder à l'installation. Si vous êtes sur le point d'installer le lave-vaisselle vous-même, lisez d'abord le manuel d'installation et suivez les instructions.
- Gardez l'emballage hors de portée des enfants pour des raisons de sécurité.

Avant de commencer

Vue d'ensemble du lave-vaisselle



01 Gicleur supérieur

02 Gicleur inférieur

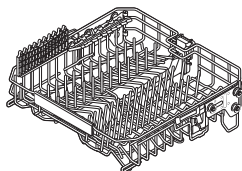
03 Réflecteur d'eau

04 Réservoir

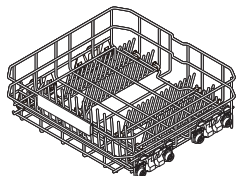
05 Tableau de commande

06 Porte

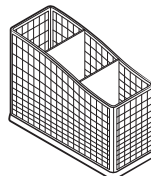
Accessoires



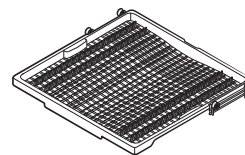
Panier supérieur



Panier inférieur



Panier à couverts

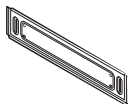


3^e panier

Autres



Kit d'installation
(manuel
d'installation/
d'utilisation fournis)



Plaque de protection

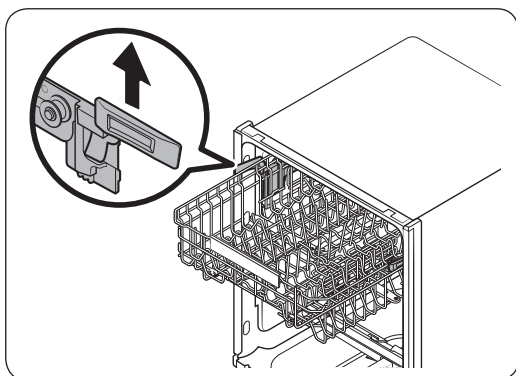
Avant de commencer

Avant de commencer

Utilisation de base des paniers

Réglage de la hauteur

Vous pouvez régler la hauteur du panier supérieur de manière à pouvoir placer des plats de plus grande taille dans le panier inférieur. Selon la hauteur du panier supérieur, le panier inférieur peut accueillir des assiettes de 12 po (30 cm) de diamètre et le panier supérieur, des assiettes de 8 po (20 cm) de diamètre.



Pour lever le panier supérieur :

Tirez le panier supérieur vers le haut. La poignée réglable se bloque et le panier supérieur se lève.

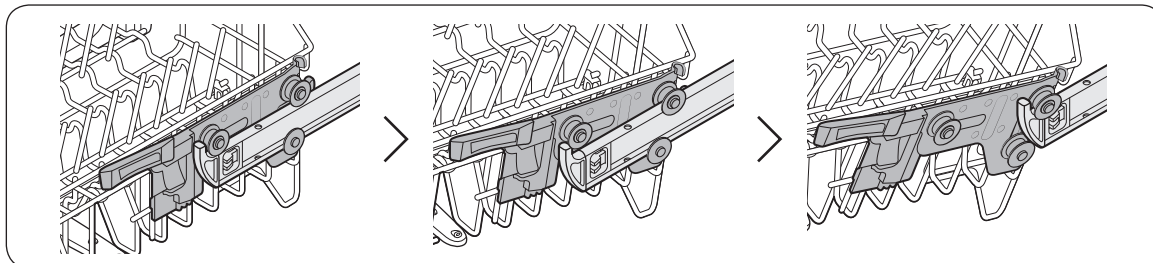
Pour abaisser le panier supérieur :

Tenez les deux poignées réglables situées sur les côtés du panier supérieur, puis appuyez de façon uniforme.

⚠ ATTENTION

- Réglez la hauteur du panier supérieur avant d'y charger la vaisselle. Autrement, vous risquez d'endommager cette dernière.
- Assurez-vous de tenir les deux poignées pendant le réglage, autrement, la porte du lave-vaisselle risque de ne pas se fermer correctement.

Pour retirer le panier supérieur



Pour retirer le panier supérieur, tirez l'intégralité du panier supérieur vers l'avant, puis levez-le délicatement. Voir les illustrations ci-dessus.

⚠ ATTENTION

- Ne mettez pas le lave-vaisselle en marche sans le panier supérieur. Autrement, le lave-vaisselle ne fonctionnera pas correctement et fera du bruit.
- Le panier supérieur étant amovible, insérez-le correctement pour que le lave-vaisselle puisse fonctionner normalement.



Avant de commencer

Précautions relatives au chargement de la vaisselle

Objets non adaptés au lave-vaisselle

Lavez uniquement des objets en verre, en porcelaine et des couverts lavables au lave-vaisselle en consultant les étiquettes du fabricant. Ne lavez pas d'objets en aluminium (les filtres à graisse par exemple). Le lave-vaisselle risque d'endommager l'objet en aluminium et, dans les cas extrêmes, de provoquer une grave réaction chimique.

Ne lavez pas les objets suivants au lave-vaisselle :

- Objets en acrylique ou en aluminium : peuvent décolorer les plats avec ornements dorés et marquer les autres objets.
- Objets assemblés par collage : les objets en plastique traité risquent de se détacher. Les objets en bois, en ivoire, en cuivre ou en étain risquent de se détacher.
- Objets en plastique ne tolérant pas des températures supérieures à 194 °F (90 °C) : les plastiques fins se lavent et se séchent difficilement et risquent d'être endommagés en raison des températures de lavage élevées.
- Étain : les objets en étain doivent être lavés à la main et séchés immédiatement. Autrement, ils risquent de rouiller.
- Objets en bois : les objets en bois risquent de se fendre.

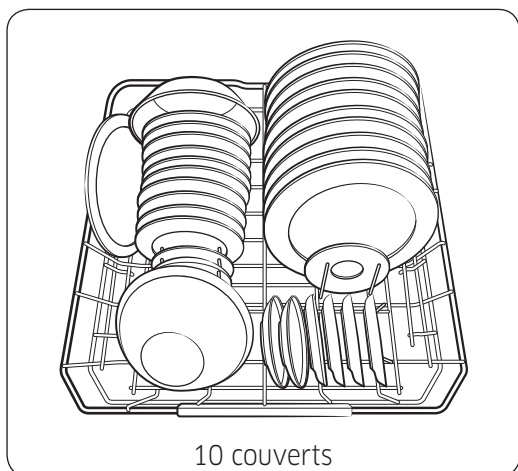
ATTENTION

- Ne lavez pas les objets recouverts de cendre, sable, cire, lubrifiant ou peinture.
- Ces matériaux endommageront le lave-vaisselle. La cendre ne se dissout pas et se répandra dans tout le lave-vaisselle.
- Retirez tous les résidus alimentaires (os, pépins, etc.) ainsi que les détrit (cure-dents, serviettes en papier, etc.) de vos plats. Les résidus alimentaires et les détrit peuvent faire du bruit, faire dysfonctionner le lave-vaisselle et endommager vos plats et votre lave-vaisselle.

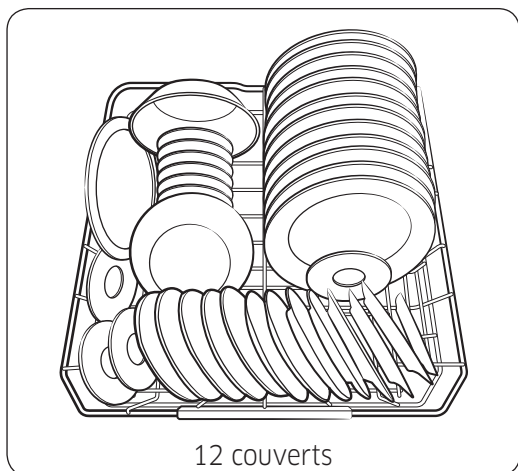


Chargement de la vaisselle

Dans le panier inférieur



10 couverts



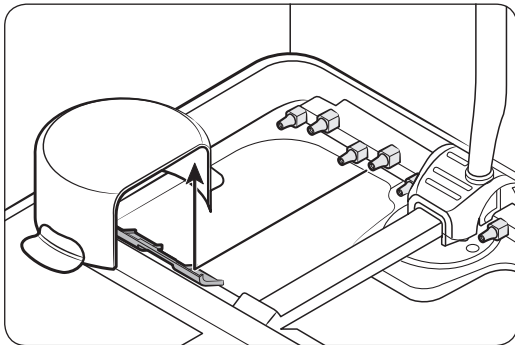
12 couverts

Placez la batterie de cuisine (chaudrons, casseroles, etc.) d'un diamètre de 12 po (30 cm) maximum dans le panier inférieur. Il a été spécialement conçu pour accueillir la vaisselle de table, les bols, les assiettes, les plats, les couvercles et les casseroles.

Placez les plats dans la colonne centrale du panier de sorte que la partie avant d'un plat soit en face de la partie arrière du plat suivant. Chargez les objets volumineux (casseroles, chaudrons) face intérieure tournée vers le bas. Il est conseillé de charger les tasses, les verres à pied et les soucoupes dans le panier supérieur. Reportez-vous aux dispositions de chargement conseillées ci-dessous.

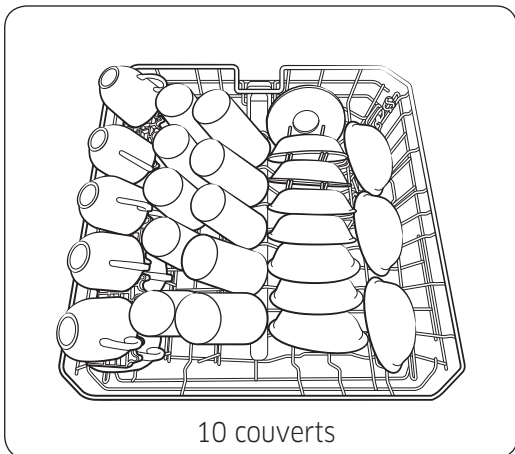
Avant de commencer

Dans la Zone Booster

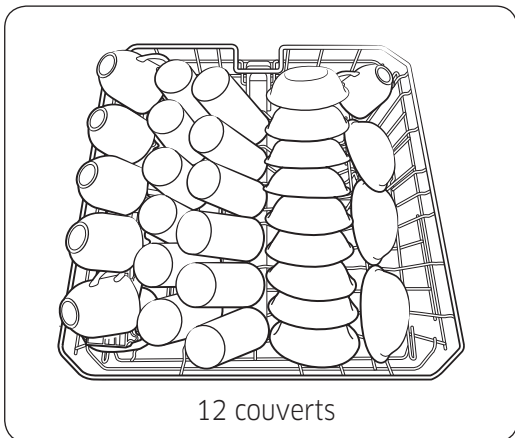


Pour un nettoyage plus efficace, placez les objets volumineux du côté gauche du panier inférieur, dans la Zone Booster. La fonction Zone Booster active des jets d'eau puissants dans la Zone Booster. Assurez-vous que les poignées des chaudrons ou des casseroles n'empêchent pas la rotation des gicleurs et du réflecteur d'eau.

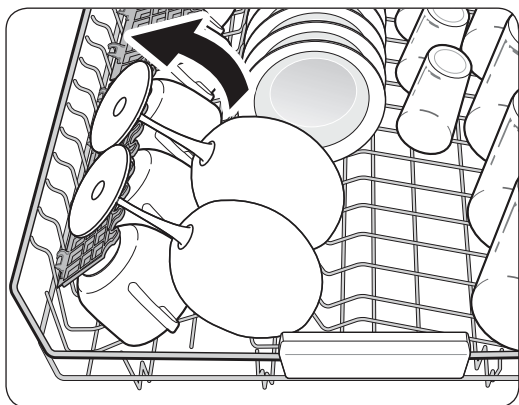
Dans le panier supérieur



Le panier supérieur est conçu pour accueillir les soucoupes, les tasses, les verres et les objets en plastique. Assurez-vous que la vaisselle n'empêche pas le gicleur situé sous le panier supérieur de tourner. (Vérifiez en faisant tourner le gicleur manuellement.). Lorsque vous chargez la vaisselle, tirez le panier supérieur de façon à pouvoir le remplir sans heurter le haut du lave-vaisselle.



Utilisation du porte-verres

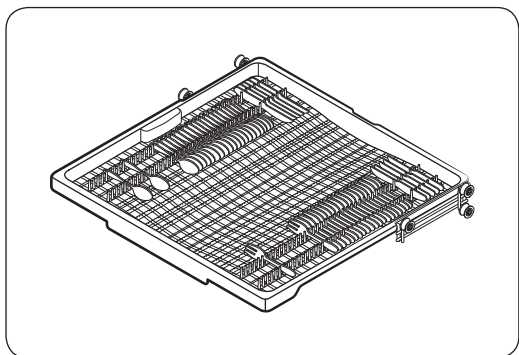


Le porte-verres est utilisé pour les tasses, petits objets et ustensiles longs, notamment les verres à vin. Glissez les verres à vin dans les encoches des clayettes à tasses. Repliez le porte-verres si vous ne souhaitez pas vous en servir au cours d'un lavage.

⚠ ATTENTION

N'ajustez pas le niveau du panier supérieur avec le porte-verres maintenu vers le haut. Il vous sera impossible de pousser le porte-verres dans le panier supérieur.

Panier à couverts



Le panier à couverts est conçu pour la vaisselle et les ustensiles de cuisine plats. Utilisez le panier à couverts pour organiser la vaisselle ou les ustensiles plats.

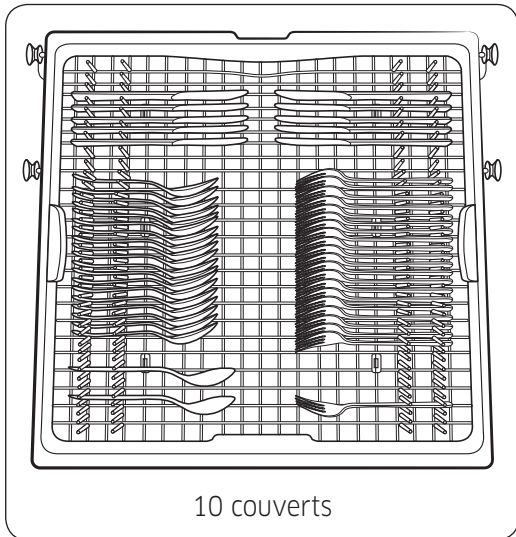
📄 REMARQUE

- Pour de meilleurs résultats, placez les objets très sales dans la panier à couverts standard.
- Vous pouvez retirer le panier à couverts pour libérer de l'espace au niveau du panier supérieur pour laver des éléments plus grands.

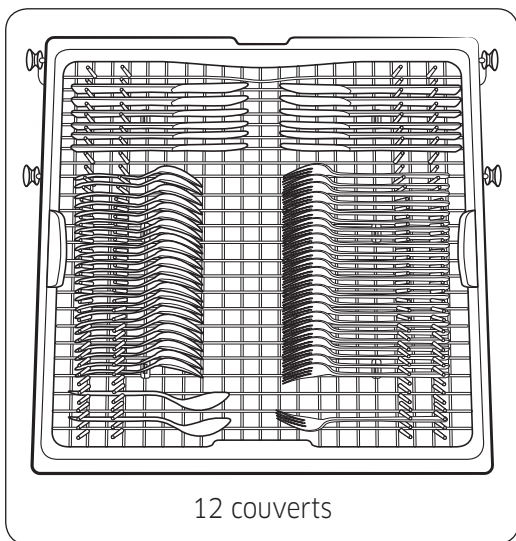
Le panier tiendra en place si la vaisselle est placée comme indiquée ci-dessus. Reportez-vous aux illustrations ci-dessous et associez les numéros de gauche avec les numéros de droite.

Avant de commencer

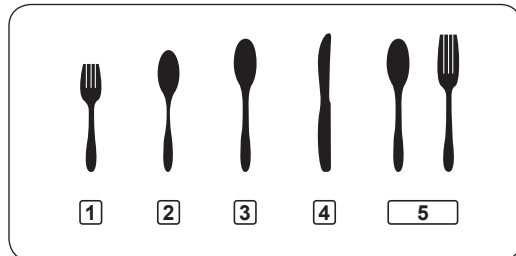
Avant de commencer



10 couverts



12 couverts



1. Fourchette
2. Cuillère à café
3. Cuillère à dessert
4. Couteau
5. Cuillère et fourchette à servir

⚠ ATTENTION

Ne laissez pas les couverts s'accumuler au fonds du panier.

Recommandations relatives au produit de lavage

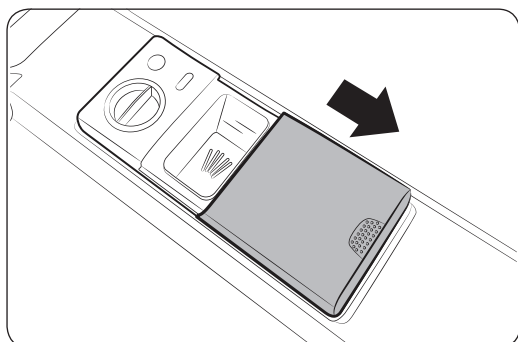
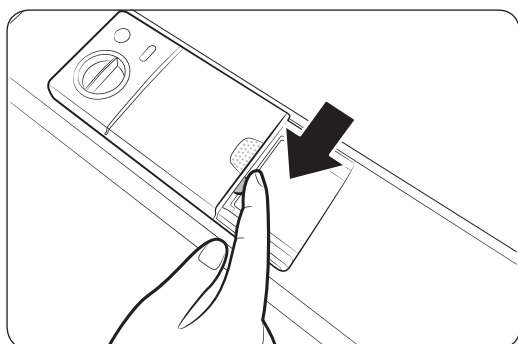
Tous les programmes du lave-vaisselle nécessitent la présence de produit vaisselle dans le compartiment dédié. Appliquez le produit vaisselle comme indiqué pour le programme sélectionné afin d'obtenir les meilleures performances.

⚠ AVERTISSEMENT

- N'ingérez pas de produit vaisselle. Évitez de respirer les vapeurs du produit de lavage. Le produit de lavage contient des produits chimiques corrosifs et irritants pouvant provoquer des problèmes respiratoires. Si vous avez ingéré du produit de lavage ou si vous avez inhalé des vapeurs, consultez immédiatement un médecin.
- Gardez le produit de lavage hors de portée des enfants.

⚠ ATTENTION

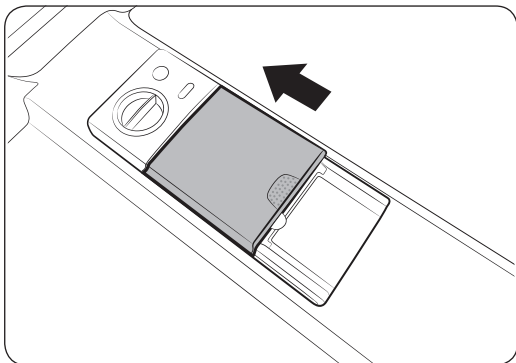
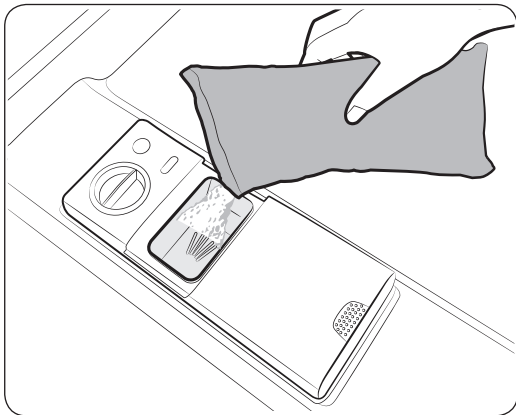
Utilisez uniquement du produit de lavage pour lave-vaisselle. Les autres types de produit de lavage produisent trop de mousse, ce qui peut diminuer les performances du lave-vaisselle ou provoquer son dysfonctionnement.



1. Appuyez délicatement sur le couvercle du réservoir pour le déverrouiller, puis faites le glisser pour l'ouvrir. Notez que le couvercle du réservoir s'ouvre à la fin de chaque programme.

Avant de commencer

Avant de commencer



2. Ajoutez la quantité recommandée de produit de lavage dans le compartiment principal.
3. Fermez le couvercle, puis appuyez dessus pour le verrouiller.

REMARQUE

Ce lave-vaisselle ne dispose pas de compartiment séparé pour les produits de lavage sous forme de tablettes.

4. Pour obtenir de meilleurs résultats, appliquez une petite quantité (0,5 oz/15 g environ) de produit de lavage sur la porte. Le produit de lavage supplémentaire s'activera pendant la phase de pré-lavage.

Quantités recommandées

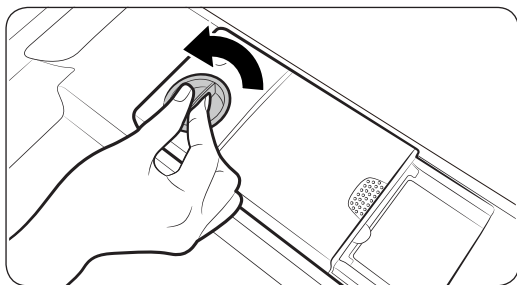
Programme	Quantité de produit de lavage	
	Réservoir de lavage principal	Sur la porte pour le prélavage
Auto (Automatique), Normal	$\frac{3}{4}$ oz (20 g)	$\frac{1}{3}$ oz (10 g)
Heavy (Intense), Express 60	1 oz (30 g)	$\frac{1}{2}$ oz (15 g)
Delicate (Délicat)	$\frac{3}{4}$ oz (20 g)	$\frac{1}{5}$ oz (5 g)

Produit de rinçage

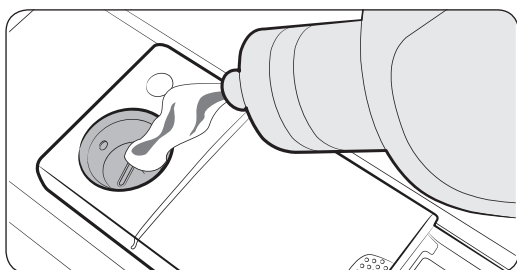
Le produit de rinçage améliore la performance de séchage du lave-vaisselle. Lorsque le voyant de remplissage de produit de rinçage s'allume sur le tableau de commande, remplissez le réservoir de produit de rinçage. Utilisez uniquement du produit de rinçage liquide. L'utilisation d'un produit de rinçage en poudre entraînera le colmatage de l'ouverture du compartiment et provoquera le dysfonctionnement du lave-vaisselle.

⚠ ATTENTION

- Ne remplissez pas le compartiment du produit de rinçage avec du produit de lavage.
- Ne remplissez pas trop le compartiment. Un excès de produit de rinçage peut déborder au cours d'un programme.

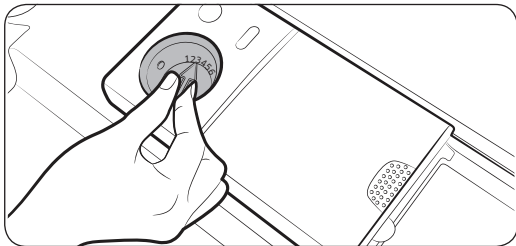


1. Tournez le bouchon dans le sens antihoraire pour le retirer.



2. Remplissez le compartiment avec du produit de rinçage comme indiqué par le fabricant du produit de rinçage.

Avant de commencer



3. Tournez le cadran du produit de rinçage pour sélectionner un niveau de produit de rinçage entre 1 et 6.
 - Plus le chiffre est élevé, plus la quantité de produit de rinçage utilisée par le lave-vaisselle sera importante.
 - Pour améliorer les performances de séchage, sélectionnez un niveau plus élevé.
 - En cas de décolorations sur les plats, utilisez un niveau moins élevé.
4. Tournez le bouchon dans le sens horaire pour le fermer.

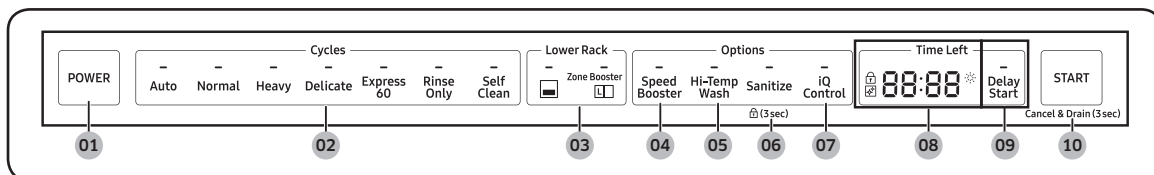
Réflecteur d'eau

Le réflecteur d'eau détecte automatiquement les obstacles présents à l'intérieur du lave-vaisselle pouvant interférer avec le signal du réflecteur. Si un obstacle est détecté à la fin d'un programme, « 0 » clignote pendant plusieurs minutes. Le lave-vaisselle émet un signal sonore pendant plusieurs minutes. Si tel est le cas, retirez l'obstacle.

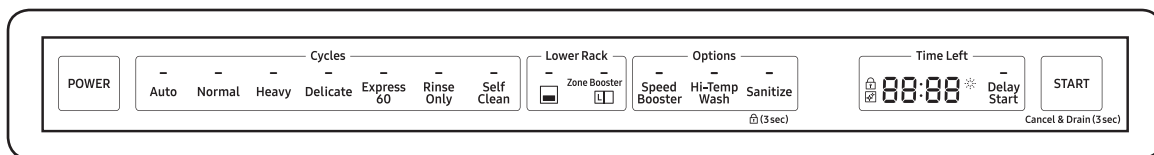
Opérations

Tableau de commande

Série DDW24M99**



Série DDW24T99*

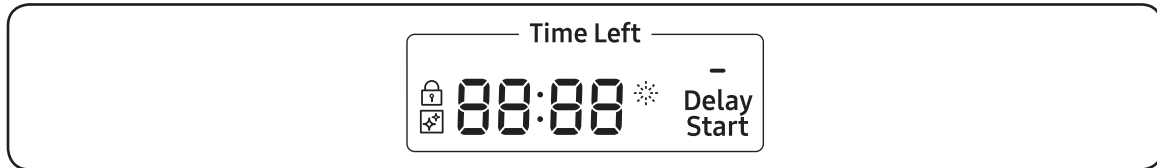





01 POWER (MARCHE/ ARRÊT)	<p>Appuyez sur ce bouton pour allumer ou éteindre le lave-vaisselle. Lorsqu'un programme est terminé, tous les autres voyants s'éteignent et « 0 » apparaît sur l'écran. Le lave-linge s'éteint ensuite automatiquement.</p>
02 Sélecteur de programme	<p>Appuyez sur ce bouton pour sélectionner un programme selon le niveau de salissure de la vaisselle. Le voyant du programme correspondant s'allume. Le programme par défaut est Normal.</p>
03 Lower Rack (Panier inférieur)	<p>Lower Rack (Panier inférieur) uniquement : si cette option est sélectionnée, seul le gicleur du panier inférieur est activé pour réduire à la fois la durée et la consommation d'énergie. Utilisez ce programme pour nettoyer une petite quantité de vaisselle ou des verres dans le panier inférieur. Pour laver de la vaisselle très sale, ajoutez l'option Zone Booster.</p> <p>Zone Booster : sélectionnez cette option pour améliorer les performances de lavage. Un jet puissant est activé et orienté sur la vaisselle du côté gauche du panier inférieur. Cette option peut légèrement augmenter la consommation d'énergie.</p> <p>REMARQUE</p> <p>Si vous utilisez uniquement le panier inférieur, le gicleur supérieur est désactivé. Ne chargez pas de vaisselle dans le panier supérieur dans ce cas. Toutefois, l'option Zone Booster est disponible quelle que soit la disponibilité du gicleur supérieur.</p>

Opérations

04 Speed Booster (Accélérateur de vitesse)	Sélectionnez cette option pour réduire la durée du programme. Elle n'est disponible qu'avec les programmes Auto (Automatique), Normal, Heavy (Intense) et Delicate (Délicat).
05 Hi-Temp Wash (Lavage à haute température)	Sélectionnez cette option pour augmenter la température de lavage principale pour améliorer les performances de lavage pour les traces de cuisson et les résidus incrustés. Cette option n'est disponible que pour les programmes Auto (Automatique), Normal, Heavy (Intensif) et Express 60.
06 Sanitize (Control Lock) (Assainissement (Verrouillage du tableau de commande))	<p>Si cette option est sélectionnée, la température de l'eau passe à 163 °F (73 °C) pendant le rinçage final pour un assainissement à haute température. Pour en savoir, reportez-vous à la section Options à la page 30.</p> <p>Verrouillage du tableau de commande : cette fonction pour permet de verrouiller les boutons du tableau de commande, sauf le bouton POWER (MARCHE/ARRÊT). Pour en savoir, reportez-vous à la section Verrouillage du tableau de commande à la page 34.</p>
07 iQ Control	Vous pouvez suivre et contrôler le lave-vaisselle à distance via une connexion Wi-Fi. Pour connecter le lave-vaisselle à votre smartphone pour la première fois, maintenez enfoncé le bouton iQ Control. Pour en savoir, reportez-vous à la section Dacor iQ Kitchen à la page 33.
08 Écran	Affiche les informations relatives au programme en cours, y compris le nom et la durée du programme, le temps restant ainsi que les réglages et un code d'information, le cas échéant.
09 Delay Start (Départ différé)	Le départ du programme peut être différé. Pour en savoir, reportez-vous à la section Delay Start (Départ différé) à la page 34.
10 START (Cancel & Drain) (DÉPART Annuler et vidanger)	<p>Appuyez sur le bouton START (DÉPART) pour démarrer le fonctionnement. Assurez-vous que la porte est fermée.</p> <p>*Cancel & Drain (Annuler et vidanger) : Pour annuler un programme en cours et vidanger le lave-vaisselle, maintenez le bouton START (DÉPART) enfoncé pendant trois 3 secondes.</p>

Voyants



Voyant Verrouillage du tableau de commande		S'allume si la fonction Verrouillage du tableau de commande est activée, et clignote pendant plusieurs secondes si un bouton autre que POWER (MARCHE/ARRÊT) est actionné.
Voyant Auto-nettoyage		S'allume si Auto-nettoyage est activé, et clignote pendant 5 secondes tous les 20 à 22 programmes. Le compteur de programmes disparaît lorsque le programme Auto-nettoyage est terminé, ou lorsque le lave-vaisselle atteint le 23 ^e programme.
Voyant de remplissage de produit de rinçage		S'allume si le lave-vaisselle est en marche sans produit de rinçage.

REMARQUE

Tous les voyants s'allument lorsque le lave-vaisselle entre en mode veille ou s'arrête. Toutefois, ils s'éteignent tous lorsque le lave-vaisselle est en marche.



Opérations

Étapes simples pour commencer

1. Ouvrez la porte et chargez le lave-vaisselle. Assurez-vous que les plats sont vides.
2. Placez les plats dans le panier inférieur, le cas échéant. Si vous ajoutez l'option Zone Booster, placez les plats du côté gauche du panier inférieur.
3. Ajoutez du produit de lavage dans le réservoir correspondant. Pour de meilleurs résultats, ajoutez du produit de rinçage.
4. Appuyez sur **POWER (MARCHE/ARRÊT)** puis sélectionnez un programme avec les options nécessaires (Speed Booster (Accélérateur de vitesse), Sanitize (Assainissement), etc.). La disponibilité des programmes dépend du modèle.
5. Appuyez sur **START (DÉPART)** puis fermez la porte. Le lave-vaisselle démarre le programme après une vidange de quelques secondes.

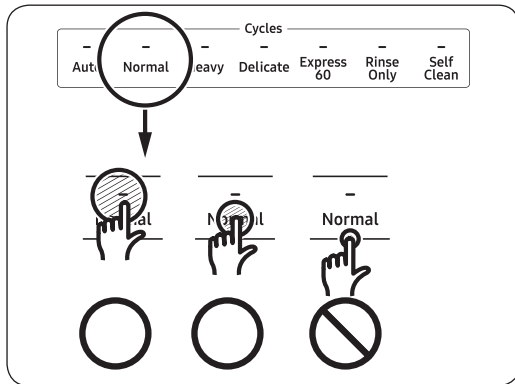
REMARQUE

- Pour changer un programme après son lancement, maintenez le bouton **START (DÉPART)** enfoncé pendant 3 secondes pour annuler le programme. Sélectionnez ensuite un nouveau programme.
- Le programme par défaut est Normal.
- Pour reprendre après avoir ouvert la porte pour arrêter le lave-vaisselle, fermez simplement la porte.



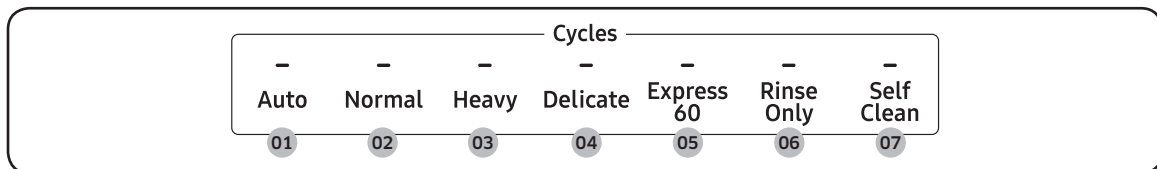
Sensibilité du pavé tactile

Afin de ne pas réduire la sensibilité des touches permettant de commander les fonctions, suivez ces instructions.



- Appuyez bien au centre de chaque bouton avec un doigt.
- Veillez à ne pas appuyer sur plus d'un bouton à la fois, sauf en cas de directive contraire.
- Nettoyez régulièrement la surface du tableau de commande avec un chiffon doux et humide.

Présentation des programmes



01 Auto (Automatique)	Ce programme détecte le degré de salissure de la vaisselle et lance automatiquement le programme le mieux adapté.
02 Normal	Ce programme réduit la consommation d'eau et d'énergie pour la vaisselle normalement sale. Pour réduire la durée du programme, sélectionnez l'option Speed Booster (Accélérateur de vitesse).
03 Heavy (Intensif)	Sélectionnez ce programme pour la vaisselle très sale.
04 Delicate (Délicat)	Sélectionnez ce programme pour la vaisselle sale et fragile, comme les verres fins, en cristal et à vin. Ce programme désactive les options Zone Booster et Sanitize (Assainissement). ⚠ ATTENTION N'utilisez pas ce programme pour d'autres verres. Ils pourraient devenir troubles ou gravés.
05 Express 60	Sélectionnez ce programme pour laver de la vaisselle légèrement sale pendant environ 1 heure. Ce programme désactive les options Speed Booster (Accélérateur de vitesse) et Zone Booster.

Opérations

06 Rinse Only (Rinçage uniquement)	Sélectionnez ce programme pour rincer uniquement de la vaisselle qui n'a pas besoin d'être lavée. Ce programme n'utilise pas de produit de lavage.
07 Self Clean (Auto-nettoyage)	Utilisez ce programme pour laver la cuve du lave-vaisselle. Assurez-vous que le lave-vaisselle est vide. Si le lave-vaisselle nécessite un auto-nettoyage, le voyant Auto-nettoyage clignote pendant 5 secondes après la mise sous tension du lave-vaisselle. Si vous démarrez le lave-vaisselle alors que le voyant clignote, le voyant s'éteindra automatiquement. ⚠ ATTENTION N'utilisez pas ce programme pour laver des plats.

Options

Speed Booster (Accélérateur de vitesse)	Sélectionnez cette option pour réduire la durée du programme.
Hi-Temp Wash (Lavage à haute température)	Sélectionnez cette option pour augmenter la température de lavage principale pour améliorer les performances de lavage pour les traces de cuisson et les résidus incrustés.
Sanitize (Assainissement)	<p>Si cette option est sélectionnée, la température de l'eau passe à 163 °F (73 °C) pendant le rinçage final pour un assainissement à haute température. Le voyant correspondant clignote lorsque la température de l'eau atteint la température d'assainissement (plus de 155 °F / 68 °C), puis reste fixe jusqu'à la fin du programme d'assainissement.</p> <ul style="list-style-type: none">• La fonction Sanitize (Assainissement) est conforme à la norme 184 NSF/ANSI relative aux lave-vaisselle domestiques. Les lave-vaisselle domestiques certifiés ne sont pas conçus pour une utilisation dans des établissements de restauration sous licence. Votre lave-vaisselle est certifié NSF.• Seul le programme Heavy (Intense) avec l'option Sanitize (Assainissement) a été conçu pour répondre aux exigences de la norme NSF 184 concernant l'élimination des saletés et l'efficacité d'assainissement.• Indisponible avec les programmes Delicate (Délicat) et Rinse Only (Rinçage uniquement).

Réglages

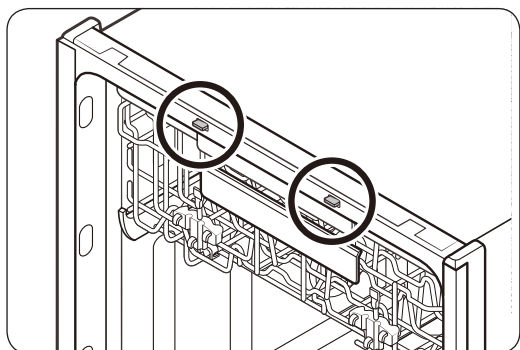
Vous pouvez modifier les réglages sonores ou de luminosité de l'écran. Pour modifier les réglages, appuyez simultanément sur **Delay Start (Départ différé)** et **Sanitize (Assainissement)** pendant 3 secondes. Appuyez sur **Sanitize (Assainissement)** pour naviguer dans les sous-menus, et appuyez sur **Delay Start (Départ différé)** pour valider vos modifications.

Son > Séchage Auto Release™
U1/U0 A1/A0

Son

Appuyez sur **Sanitize (Assainissement)** jusqu'à ce que « U1 » ou « U0 » s'affiche. Pour désactiver le son du lave-vaisselle, sélectionnez « U0 », puis appuyez sur **Delay Start (Départ différé)**. Pour activer le son du lave-vaisselle, sélectionnez « U1 », puis appuyez sur **Delay Start (Départ différé)**.

Séchage Auto Release™



La fonction Séchage Auto Release™ est conçue pour améliorer les performances de séchage. Elle ouvre automatiquement la porte du lave-vaisselle 5 à 15 minutes avant la fin du programme. Vous pouvez activer ou désactiver cette fonction de deux façons.



Opérations

En mode Réglage

1. Maintenez simultanément **Delay Start (Départ différé)** et **Sanitize (Assainissement)** enfoncés pendant 3 secondes pour entrer en mode Setting (Réglage).
2. Laissez **Sanitize (Assainissement)** enfoncé jusqu'à ce que « **A1** » ou « **A0** » s'affiche. Sélectionnez « **A1** » (activée) ou « **A0** » (désactivée). Pour de meilleurs résultats, sélectionnez « **A1** » (par défaut).
3. Appuyez sur **Delay Start (Départ différé)** pour valider vos modifications.

Sur le tableau de commande

- Pour activer la fonction Séchage Auto Release™, maintenez simultanément **Lower Rack (Panier inférieur)** et **Hi-Temp Wash (Lavage à haute température)** enfoncés pendant 3 secondes. « **A1** » s'affiche.
- Pour le désactiver, maintenez de nouveau ces boutons enfoncés pendant 3 secondes. « **A0** » s'affiche.

REMARQUE

- Une fois que la porte s'ouvre pour évacuer la vapeur, elle ne peut pas être fermée manuellement pendant les 2 minutes qui suivent. Ce phénomène est normal et ne constitue pas un dysfonctionnement de l'appareil.
- Cette fonction n'est pas disponible avec le programme Rinse Only (Rinçage uniquement).



Fonctions spéciales

Dacor iQ Kitchen (modèles applicables uniquement)

Ce produit est un lave-vaisselle intelligent prenant en charge Dacor iQ Kitchen.

Le temps nécessaire à l'application pour se connecter et enregistrer le lave-vaisselle dépend de l'état de votre réseau.

Installation

Visitez Google Play Store, Galaxy Apps ou Apple App Store et cherchez « Dacor iQ Kitchen ». Téléchargez et installez l'application Dacor iQ Kitchen fournie pour votre appareil intelligent.

REMARQUE

- L'application Dacor iQ Kitchen est conçue pour Android 4.0 (ICS) ou version supérieure, ou iOS 8.0 ou version supérieure.
- Pour des performances optimales, l'application Dacor iQ Kitchen peut être modifiée sans préavis.

Enregistrer un compte Samsung

Pour utiliser l'application Dacor iQ Kitchen, vous devez vous connecter à votre compte Samsung. Si vous n'avez pas de compte Samsung, sélectionnez **Register (S'enregistrer)** dans l'application, puis suivez les instructions pour créer un compte.

Opérations

Mise en route

En utilisant l'application Dacor iQ Kitchen, vous pouvez commander votre lave-vaisselle à distance grâce à votre appareil intelligent. Pour des performances optimales, le contenu et la conception de l'application peuvent changer sans préavis.

1. Lancez l'application Dacor iQ Kitchen sur votre smartphone.
2. Si « Dish Washer » (Lave-vaisselle) ne figure pas dans la liste, appuyez sur **Add Device (Ajouter un appareil) > Select other device (Sélectionner un autre appareil) > Dish Washer (Lave-vaisselle)** sur l'écran de l'application.
3. Maintenez enfoncé le bouton **Smart Control (Commande intelligente)** sur le tableau de commande du lave-vaisselle pendant plus de 5 secondes jusqu'à ce que le message « AP » s'affiche sur l'écran.
4. Lorsque l'enregistrement de l'appareil est terminé, activez la fonction Smart Control (Commande intelligente) sur votre lave-vaisselle et commandez à distance votre lave-vaisselle.

Départ différé

Vous pouvez différer le départ du programme jusqu'à 24 heures par paliers d'une heure. Pour augmenter l'heure du départ différé, appuyez sur **Delay Start (Départ différé)** (⌚). L'heure affichée indique l'heure à laquelle le programme démarrera.

1. Ouvrez la porte et chargez le lave-vaisselle.
2. Appuyez sur **Delay Start (Départ différé)** (⌚), puis maintenez enfoncé **Delay Start (Départ différé)** (⌚) pour changer l'heure par paliers d'une heure.
3. Fermez la porte et appuyez sur le bouton **START (DÉPART)**.

REMARQUE

Pour changer l'heure du départ différé une fois que le lave-vaisselle est en marche, appuyez sur **POWER (MARCHE/ARRÊT)** et redémarrez le lave-vaisselle.

Verrouillage du tableau de commande

Pour éviter que des enfants ne jouent avec le lave-vaisselle, la fonction Verrouillage du tableau de commande verrouille tous les boutons, sauf **POWER (MARCHE/ARRÊT)**.

- Pour activer la fonction Verrouillage du tableau de commande, maintenez le bouton **Sanitize (Assainissement)** enfoncé pendant 3 secondes. Si la fonction Verrouillage du tableau de commande est activée, vous ne pouvez pas sélectionner de programme ni d'option, ni démarrer d'opération.
- Pour désactiver la fonction Verrouillage du tableau de commande, maintenez le bouton **Sanitize (Assainissement)** enfoncé de nouveau pendant 3 secondes.
- La fonction Verrouillage du tableau de commande reste active après le redémarrage du lave-vaisselle. Pour annuler la fonction Verrouillage du tableau de commande, vous devez d'abord la désactiver.
- Pour ajouter du produit de lavage ou d'autres éléments lorsque la fonction Verrouillage du tableau de commande est active, vous devez d'abord la désactiver.

Précautions d'entretien

Nettoyage

Garder votre lave-vaisselle propre permet d'améliorer ses performances, de limiter les réparations et d'allonger sa durée de vie.

Partie externe

Nettoyez les éclaboussures sur la surface du lave-vaisselle dès que nécessaire. Pour retirer délicatement les taches et la poussière du tableau de commande, utilisez un chiffon doux légèrement humide.

⚠ ATTENTION

- N'utilisez jamais de benzène, de cire, de diluant, d'agent de blanchiment chloré, d'alcool ou d'autres produits chimiques. Ces substances risquent de décolorer la surface du lave-vaisselle et de former des taches permanentes.
- La partie interne du lave-vaisselle est dotée de composants électriques. N'aspergez pas d'eau directement sur le lave-vaisselle. Protégez les composants électriques afin qu'ils n'entrent pas en contact avec de l'eau.
- Pour le tableau de la porte en acier inoxydable, utilisez nettoyeur adapté pour appareils ménagers et un chiffon doux et propre.

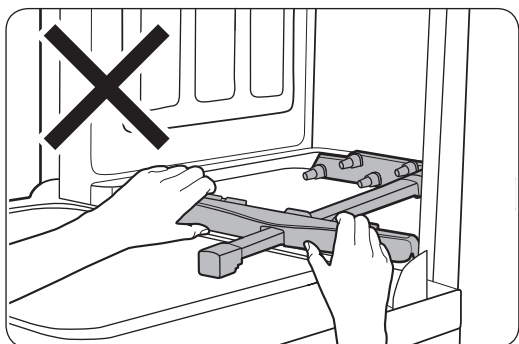
Partie interne

Nettoyez régulièrement la partie interne du lave-vaisselle afin d'en retirer les saletés et les résidus alimentaires. Essuyez la partie interne du lave-vaisselle et de la porte à l'aide d'un chiffon humide. Nous vous recommandons de remplir le réservoir de produit de lavage avec du produit spécial vaisselle puis de faire fonctionner le lave-vaisselle à vide avec le programme Auto-nettoyage.

Pour que la grille à couverts reste propre, retournez-la après utilisation. Pour éliminer les taches ou les odeurs de la grille à couverts, démarrez le programme Auto-nettoyage avec le lave-vaisselle vide et sans produit de lavage jusqu'à ce que la grille à couverts soit propre. Puis, arrêtez le programme et placez une tasse contenant 8 onces de vinaigre blanc dans le panier inférieur. Fermez la porte et redémarrez le programme.

⚠ ATTENTION

Ne retirez pas la garniture d'étanchéité (long joint en caoutchouc entourant l'ouverture du lave-vaisselle). Elle assure l'étanchéité de la partie interne du lave-vaisselle.



Utilisez un chiffon mouillé pour éliminer les dépôts de graisse ou de calcaire à l'intérieur du lave-vaisselle. Sinon, ajoutez du produit de lavage et démarrez un programme à vide en utilisant la température de rinçage la plus élevée.

⚠ ATTENTION

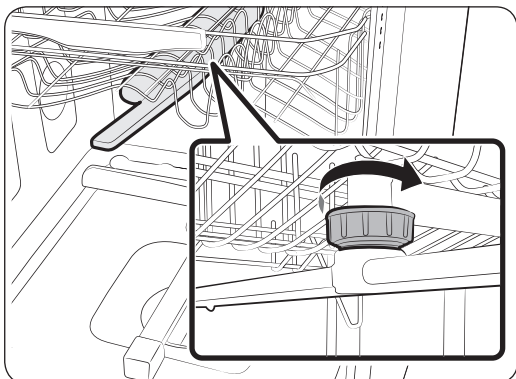
Pour éviter d'endommager le moteur, soyez délicat lorsque vous déplacez manuellement le réflecteur d'eau.

Précautions d'entretien

Gicleurs

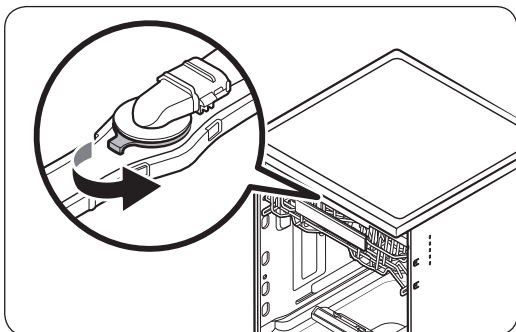
Pour éviter que les gicleurs ne se bouchent ou si ces derniers sont bouchés, retirez et nettoyez les gicleurs. Retirez-les délicatement pour ne pas les casser.

Gicleur intégré au panier supérieur



1. Ouvrez la porte et retirez le panier supérieur pour accéder au gicleur supérieur.
2. Desserrez et retirez l'écrou, puis enlevez le gicleur.
3. Débouchez et nettoyez le gicleur.
4. Réinsérez le gicleur puis serrez l'écrou à la main.
5. Tournez le gicleur à la main pour vérifier qu'il s'engage correctement.

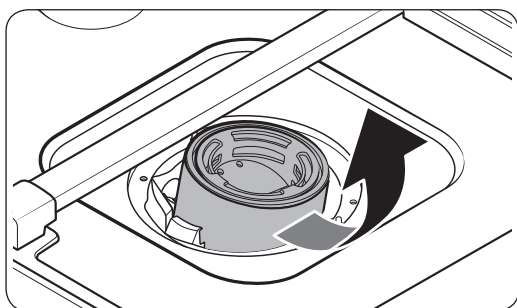
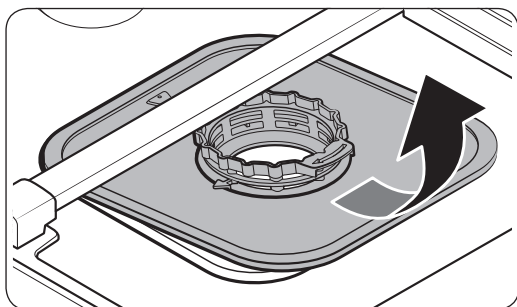
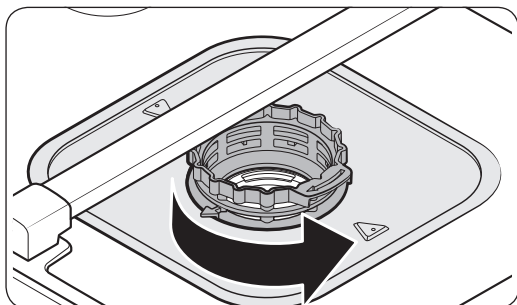
Gicleur supérieur



1. Ouvrez la porte et retirez le gicleur supérieur. Le gicleur supérieur est visible en haut.
2. Tournez le bouchon du gicleur dans le sens antihoraire pour le retirer puis enlevez le gicleur.
3. Débouchez et nettoyez le gicleur.
4. Réinsérez le gicleur puis serrez le bouchon dans le sens horaire.
5. Tournez le gicleur à la main pour vérifier qu'il s'engage correctement.

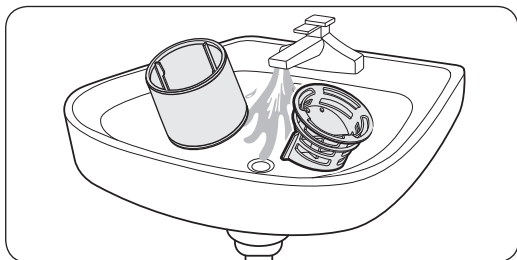
Filtre

Nous vous recommandons de nettoyer le filtre tous les mois.

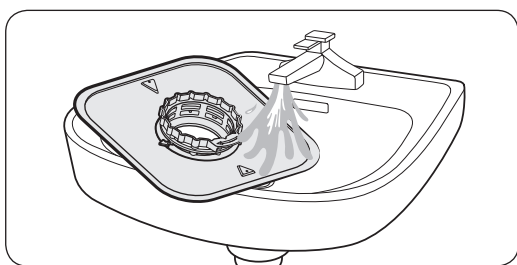


1. Ouvrez la porte et retirez d'abord le panier inférieur.
2. Tournez la poignée du filtre dans le sens antihoraire pour déverrouiller le cache du filtre.
3. Retirez le cache du filtre, puis le microfiltre cylindrique en-dessous.

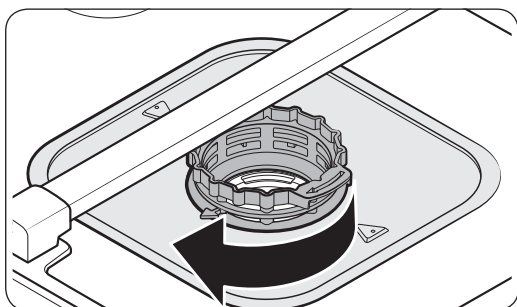
Précautions d'entretien



4. Retirez toute la saleté et les impuretés du microfiltre et du cache du filtre.
5. Rincez-les à l'eau claire puis essuyez-les.



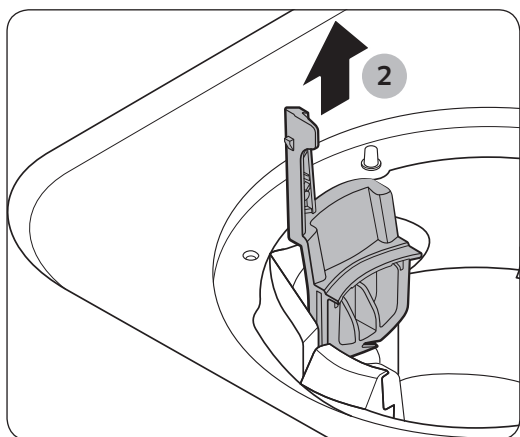
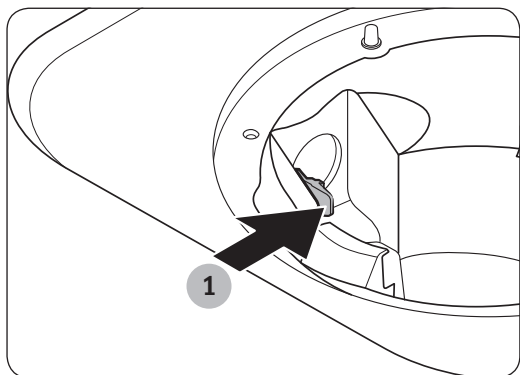
6. Réinsérez le filtre et son cache.
7. Tournez la poignée du filtre dans le sens horaire pour la verrouiller.



ATTENTION

Assurez-vous que le cache du filtre est correctement fermé. Un cache mal serré peut réduire les performances de filtration.

Pompe de vidange



Si le lave-vaisselle n'arrive pas à se vidanger car la pompe de vidange est bouchée avec un corps étranger, ou si un bruit anormal se fait entendre au niveau de cette pompe, vous devez déboucher et nettoyer la pompe de vidange en suivant les instructions ci-dessous.

1. Retirez le panier inférieur.
2. Reportez-vous à la section **Filtre** pour retirer le microfiltre cylindrique. Essuyez ensuite le filtre à l'aide d'une éponge pour retirer toute humidité.
3. Retirez le couvercle de la pompe de vidange en poussant la poignée dans la direction de la flèche (1), vers le haut (2).
4. Vérifiez que la turbine est en bon état. Retirez ensuite toutes les impuretés de la pompe.
5. Remettez le couvercle de la pompe de vidange, puis appuyez dessus jusqu'à ce que vous entendiez un clic.

Entretien sur le long terme

Si vous n'allez pas utiliser le lave-vaisselle pendant une période prolongée, vidangez d'abord l'appareil puis débranchez le tuyau d'eau. Coupez le robinet d'arrivée d'eau et le disjoncteur. L'eau restante contenue dans les tuyaux ou dans les composants internes peut endommager le lave-vaisselle.

Dépannage

Points de contrôle

Si vous rencontrez un problème avec votre lave-vaisselle, consultez d'abord le tableau ci-dessous et essayez les solutions proposées.

Symptôme	Cause possible	Action
Le lave-vaisselle ne se met pas en marche.	La porte n'est pas correctement fermée.	<ul style="list-style-type: none">Assurez-vous que le loquet de la porte est bien enclenché et que la porte est correctement fermée.Assurez-vous que le panier supérieur est correctement relié à la buse.Assurez-vous que le panier supérieur est correctement assemblé.
	Le bouton START (DÉPART) (Réinitialiser) n'est pas sélectionné.	<ul style="list-style-type: none">Assurez-vous que le loquet de la porte est bien enclenché et que la porte est correctement fermée. Appuyez ensuite sur START (DÉPART).
	Aucun programme n'est sélectionné.	<ul style="list-style-type: none">Sélectionnez un programme.
	Le cordon d'alimentation n'est pas branché.	<ul style="list-style-type: none"> Branchez le cordon d'alimentation.
	L'eau ne s'écoule pas.	<ul style="list-style-type: none">Vérifiez que le robinet d'arrivée d'eau est ouvert.
	Le tableau de commande est verrouillé.	<ul style="list-style-type: none">Déverrouillez la fonction Verrouillage du tableau de commande.
Le lave-vaisselle met du temps à se mettre en marche.	Le lave-vaisselle est raccordé à une alimentation en eau froide.	<ul style="list-style-type: none">Pour fonctionner correctement, le lave-vaisselle doit être raccordé à une alimentation en eau chaude. S'il est relié à une alimentation en eau froide, un certain temps est nécessaire pour chauffer l'eau.

Symptôme	Cause possible	Action
Le lave-vaisselle dégage de mauvaises odeurs.	De l'eau est encore présente à cause du programme précédent.	<ul style="list-style-type: none"> Avec le lave-vaisselle vide, ajoutez du produit de lavage puis lancez le programme Normal pour nettoyer le lave-vaisselle.
	Le tuyau de vidange est bouché.	<ul style="list-style-type: none"> Contactez un technicien de maintenance qualifié pour déboucher le tuyau de vidange.
	Le lave-vaisselle n'est pas utilisé quotidiennement ou de la vaisselle sale a été laissée trop longtemps dans l'appareil.	<ul style="list-style-type: none"> Placez un verre contenant 8 onces de vinaigre blanc dans le panier inférieur, puis lancez un programme Normal à vide et sans produit de lavage.
Toute l'eau n'a pas été évacuée après la fin du dernier programme.	Le tuyau de vidange est plié ou bouché.	<ul style="list-style-type: none"> Dépliez et débouchez le tuyau.

Dépannage

Symptôme	Cause possible	Action
Il reste des résidus alimentaires sur la vaisselle.	Le programme qui a été sélectionné n'était pas correct.	<ul style="list-style-type: none">• Sélectionnez un programme en fonction du degré de salissure de la vaisselle, comme indiqué dans ce manuel.
	Les filtres et les gicleurs sont bouchés ou ne sont pas assez serrés.	<ul style="list-style-type: none">• Nettoyez les filtres ou les gicleurs. Vérifiez que les filtres sont assez serrés. Reportez-vous à la section Nettoyage à la page 35.
	Vous n'avez pas (assez) utilisé de produit de lavage.	<ul style="list-style-type: none">• Utilisez la bonne quantité de produit de lavage pour chaque lavage. Nous recommandons l'utilisation d'un produit de lavage en poudre ou en gel.
	La pression de l'eau est trop faible.	<ul style="list-style-type: none">• La pression de l'eau doit être comprise entre 20 et 120 psi (140 à 830 kPa).
	La température de l'eau est trop basse.	<ul style="list-style-type: none">• Raccordez le tuyau d'arrivée d'eau au réseau d'eau chaude. Pour un résultat optimal, la température de l'eau doit être de 120 °F (49 °C).
	La vaisselle n'a pas été correctement disposée ou le lave-vaisselle est surchargé.	<ul style="list-style-type: none">• Réorganisez la vaisselle de manière à ce qu'elle ne gêne pas la distribution du produit de lavage et les gicleurs. Reportez-vous à la section Charger la vaisselle à la page 17.
	L'eau est trop dure.	<ul style="list-style-type: none">• Utilisez un produit de lavage disponible dans le commerce.• Utilisez du produit de lavage de bonne qualité, récent, contenant un produit de rinçage.• Nettoyez le filtre au minimum une fois par mois.• Utilisez un additif adoucisseur d'eau spécial lave-vaisselle.

Symptôme	Cause possible	Action
La vaisselle est encore mouillée.	Aucun produit de rinçage dans le réservoir ou insuffisance de produit de rinçage utilisé.	<ul style="list-style-type: none"> Utilisez un produit de rinçage sous forme liquide. Vérifiez le réglage du produit de rinçage.
	La température de l'eau est basse lorsque le lave-vaisselle est en marche.	<ul style="list-style-type: none"> Raccordez le tuyau d'arrivée d'eau à une arrivée d'eau chaude. Utilisez du liquide de rinçage avec l'option Sanitize (Assainissement).
	L'appareil est surchargé.	<ul style="list-style-type: none"> Un chargement incorrect de la vaisselle peut influencer sur son séchage. Chargez la vaisselle conformément aux instructions. Reportez-vous à la section Charger la vaisselle à la page 17.
	L'eau de verres et de tasses s'est renversée sur d'autres éléments pendant le déchargement.	<ul style="list-style-type: none"> Videz d'abord le panier inférieur, puis le panier supérieur. Vous éviterez ainsi de faire couler l'eau résiduelle du panier supérieur dans le panier inférieur.
	La fonction Auto Release™ est désactivée.	<ul style="list-style-type: none"> Activez la fonction Auto Release™. Maintenez les boutons Lower Rack (Panier inférieur) et Hi-Temp Wash (Lavage à haute température) enfoncés pendant 3 secondes pour accéder au menu Auto Release™. Sélectionnez A1 pour activer la fonction Séchage Auto Release™.

Dépannage

Symptôme	Cause possible	Action
Le lave-vaisselle est trop bruyant.	Le lave-vaisselle fait du bruit lorsque le couvercle du réservoir est ouvert et lorsque la pompe de vidange se met en marche.	<ul style="list-style-type: none"> Ceci est tout à fait normal.
	Le lave-vaisselle n'est pas parfaitement stable.	<ul style="list-style-type: none"> Assurez-vous que le lave-vaisselle a été installé de niveau.
	Un corps étranger (vis, pièce en plastique, etc.) se trouve dans la cavité de la pompe.	<ul style="list-style-type: none"> Contactez un technicien de maintenance qualifié pour extraire le corps étranger de la cavité de la pompe.
	La vaisselle cogne contre un gicleur.	<ul style="list-style-type: none"> Réorganisez la vaisselle.
Les verres sont recouverts d'une mince pellicule.	<ul style="list-style-type: none"> L'eau utilisée est douce et la quantité de produit de lavage trop importante. De la vaisselle en aluminium a été placée dans le lave-vaisselle. 	<ul style="list-style-type: none"> Ne chargez pas trop le lave-vaisselle et utilisez un produit de rinçage pour réduire la quantité de produit de lavage. Retirez les taches à l'aide d'un nettoyant doux.
La vaisselle est recouverte d'un film jaunâtre ou marron.	Ces traces sont des taches de café ou de thé.	<ul style="list-style-type: none"> Retirez-les à l'aide d'un détachant classique.
Le gicleur ne tourne pas correctement.	Des résidus alimentaires bouchent le gicleur.	<ul style="list-style-type: none"> Nettoyez le gicleur. Reportez-vous à la section Nettoyage à la page 35.
	Un plat ou un chaudron empêche le gicleur de tourner.	<ul style="list-style-type: none"> Une fois la vaisselle en place dans les paniers, faites tourner le gicleur manuellement pour vérifier qu'aucun obstacle ne se trouve dans son champ de rotation.
L'eau ne s'évacue pas du lave-vaisselle.	Le système de vidange est bouché.	<ul style="list-style-type: none"> Nettoyez la pompe de vidange en retirant le couvercle de la pompe de vidange. Reportez-vous à la section Pompe de vidange à la page 39.
Le panier supérieur est plié après le chargement de la vaisselle.	La vaisselle n'est pas correctement répartie.	<ul style="list-style-type: none"> Organisez la vaisselle conformément aux instructions. Reportez-vous à la section Charger la vaisselle à la page 17.

Codes d'information

Si le lave-vaisselle ne se met pas en marche, un code d'information peut apparaître sur l'écran. Consultez le tableau ci-dessous et essayez les solutions proposées.

Code	Action
LC	Contrôle des fuites <ul style="list-style-type: none">Coupez le robinet d'arrivée d'eau. Accédez à votre disjoncteur et désactivez l'interrupteur correspondant à votre lave-vaisselle. Contactez ensuite l'installateur pour effectuer les réparations nécessaires. Si le problème persiste, contactez le service client Dacor le plus proche.
4C	Contrôle de l'alimentation en eau <ul style="list-style-type: none">Vérifiez si le robinet d'arrivée d'eau est fermé, si l'arrivée d'eau est bloquée ou si le robinet ou le tuyau d'eau est gelé(e) ou bouché(e) par des corps étrangers. Si le problème persiste, contactez le service client Dacor le plus proche.
5C	Contrôle de la vidange <ul style="list-style-type: none">Coupez le robinet d'arrivée d'eau. Vérifiez que le tuyau de vidange n'est ni bouché ni plié. Vérifiez que le tuyau de vidange à l'intérieur de la pompe n'est pas bouché. Si le problème persiste, contactez le service client Dacor le plus proche.
HC	Contrôle du chauffage à haute température <ul style="list-style-type: none">Contrôle fonctionnel. Avec le lave-vaisselle vide, ajoutez du produit de lavage puis lancez un programme. Si le problème persiste, accédez à votre disjoncteur et désactivez l'interrupteur correspondant à votre lave-vaisselle. Contactez ensuite le service client Dacor le plus proche.
3C	Contrôle du fonctionnement de la pompe <ul style="list-style-type: none">Contrôle fonctionnel. Éteignez le lave-vaisselle et rallumez-le. Si le problème persiste, contactez le service client Dacor le plus proche.
PC	Contrôle de la fonction de lavage par zone <ul style="list-style-type: none">Contrôle fonctionnel. Éteignez le lave-vaisselle et essayez de le redémarrer. Si le problème persiste, contactez le service client Dacor le plus proche.
AP	Connectez-vous avec votre smartphone. <ul style="list-style-type: none">Lorsque le tableau de commande affiche « AP », maintenez enfoncé le bouton iQ Control du tableau de commande pour connecter le lave-vaisselle à votre smartphone.

Si un code d'information apparaît toujours sur l'écran, contactez le service client Dacor.

Téléphone : (800) 793-0093 (États-Unis et Canada)

Horaires : du lundi au vendredi, de 06 h 00 à 17 h 00 (heure du Pacifique)

Tableau des programmes

Programme	Prélavage 1	Prélavage 2	Prélavage 3	Lavage principal	Rinçage 1	Rinçage 2	Rinçage 3
Auto (Automatique)	●	●	●	● 122 à 140 °F (50 à 60 °C)	●	○	
Normal	●	○	○	● 113 à 143 °F (45 à 62 °C)	●	○	
Heavy (Intensif)	●	●	●	● 149 °F (65 °C)	●	●	●
Delicate (Délicat)	●			● 122 °F (50 °C)	●	●	
Express 60				● 122 °F (50 °C)	●		
Rinse Only (Rinçage uniquement)					● 104 °F (40 °C)		

Programme	Dernier rinçage (Assainissement)	Séchage	Eau [gal(L)]
Auto (Automatique)	● 136 à 154 °F (58 à 68 °C) 163 °F (73 °C)	●	4,8 à 6,0 (18,0 à 22,8 L)
Normal	● 131 à 149 °F (55 à 65 °C) 163 °F (73 °C)	●	2,5 à 5,8 (9,5 à 22,1 L)
Heavy (Intensif)	● 154 °F (68 °C) 163 °F (73 °C)	●	7,5 (28,3 L)
Delicate (Délicat)	● 149 °F (65 °C)	●	4,5 (17,0 L)
Express 60	● 140 °F (60 °C) 163 °F (73 °C)	●	2,9 (11,1 L)
Rinse Only (Rinçage uniquement)			1,1 (4,1 L)

- Les températures (°F et °C) dans la colonne Dernier rinçage correspondent à la température de l'eau lorsque l'option **Sanitize (Assainissement)** est sélectionnée.
- Lorsque vous sélectionnez le programme **Auto (Automatique)** ou **Normal**, vous pouvez éliminer les étapes optionnelles selon le degré de salissure de la vaisselle.
- La consommation d'eau et la durée du programme varient en fonction des étapes et options que vous ajoutez et de la pression et de la température de l'alimentation en eau.
- En l'absence de produit de rinçage, la durée du programme et la température du dernier rinçage peuvent légèrement augmenter.

Annexe

Protection de l'environnement

- Votre lave-vaisselle est fabriqué à partir de matériaux recyclables. Si vous décidez de vous en débarrasser, veuillez respecter la réglementation locale relative à l'élimination des déchets. Coupez le câble d'alimentation de manière à ce que l'appareil ne puisse plus être branché sur une source d'alimentation.
- Retirez la porte afin d'éviter que des enfants ou de petits animaux ne se fassent piéger à l'intérieur de la machine.
- Ne dépassez pas les quantités de produit de lavage recommandées par le fabricant du produit.

Caractéristiques techniques

MODÈLE	DDW24M999UM / DDW24M999US / DDW24T998US / DDW24T999BB (Lave-vaisselle encastrable)
Alimentation électrique	120 V / 60 Hz, CA uniquement, disjoncteur 15 A
Pression d'eau	20 à 120 psi (140 à 830 kPa)
Capacité de lavage	14 couverts
Puissance nominale	Moteur de lavage : 60 à 100 W Résistance chauffe-eau : 1100 W
Dimensions (largeur x profondeur x hauteur)	DDW24M999UM / DDW24M999US / DDW24T998US : 23½" X 22 ¹³ / ₁₆ " X 32¼" (598 X 580 X 820 mm) DDW24T999BB : 23½" X 21 ⁷ / ₈ " X 32¼" (598 X 555 X 820 mm)
Poids (sans l'emballage)	DDW24M999UM / DDW24M999US / DDW24T998US : 101 lb (46 kg) DDW24T999BB : 99 lb (45 kg)

Garantie et assistance

Obtenir de l'aide

Avant de contacter l'assistance :

1. Consultez la section **Dépannage** de ce manuel (pages 40-45).
2. Consultez les conseils utiles de la section **Dépannage**.
3. Prenez connaissance des conditions de garantie de votre produit.
4. Si aucun de ces conseils ou solutions ne résout votre problème, appelez notre service après-vente au numéro ci-dessous.

Le service client de Dacor est joignable de 06 h 00 à 17 h 00 (heure du Pacifique).

Pour des questions ou des réparations sous garantie auprès du DDS (service différencié Dacor) pour les États-Unis et le Canada

Téléphone : (800) 793-0093, numéro de poste 2822

Pour des questions ou des réparations hors garantie pour les États-Unis et le Canada

Téléphone : (800) 793-0093, numéro de poste 2813

Contactez-nous via notre site Web :

www.dacor.com/contact-us

Garantie

Éléments couverts par la garantie

CERTIFICAT DE GARANTIE : LAVE-VAISSELLE DACOR

DANS LES CINQUANTE ÉTATS DES ÉTATS-UNIS, LE DISTRICT DE COLUMBIA ET AU CANADA :

PLEINE GARANTIE D'UN AN

La garantie s'applique uniquement à l'appareil Dacor vendu à l'acheteur (premier utilisateur) à compter de la date d'achat initial ou de la date de clôture pour les nouvelles constructions, quelle que soit la période la plus longue. La garantie est valable sur les produits achetés neufs auprès d'un revendeur agréé Dacor ou d'un autre revendeur autorisé par Dacor.

Si votre produit Dacor dysfonctionne dans l'année qui suit la date d'achat initiale, en raison d'une malfaçon ou d'une défaillance matérielle, Dacor résoudra le problème sans frais.

Tous les dommages superficiels (rayures sur les surfaces en inox, défauts de peinture/porcelaine, etc.) visibles sur le produit ou sur les accessoires fournis doivent être signalés à Dacor dans les 60 jours suivant la date d'achat initiale pour être couverts par la garantie.

Les pièces consommables, telles que les filtres et les ampoules, ne sont pas couverts par la garantie et sont de la responsabilité de l'acheteur.

GARANTIE DE VINGT-CINQ ANS

Valable sur la rouille présente sur la porte et le réservoir en acier inoxydable.

LIMITATIONS DE LA GARANTIE

L'assistance sera fournie par la société de dépannage désignée par Dacor pendant les heures de travail normales. Veuillez noter que les prestataires de service sont des entités indépendantes et ne sont pas des agents de Dacor.

Les modèles d'exposition et de maison-témoin ayant une date de production antérieure de plus de 5 ans, les produits vendus sans garantie ainsi que les produits installés pour un usage non résidentiel, incluant, sans s'y limiter, les organisations religieuses, les casernes, les bed and breakfast et les spas, disposent d'une garantie de pièces d'un an uniquement. La livraison, l'installation, les coûts de main d'œuvre et autres frais de service sont de la responsabilité de l'acheteur.

La garantie sera nulle et non avenue sur les produits altérés ou déformés ou en cas d'étiquette ou de numéro de série manquant(e).

Le propriétaire doit fournir une preuve d'achat ou une déclaration de clôture pour les nouvelles constructions sur demande. Tous les produits Dacor doivent être accessibles à des fins de service. La garantie est nulle et non avenue si un produit non approuvé ETL, CUL ou CSA est importé des États-Unis.

HORS DES CINQUANTE ÉTATS DES ÉTATS-UNIS, DU DISTRICT DE COLUMBIA ET DU CANADA : GARANTIE LIMITÉE À LA PREMIÈRE ANNÉE

GARANTIE LIMITÉE À LA PREMIÈRE ANNÉE

Si votre produit Dacor dysfonctionne dans l'année qui suit la date d'achat initiale, en raison d'une malfaçon ou d'une défaillance matérielle, Dacor fournira une nouvelle pièce, franco à bord, pour remplacer la pièce défectueuse.

La livraison, l'installation, les coûts de main d'œuvre et autres frais de service sont de la responsabilité de l'acheteur.

Garantie et assistance

Éléments non couverts par la garantie

- De légères variations de couleurs peuvent être visibles sur les pièces peintes, l'éclairage de la cuisine, le placement de produit et d'autres facteurs : cette garantie ne s'applique pas aux variations de couleurs.
- Les appels concernant des informations sur la bonne utilisation ou le bon entretien du produit.
- Les frais d'assistance concernant des îles ou des zones isolés, incluant, sans s'y limiter, les traversées en ferry, les routes à péage et autres frais de voyage.
- Les dommages indirects ou accessoires, incluant, sans s'y limiter, la perte d'aliments ou de médicaments, le temps pris sur le travail ou les repas de restaurant.
- Dysfonctionnement du produit dans le cadre d'une utilisation commerciale, professionnelle, locative ou toute application autre qu'une utilisation résidentielle.
- Dysfonctionnement du produit découlant d'une mauvaise installation du produit.
- Remplacement des fusibles, coffrets à fusibles ou réinitialisation des disjoncteurs.
- Dommages sur le produit causés par un accident, un incendie, une inondation, une coupure de courant, des sautes de puissance ou une catastrophe naturelle.
- Responsabilités liées aux dommages sur les appareils à proximité incluant les meubles, les sols, les plafonds et autres structures ou objets proches du produit.
- Casse, décoloration ou dommage sur les surfaces en verre ou métalliques, les composants en plastique, les ornements, la peinture ou autre finition causés par une mauvaise utilisation, entretien, détournement ou négligence.

Hors garantie

Si vous rencontrez un problème au-delà de la période de garantie standard, veuillez nous contacter. Dacor examine chaque problème et question de ses clients pour leur fournir la meilleure solution selon les situations.

LES SOLUTIONS EXPOSÉES DANS LES GARANTIES EXPRESSES CI-DESSUS SONT LES SEULES SOLUTIONS VALABLES. AUCUNE AUTRE GARANTIE EXPRESSE N'EST FAITE, ET, HORS DES CINQUANTE ÉTATS DES ÉTATS-UNIS, DU DISTRICT DE COLUMBIA ET DU CANADA, TOUTES LES GARANTIES TACITES, INCLUANT, SANS S'Y LIMITER, TOUTE GARANTIE TACITE DE QUALITÉ MARCHANDE ET D'APTITUDE À UNE UTILISATION OU UNE FIN PARTICULIÈRE, SONT LIMITÉES À UNE DURÉE D'UN AN À COMPTER DE LA DATE D'ACHAT INITIALE. DACOR NE SAURAIT EN AUCUN CAS ÊTRE TENU POUR RESPONSABLE DE TOUT DOMMAGE ACCESSOIRE OU INDIRECT. DANS L'ÉVENTUALITÉ OÙ DACOR L'EMPORTERAIT DANS TOUTE POURSUITE JUDICIAIRE, DACOR SE VERRA REMBOURSER TOUS LES FRAIS ET DÉPENSES, Y COMPRIS LES FRAIS D'AVOCAT, PAR LE CLIENT DE DACOR. AUCUNE GARANTIE, EXPRESSE OU TACITE, N'EST FAITE À UN ACHETEUR QUANT À LA REVENTE.

Certains États et certaines juridictions n'autorisent pas de limitations quant à la durée des garanties tacites, ni l'exclusion ou la limitation de dommages accessoires ou indirects ; il se peut, par conséquent, que les limitations et exclusions énoncées ci-dessus ne s'appliquent pas à votre cas. Cette garantie vous confère des droits légaux spécifiques, vous pouvez également avoir d'autres droits qui varient d'un État à l'autre.

Notes



DD68-00196A-00

dacor[®]

Dacor • 14425 Clark Avenue, City of Industry, CA 91745 • Téléphone : (800) 793-0093 • Fax : (626) 403-3130 • www.dacor.com



dacor[®]

Manual del usuario

Lavavajillas integrable Modernist / Heritage

Serie DDW24M99*

Serie DDW24T99*

Contenido

Información sobre seguridad	5
Lo que necesita saber sobre las instrucciones de seguridad	5
Símbolos de seguridad importantes	5
Antes de usar la lavavajillas	8
Aviso normativo	8
Antes de comenzar	12
Descripción general de la lavavajillas	12
Uso básico de los estantes	14
Precauciones sobre la carga	16
Guías sobre detergentes	21
Operaciones	25
Panel de control	25
Pasos sencillos para comenzar	28
Respuesta del teclado táctil	29
Descripción general de los ciclos	29
Configuración	31
Características especiales	33
Cuidado y mantenimiento	35
Limpieza	35
Cuidado a largo plazo	39
Solución de problemas	40
Verificaciones	40
Códigos de información	45

Tabla de ciclos	46
<hr/>	
Apéndice	47
<hr/>	
Ayuda al medio ambiente	47
Especificaciones	47
Garantía y servicio	48
<hr/>	
Obtener ayuda	48
Garantía	48



Estimado cliente:

Felicitaciones por haber adquirido este vanguardista producto Dacor®. Nuestra excepcional combinación de funciones, estilo y rendimiento nos convierte en The Life of the Kitchen™ y una excelente incorporación a su hogar.

Para familiarizarse con los controles, las funciones y el completo potencial de su nuevo electrodoméstico Distinctive, lea detenidamente este manual de uso y cuidado, comenzando por la sección **Información sobre seguridad**.

Todos los electrodomésticos Dacor se han diseñado y fabricado con la calidad y el orgullo que determina el marco de valores de nuestra empresa. Si se produjera algún problema con el producto, consulte en primer lugar la sección **Solución de problema** de este manual. En ella encontrará sugerencias y soluciones útiles que puede seguir antes de llamar al servicio técnico.

La valiosa opinión de los clientes nos ayuda a mejorar constantemente nuestros productos y servicios, y por ello le rogamos que contacte con nuestro Servicio de atención al cliente siempre que necesite asistencia con alguno de sus productos.

Dacor Customer Service Team
14425 Clark Avenue
City of Industry, CA 91745

Teléfono: (800) 793-0093

Fax: (626) 403-3130

Horario: De lunes a viernes de 6:00 a.m. a 5:00 p.m. Hora del Pacífico

Sitio web: www.Dacor.com

Gracias por elegir Dacor para su hogar. Somos una empresa formada por familias y para familias, y nuestra misión es servirlos. Estamos seguros de que su nuevo producto Dacor le ofrecerá un alto nivel de rendimiento y disfrute por muchos años.

Atentamente,

The Dacor Customer Service Team

Información sobre seguridad

Felicitaciones por la compra de su nueva lavavajillas Dacor. Este manual contiene información importante acerca de la instalación, el uso y el cuidado del electrodoméstico. Lea detenidamente estas instrucciones a fin de aprovechar al máximo los múltiples beneficios y funciones de la lavavajillas.

Lo que necesita saber sobre las instrucciones de seguridad

Las advertencias y las instrucciones de seguridad importantes de este manual no cubren todas las posibles condiciones y situaciones que pueden ocurrir. Es su responsabilidad actuar con sentido común, precaución y cuidado cuando instale, realice el mantenimiento y ponga en funcionamiento la lavavajillas.

Símbolos de seguridad importantes

Significado de los iconos y las señales de este manual del usuario:

ADVERTENCIA

Peligros o prácticas inseguras que pueden causar **lesiones físicas graves o la muerte**.

Para reducir el riesgo de incendios, explosiones, descargas eléctricas o lesiones físicas al usar la lavavajillas, siga estas instrucciones básicas de seguridad:

PRECAUCIÓN

Peligros o prácticas inseguras que pueden causar **lesiones físicas leves o daños a la propiedad**.

Estas señales de advertencia sirven para evitar que usted y otras personas sufran lesiones.

Sígalas explícitamente.

Después de leer esta sección, guárdela en un lugar seguro para consultas futuras.

CONSERVE ESTAS INSTRUCCIONES



Información sobre seguridad

ADVERTENCIA

Advertencia sobre la State of California Proposition 65 (solo EE.UU.)

Este producto contiene sustancias químicas reconocidas en el estado de California como capaces de provocar cáncer y defectos de nacimiento u otras afecciones reproductivas.

ADVERTENCIA

Cuando utilice la lavavajillas, tome todas las precauciones básicas, incluyendo las siguientes:

1. Lea todas las instrucciones antes de usar la lavavajillas.
2. Utilice la lavavajillas únicamente para la función para la cual está diseñada.
3. Utilice únicamente detergentes o productos humectantes recomendados para utilizarse en lavavajillas y manténgalos fuera del alcance de los niños.
4. Cuando cargue los artículos que se lavarán:
 - coloque los artículos cortantes de manera que no dañen las juntas de la puerta y
 - cargue los cuchillos filosos con el mango hacia arriba para reducir el riesgo de sufrir lesiones por cortes.
5. No lave artículos de plástico a menos que tengan el rótulo "apto para lavavajillas" o su equivalente. En el caso de los artículos de plástico que no tengan tal rótulo, consulte las recomendaciones del fabricante.
6. No toque el ELEMENTO CALENTADOR durante el uso o inmediatamente después.
7. No ponga en funcionamiento la lavavajillas a menos que todos los paneles de CIERRE estén correctamente colocados.
8. No manipule indebidamente los controles.
9. Trate con cuidado la puerta y el estante de la lavavajillas, y no se siente ni se pare encima.
10. Para reducir el riesgo de lesiones, evite que los niños jueguen dentro de la lavavajillas o encima de ella.
11. En ciertas circunstancias, se puede producir gas hidrógeno en un sistema de agua caliente que no se ha usado durante dos semanas o más. EL GAS HIDRÓGENO ES EXPLOSIVO. Si el sistema de agua caliente no se ha usado durante dicho período, abra todas las llaves de agua caliente y deje que el agua fluya durante varios minutos antes de usar la lavavajillas. Esto disipará el gas hidrógeno acumulado. Dado que el gas es inflamable, no fume ni utilice una llama abierta durante ese tiempo.
12. Cuando deje de utilizar o descarte una lavavajillas antigua, retire la puerta del compartimiento de lavado.

PRECAUCIÓN

- Después de desempacar la lavavajillas, mantenga el empaque fuera del alcance de los niños.
- La lavavajillas es muy pesada. No intente moverla o trasladarla usted mismo. Se necesitan dos o más personas para mover una lavavajillas y evitar posibles lesiones.
- Al igual que con cualquier equipo que use electricidad, agua y piezas movibles, existen riesgos potenciales.

CONSERVE ESTAS INSTRUCCIONES



- No instale la lavavajillas cerca de componentes eléctricos. Mantenga la lavavajillas alejada de llamas abiertas.
- Instale y nivele la lavavajillas sobre una superficie no alfombrada que pueda soportar su peso.
- La lavavajillas debe conectarse a tierra correctamente. Nunca la conecte a un tomacorriente sin conexión a tierra. Consulte la página 7 para obtener más información sobre cómo conectar la lavavajillas a tierra.
- Conecte el cable a tierra a la conexión a tierra de color verde de la caja de terminales.
- Después de instalar la lavavajillas, asegúrese de que la manguera de drenaje esté correctamente conectada y que las conexiones de la manguera no tengan pérdidas. Si la manguera de drenaje está floja, puede ocasionar daños a la propiedad.
- La tubería de suministro de agua puede romperse. A medida que transcurre el tiempo, pierde su flexibilidad. Revise la tubería periódicamente. Si está hinchada, rasgada, cortada o si hay pérdidas de agua, reemplácela de inmediato.
- Para usar este electrodoméstico en forma segura, familiarícese con su funcionamiento y manéjelo con cuidado cuando lo use.
- No vierta gasolina, solventes ni otros materiales inflamables dentro de la lavavajillas. No lave vajilla que haya sido expuesta a estos materiales.
- Mantenga el detergente de la lavavajillas fuera del alcance de los niños. El detergente causa un efecto adverso en los órganos del cuerpo humano. Contiene sustancias para otorgar brillo y es corrosivo. Evite que el detergente entre en contacto con la piel o los ojos.
- No empuje ni ejerza presión sobre la puerta cuando esté abierta, ya que al hacerlo podría dañar la lavavajillas o hacerse daño.
- No permita que los niños jueguen dentro o encima de la lavavajillas. Pueden lesionarse o dañar la lavavajillas.
- Desconecte el cable de alimentación (o corte el disyuntor) antes de realizar el mantenimiento de la lavavajillas.
- No repare, reemplace ni realice el mantenimiento de ninguna de las piezas de su lavavajillas por su cuenta. Solo se permite que técnicos calificados autorizados realicen el desensamble, las reparaciones y las modificaciones. El trabajo efectuado por una persona no autorizada puede invalidar la garantía.
- Antes de deshacerse de su lavavajillas, retire la puerta del compartimiento de lavado o la traba de la puerta para evitar que niños o animales pequeños puedan quedar atrapados adentro.
- Si no va a utilizar la lavavajillas durante un período prolongado, corte el suministro de agua.
- Esta lavavajillas ha sido diseñada para uso residencial únicamente.

CONSERVE ESTAS INSTRUCCIONES



Información sobre seguridad

Antes de usar la lavavajillas

ADVERTENCIA



Riesgo de vuelco

- No utilice la lavavajillas hasta que no esté correctamente instalada.
- No ejerza presión sobre la puerta abierta.
- No coloque peso excesivo sobre la puerta abierta.



Riesgo de descarga eléctrica

El incumplimiento de estas instrucciones puede tener como resultado la muerte, incendios o descargas eléctricas:

- Conecte a tierra la lavavajillas.
- Conecte el cable a tierra a la conexión a tierra de color verde de la caja de conexiones.
- No utilice un cable prolongador.

Aviso normativo

Aviso de la FCC

PRECAUCIÓN DE LA FCC:

Todos los cambios o modificaciones que no cuenten con la aprobación expresa de la parte responsable del cumplimiento invalidará la autoridad del usuario para operar el equipo.

Este dispositivo cumple con el apartado 15 de las normas de la FCC. El funcionamiento se encuentra sujeto a las siguientes dos condiciones:

- (1) Este dispositivo no puede causar interferencias perjudiciales, y
- (2) Este dispositivo debe aceptar la recepción de cualquier interferencia, incluidas aquellas que puedan causar un funcionamiento indeseado.

Para los productos disponibles en el mercado de Estados Unidos/Canadá, solo puede operarse el canal 1~11. No es posible seleccionar otros canales.

CONSERVE ESTAS INSTRUCCIONES



DECLARACIÓN DE LA FCC:

Este equipo ha sido sometido a pruebas y se ha determinado que se encuentra dentro de los límites para los dispositivos digitales clase B, de acuerdo con el apartado 15 de las normas de la FCC. Dichos límites han sido diseñados para proporcionar una protección razonable contra las interferencias perjudiciales en una instalación residencial.

Este equipo genera, utiliza y puede irradiar energía de radiofrecuencia y, si no se lo instala y utiliza de acuerdo con las instrucciones, puede provocar interferencias perjudiciales para las comunicaciones de radio. Sin embargo, no existe garantía alguna de que no se producirán interferencias en una instalación determinada. Si el equipo provoca interferencias perjudiciales para la recepción de radio o televisión, lo cual puede determinarse al encender y apagar el equipo, se sugiere que el usuario trate de corregir la interferencia mediante una o más de las siguientes medidas:

- Reorientar o reubicar la antena receptora.
- Aumentar la distancia entre el equipo y el receptor.
- Conectar el equipo a una toma que esté en un circuito diferente al de la radio o el televisor.
- Consultar a su distribuidor o a un técnico experimentado en radio/TV para obtener ayuda.

DECLARACIÓN DE LA FCC SOBRE LA EXPOSICIÓN A LA RADIACIÓN:

Este equipo cumple con los límites de exposición a la radiación establecidos por la FCC para un entorno no controlado. Este equipo debe instalarse y utilizarse de manera que queden por lo menos 8 pulgadas (20 cm) entre el radiador y su cuerpo. Este dispositivo y su/s antena/s no deben ubicarse ni utilizarse junto con ninguna otra antena o transmisor.

CONSERVE ESTAS INSTRUCCIONES



Información sobre seguridad

Aviso de IC

El término "IC" antes del número de certificación de radio solo significa que se han cumplido las especificaciones técnicas

de Industry Canada. El funcionamiento se encuentra sujeto a las siguientes dos condiciones: (1) este dispositivo no puede causar interferencias perjudiciales, y (2) este dispositivo debe aceptar la recepción de cualquier interferencia, incluidas aquellas que puedan causar un funcionamiento indeseado.

Este aparato digital Clase B cumple con la norma canadiense ICES-003.

Cet appareil numérique de la classe B est conforme à la norme NMB-003 du Canada.

Para los productos disponibles en el mercado de Estados Unidos/Canadá, solo puede operarse el canal 1~11. No es posible seleccionar otros canales.

DECLARACIÓN DE IC SOBRE LA EXPOSICIÓN A LA RADIACIÓN:

Este equipo cumple con los límites de exposición a la radiación establecidos por IC RSS-102 para un entorno no controlado. Este equipo debe instalarse y utilizarse de manera que queden por lo menos 8 pulgadas (20 cm) entre el radiador y su cuerpo. Este dispositivo y su/s antena/s no deben ubicarse ni utilizarse junto con ninguna otra antena o transmisor.

CONSERVE ESTAS INSTRUCCIONES



Aviso de licencia de código abierto

El software incluido en este producto contiene software de código abierto. Puede obtener el código fuente completo correspondiente para un período de tres años a partir del último envío de este producto enviando un correo electrónico a <mailto:oss.request@samsung.com>.

Asimismo, es posible obtener el código fuente completo correspondiente en un soporte físico como un CD-ROM; se le cobrará una tasa mínima.

La siguiente URL <http://opensource.samsung.com/opensource/SimpleConnectTP/seq/0> lleva a la página de descarga del código fuente disponible y a la información de licencia de código abierto relacionada con este producto. Esta oferta es válida para quienes reciban esta información.



CONSERVE ESTAS INSTRUCCIONES

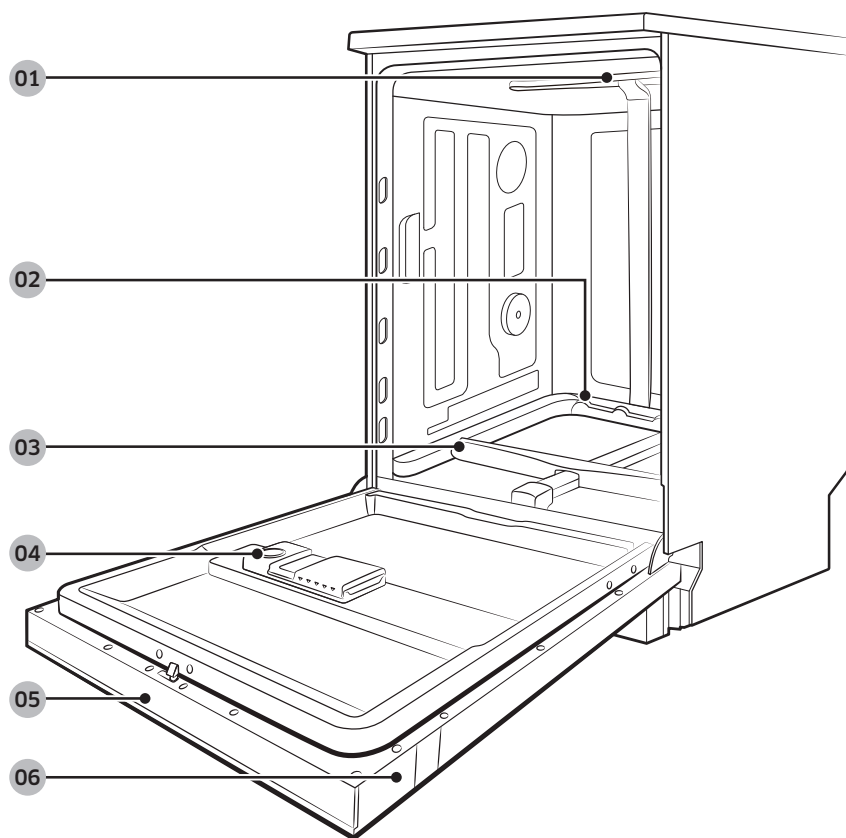
Antes de comenzar

Siga estas instrucciones atentamente para garantizar la adecuada instalación de la lavavajillas.

- Retire con cuidado el empaque del producto y verifique que no haya daños. Si la lavavajillas está dañada, tome nota de ello en la carta de porte y guarde una copia. No instale la lavavajillas y comuníquese con el centro de atención al cliente de Dacor.
- Si el producto no está dañado, comience con la instalación. Si va a instalar la lavavajillas por su cuenta, asegúrese de leer por completo el manual de instalación y de seguir las instrucciones.
- Para garantizar la seguridad de los niños, mantenga los materiales de empaque lejos de su alcance.

Antes de comenzar

Descripción general de la lavavajillas



01 Boquilla superior

02 Boquilla inferior

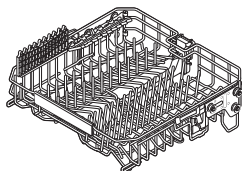
03 Reflector de agua

04 Dosificador

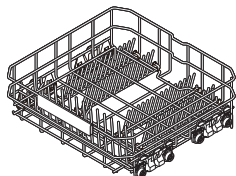
05 Panel de control

06 Puerta

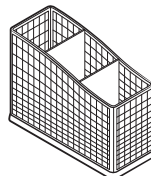
Accesorios



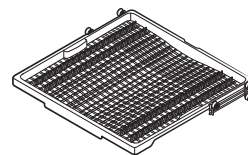
Estante superior



Estante inferior



Estante para
cubiertos

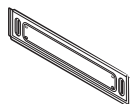


3^{er} estante

Otros



Kit de instalación
(incluye el manual de
instalación/usuario)



Placa de protección

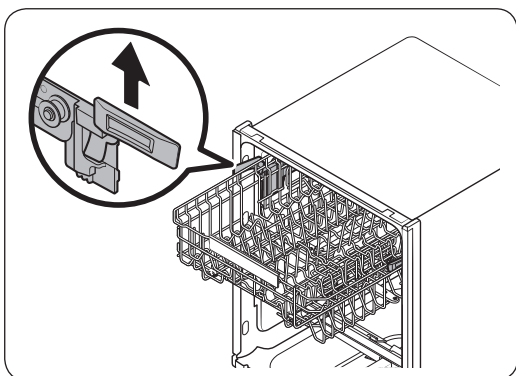
Antes de comenzar

Antes de comenzar

Uso básico de los estantes

Ajuste de la altura

Puede ajustar la altura del estante superior para dar cabida en el estante inferior a platos de mayor tamaño. Según la altura del estante superior, en el estante inferior se pueden colocar platos de hasta 12 pulgadas (30 cm) de diámetro y en el estante superior platos de hasta 8 pulgadas (20 cm) de diámetro.



Para elevar el estante superior

Jale el estante superior hacia arriba. La manija ajustable se trabará y el estante superior se elevará.

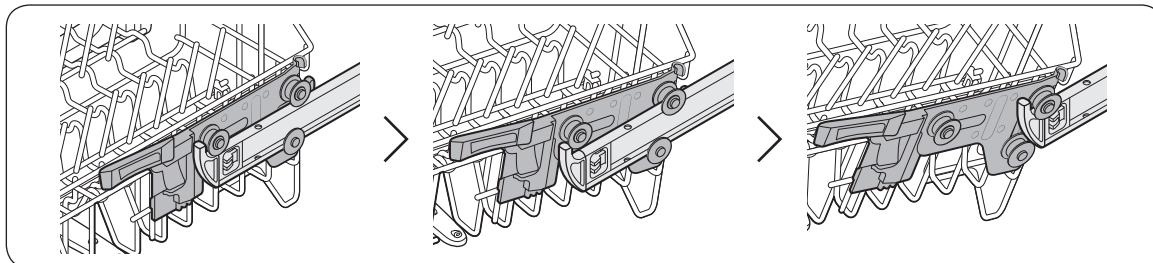
Para bajar el estante superior

Sujete ambas manijas ajustables, ubicadas a la izquierda y la derecha del estante superior, y, luego, presione uniformemente hacia abajo.

⚠ PRECAUCIÓN

- Ajuste la altura del estante superior antes de cargar la vajilla. Si ajusta el estante luego de cargar la vajilla, esta puede resultar dañada.
- Asegúrese de sujetar ambas manijas al realizar el ajuste; de lo contrario, es posible que la puerta no cierre adecuadamente.

Para retirar el estante superior



Jale el estante superior hacia adelante hasta que quede completamente extendido y, luego, levántelo levemente para retirarlo. Consulte las figuras de arriba para obtener ilustraciones de los pasos.

PRECAUCIÓN

- No haga funcionar la lavavajillas sin el estante superior. De lo contrario, se producirán ruidos y la lavavajillas no funcionará correctamente.
- Dado que el estante superior es extraíble, insértelo adecuadamente para asegurar que la lavavajillas funcione con normalidad.

Antes de comenzar

Precauciones sobre la carga

Artículos no adecuados para la lavavajillas

Lave solamente artículos tales como vidrio, porcelana y cubiertos que el fabricante declara como aptos para lavavajillas. No lave artículos de aluminio (por ejemplo, filtros de grasa). La lavavajillas puede dañar el aluminio o, en casos extremos, puede provocar una reacción química grave.

No lave los siguientes artículos en la lavavajillas.

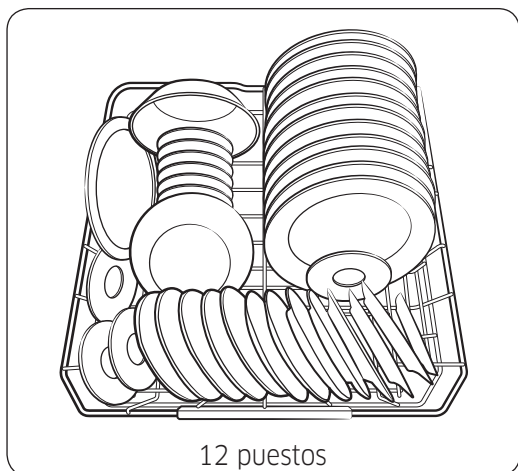
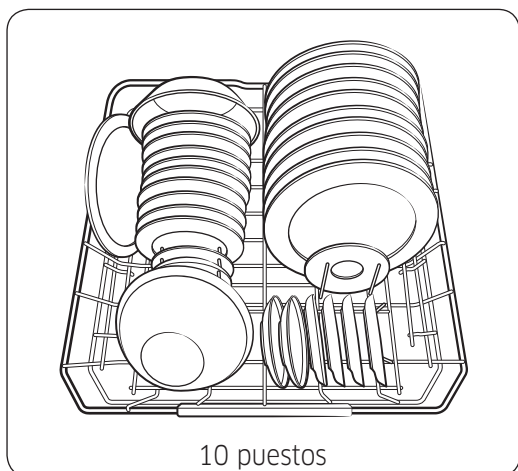
- Artículos de acrílico o aluminio: Pueden decolorar los platos con un borde dorado impreso y dañar otros artículos.
- Platos tratados con adhesivos: Los plásticos tratados se deben lavar aparte. Los adornos de madera, marfil, cobre y hojalata de los platos pueden despegarse.
- Plásticos con una tolerancia a la temperatura inferior a 194 °F (90 °C): Los plásticos delgados no se lavan ni secan bien y es posible que se dañen debido a las altas temperaturas de lavado.
- Hojalata: Los artículos de hojalata deben lavarse a mano y secarse inmediatamente. De lo contrario, se pueden oxidar.
- Utensilios de madera: Los artículos de madera pueden agrietarse.

PRECAUCIÓN

- No lave artículos que estén cubiertos con cenizas, arena, cera, grasa lubricante o pintura.
- Estos materiales dañarán la lavavajillas. La ceniza no se disuelve y se esparcirá dentro de la lavavajillas.
- Retire de la vajilla los restos de alimentos tales como huesos, semillas, etc. y los desechos como palillos, servilletas de papel, etc. Los restos de alimentos y los desechos pueden generar ruidos, causar el mal funcionamiento de la lavavajillas y dañar la vajilla y el electrodoméstico.

Cómo cargar la vajilla

En el estante inferior

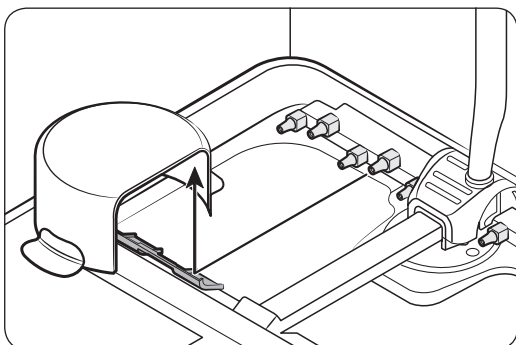


Cargue los utensilios de cocina (recipientes, ollas, etc.) de hasta 12 pulgadas (30 cm) de diámetro en el estante inferior. El estante inferior se ha diseñado específicamente para platos de comida, tazones para sopa, fuentes, ollas, tapas y cacerolas.

Cargue los platos en la columna central del estante de manera tal que la parte superior de un plato quede orientada hacia la parte inferior del siguiente plato. Cargue los artículos grandes como recipientes y ollas en la lavavajillas de manera que las cavidades internas miren hacia abajo. Recomendamos colocar las tazas, la cristalería y los platos pequeños en el estante superior. Consulte los patrones de carga recomendados que se encuentran a continuación.

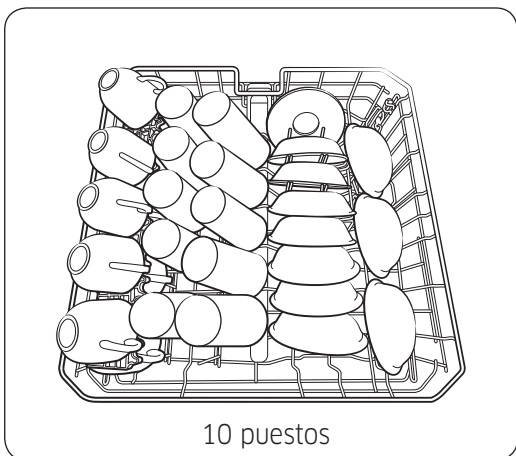
Antes de comenzar

En las áreas de la zona de refuerzo



Para una limpieza más efectiva, cargue los artículos grandes en el lado izquierdo del estante inferior: el área de la zona de refuerzo. La función Zone Booster (Zona de refuerzo) suministra chorros de agua más potentes en el área de la zona de refuerzo. Asegúrese de que las manijas de las ollas y otros artículos no interfieran con la rotación de las boquillas y el reflector de agua.

En el estante superior



10 puestos

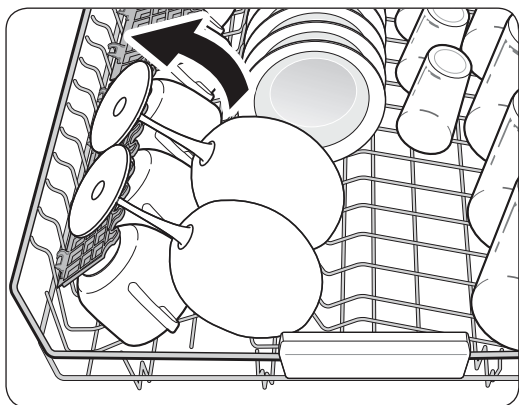
Este estante es para platos pequeños, jarras, vasos y objetos de plástico. Asegúrese de que la vajilla cargada no interfiera con la rotación de la boquilla que se encuentra en la parte inferior del estante superior. (Para verificarlo, haga rotar la boquilla a mano).

Al cargar la vajilla, jale hacia afuera el estante superior para que pueda cargarlo sin golpear la encimera de arriba.



12 puestos

Uso del soporte para copas

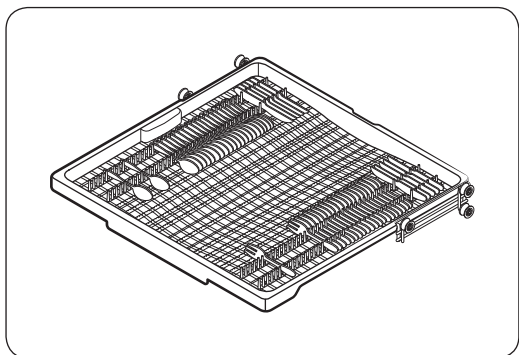


El soporte para copas se utiliza para tazas, artículos pequeños y utensilios largos, y es especialmente adecuado para copas de vino. Cuelgue las copas de vino de las espigas de los estantes para tazas. Vuelva a plegar el soporte para copas cuando no lo utilice.

⚠ PRECAUCIÓN

No ajuste el nivel del estante superior con el soporte para copas elevado. Esto hará que sea imposible empujar el soporte para copas en el estante superior.

Estante para cubiertos



Este estante resulta mejor para cubiertos y utensilios para cocinar y servir. Utilícelo a fin de organizar los cubiertos y utensilios.

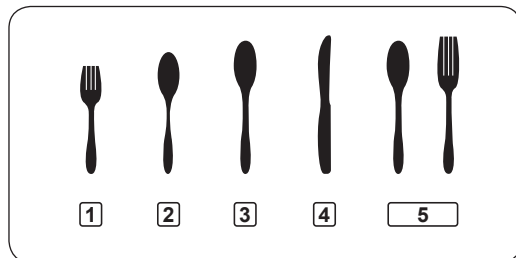
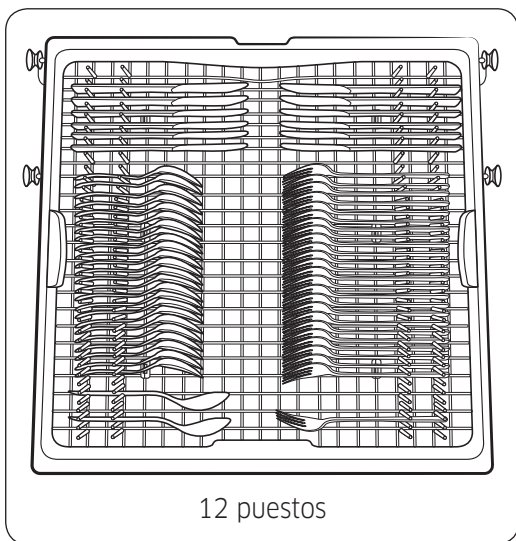
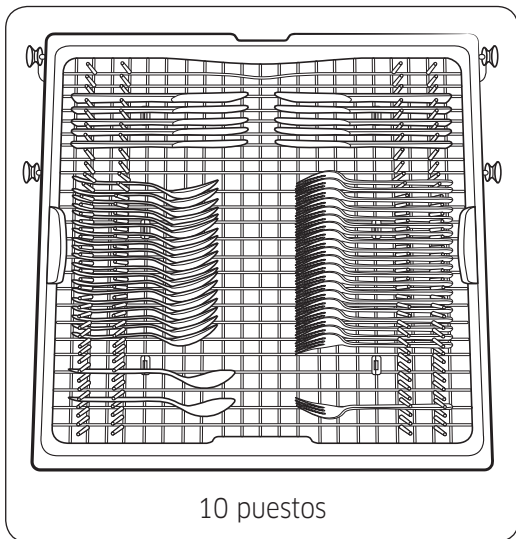
📄 NOTA

- Para obtener los mejores resultados, coloque los artículos muy sucios en el estante para cubiertos estándar.
- Este estante se puede retirar si se necesita más espacio en el estante superior para lavar artículos voluminosos.

El estante se mantendrá estable si los artículos se colocan según lo sugerido arriba. Consulte las figuras a continuación y haga coincidir los números de la izquierda con los de la derecha.

Antes de comenzar

Antes de comenzar



1. Tenedor
2. Cucharita
3. Cuchara para postre
4. Cuchillo
5. Cuchara y tenedor de servir

PRECAUCIÓN

No deje que los artículos queden esparcidos en la parte inferior del estante.

Guías sobre detergentes

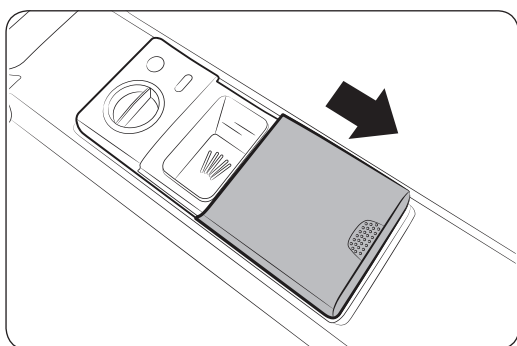
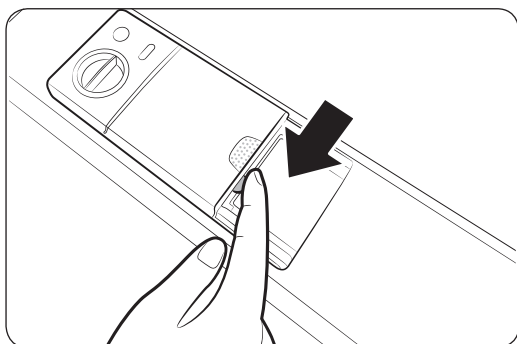
Todos los ciclos de la lavavajillas requieren detergente en el compartimiento correspondiente. Agregue detergente según corresponda para el ciclo seleccionado a fin de asegurar el mejor rendimiento.

⚠ ADVERTENCIA

- No ingiera detergente para lavavajillas. Evite inhalar las emanaciones del detergente. Los detergentes para lavavajillas contienen productos químicos irritantes y cáusticos que pueden provocar trastornos respiratorios. Si ingirió detergente para lavavajillas o inhaló sus emanaciones, busque atención médica inmediatamente.
- Mantenga el detergente fuera del alcance de los niños.

⚠ PRECAUCIÓN

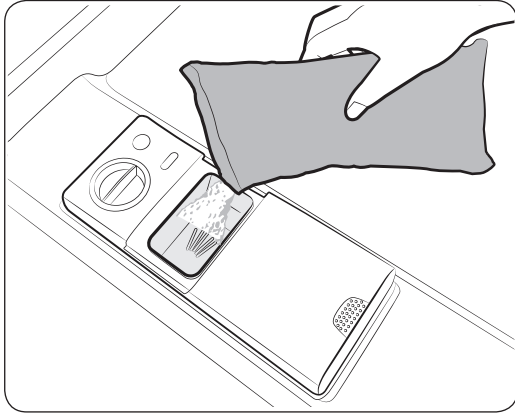
Use solamente detergente para lavavajillas. Otros tipos de detergentes producen demasiada espuma, lo que puede afectar el rendimiento de la lavavajillas o causar su mal funcionamiento.



1. Presione suavemente la tapa del dosificador para destrabarla y, luego, deslícela para abrirla. Tenga en cuenta que la tapa del dosificador se abre al final de cada ciclo.

Antes de comenzar

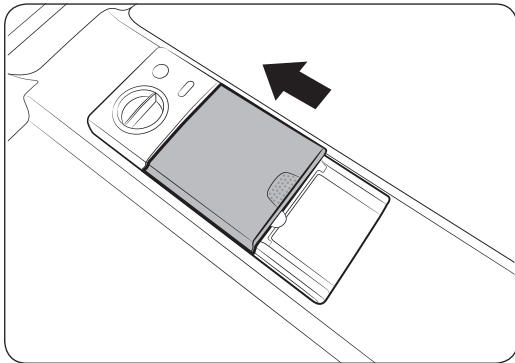
Antes de comenzar



2. Agregue la cantidad recomendada de detergente en el compartimiento principal.
3. Cierre la tapa y presiónela para trabarla.

NOTA

Esta lavavajillas no cuenta con un compartimiento separado para tabletas de detergente.



4. Para obtener los mejores resultados, agregue una pequeña cantidad (media onza o aproximadamente 15 g) de detergente en la puerta. El detergente adicional se activará durante el proceso de prelavado.

Cantidades recomendadas

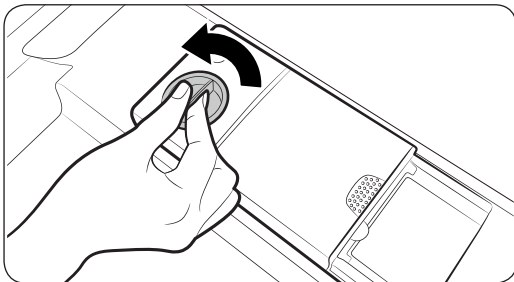
Ciclo	Cantidad de detergente	
	Dosificador para el lavado principal	En la puerta para el prelavado
Auto (Automático), Normal	$\frac{3}{4}$ oz (20 g)	$\frac{1}{3}$ oz (10 g)
Heavy (Muy sucio), Express 60 (Rápido 60)	1 oz (30 g)	$\frac{1}{2}$ oz (15 g)
Delicate (Vajilla delicada)	$\frac{3}{4}$ oz (20 g)	$\frac{1}{5}$ oz (5 g)

Producto para el enjuague

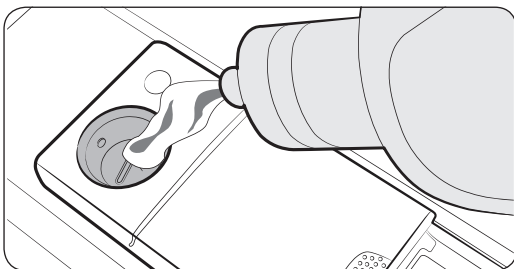
El producto de enjuague mejora el rendimiento del secado de la lavavajillas. Cuando se encienda el indicador Reponer producto de enjuague en el panel de control, reponga el producto para el enjuague. Use solamente productos líquidos para el enjuague. Los productos en polvo pueden obstruir la apertura del compartimiento y hacer que la lavavajillas no funcione correctamente.

⚠ PRECAUCIÓN

- No agregue ningún tipo de detergente en el compartimiento para el producto de enjuague.
- No llene excesivamente el compartimiento. El exceso de producto de enjuague se puede derramar durante un ciclo.

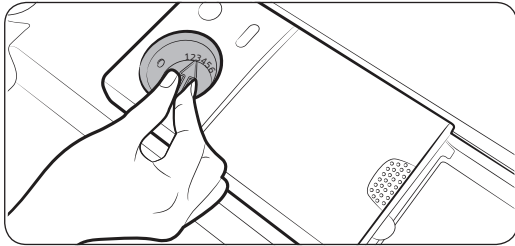


1. Gire la tapa hacia la izquierda para retirarla.



2. Llene el compartimiento con el producto de enjuague según lo especificado por el fabricante de dicho producto.

Antes de comenzar



3. Gire el selector del producto de enjuague para seleccionar un nivel entre 1 y 6.
 - Cuanto más alto es el número, más cantidad de producto de enjuague utiliza la lavavajillas.
 - Para mejorar el rendimiento del secado, seleccione un nivel superior.
 - Si hay decoloración en los platos, cambie a un nivel inferior.
4. Gire la tapa hacia la derecha para cerrarla.

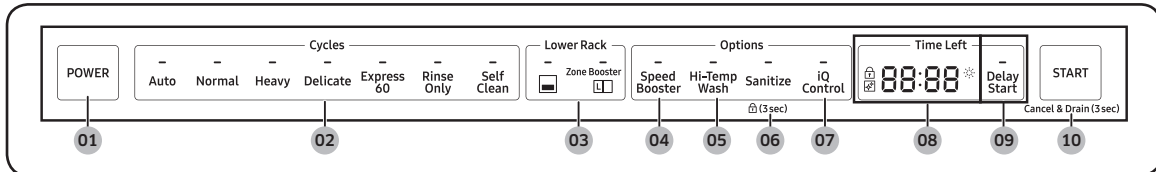
Reflector de agua

El reflector de agua detecta automáticamente los obstáculos dentro de la lavavajillas que pueden interferir con la señal del reflector. Si se detecta algún obstáculo al final de un ciclo, "0" parpadea durante unos minutos. La lavavajillas emite una señal sonora durante unos minutos. Si esto sucede, retire el obstáculo.

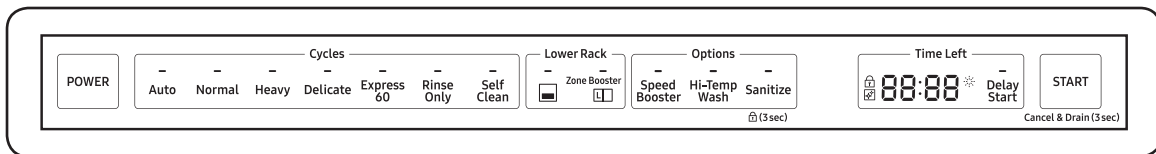
Operaciones

Panel de control

Serie DDW24M99**



Serie DDW24T99*

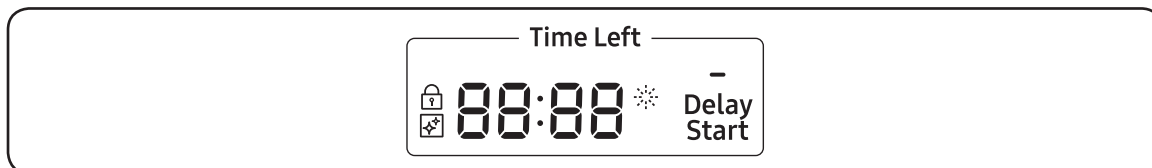





01 POWER (ENCENDIDO)	<p>Presione para apagar o encender la lavavajillas. Al completarse un ciclo, todos los demás indicadores se apagan y "0" se muestra en la pantalla. A continuación, la lavavajillas se apaga automáticamente.</p>
02 Selector de ciclos	<p>Presione para seleccionar un ciclo según el nivel de suciedad de la vajilla. Se enciende el indicador del ciclo correspondiente. El ciclo predeterminado es Normal.</p>
03 Lower Rack (Estante inferior)	<p>Lower Rack (Estante inferior) solamente: Si se selecciona esta opción, solo se activa la boquilla del estante inferior para reducir tanto el tiempo del ciclo como el consumo de energía. Utilice este ciclo para lavar cargas pequeñas de platos o vasos en el estante inferior. Para lavar artículos muy sucios, agregue la opción Zone Booster (Zona de refuerzo).</p> <p>Zone Booster (Zona de refuerzo): Seleccione esta opción para mejorar el rendimiento de la limpieza. Se activa un potente chorro que se dirige a los artículos en el lado izquierdo del estante inferior. Esta opción puede aumentar ligeramente el consumo de energía.</p> <p>NOTA</p> <p>Si utiliza solamente el estante inferior, la boquilla superior se desactivará. Por lo tanto, no cargue artículos en el estante superior. Sin embargo, la opción Zone Booster (Zona de refuerzo) está disponible independientemente de la disponibilidad de la boquilla superior.</p>

Operaciones

04 Speed Booster (Aumentar velocidad)	Seleccione esta opción para reducir el tiempo del ciclo. Esto está disponible solo con los ciclos Auto (Automático), Normal, Heavy (Muy sucio) y Delicate (Vajilla delicada).
05 Hi-Temp Wash (Lavado a alta temperatura)	Seleccione esta opción para aumentar la temperatura del lavado principal a fin de mejorar el rendimiento de la limpieza en las cargas que contienen alimentos adheridos difíciles de quitar. Esto está disponible solo con los ciclos Auto (Automático), Normal, Heavy (Muy sucio) y Express 60 (Rápido 60).
06 Sanitize (Control Lock) (Desinfección (Bloqueo de controles))	Cuando se selecciona esta opción, la temperatura del agua se eleva a 163 °F (73 °C) en el enjuague final para la desinfección a alta temperatura. Para obtener más información, consulte la sección Options (Opciones) en la página 30. Bloqueo de controles: El bloqueo de controles permite bloquear los botones del panel de control excepto el botón POWER (ENCENDIDO) . Para obtener más información, consulte la sección Bloqueo de controles en la página 34.
07 iQ Control (Control iQ)	Se puede supervisar y controlar la lavavajillas de forma remota a través de una conexión Wi-Fi. Para conectar por primera vez la lavavajillas a su teléfono inteligente, mantenga presionado iQ Control (Control iQ). Para obtener más información, consulte la sección Dacor iQ Kitchen en la página 33.
08 Pantalla	Muestra información del ciclo actual incluyendo el nombre/tiempo del ciclo, el tiempo restante y los ajustes, así como un código de información si se encuentra alguno.
09 Delay Start (Inicio retardado)	Es posible retrasar el tiempo de inicio de un ciclo. Para obtener más información, consulte la sección Delay Start (Inicio retardado) en la página 34.
10 START (Cancel & Drain) (INICIO (Cancelar y drenar))	Presione START (INICIO) para iniciar la operación. Asegúrese de que la puerta esté cerrada. *Cancel & Drain (Cancelar y drenar): Para cancelar el ciclo actual y drenar la lavavajillas, mantenga presionado START (INICIO) durante 3 segundos.

Indicadores



Indicador de Bloqueo de controles		Se enciende cuando está activada la función Bloqueo de controles y parpadea unos segundos si se presiona cualquier botón excepto POWER (ENCENDIDO) .
Indicador de Autolimpieza		Se enciende cuando está activada la función Autolimpieza y parpadea durante 5 segundos cada 20 a 22 ciclos. El contador de ciclos desaparece cuando se completa el ciclo de autolimpieza o cuando la lavavajillas llega al 23 ^{er} ciclo.
Indicador de Reponer producto de enjuague		Se enciende cuando la lavavajillas se queda sin producto de enjuague.

NOTA

Todos los indicadores se encienden cuando la lavavajillas entra en modo de espera o se detiene. Sin embargo, todas se apagan durante el funcionamiento de la lavavajillas.

Operaciones

Pasos sencillos para comenzar

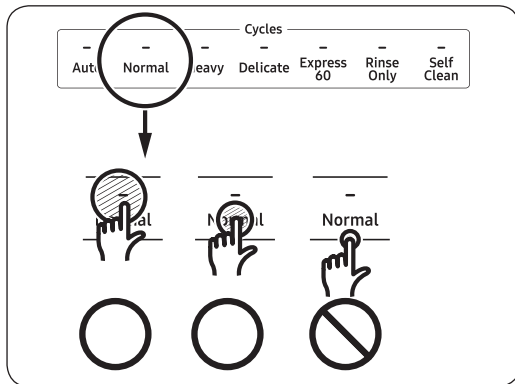
1. Abra la puerta y, luego, cargue la lavavajillas. Asegúrese de que los platos estén vacíos.
2. Si corresponde, coloque los platos en el estante inferior. En caso de agregar la opción Zone Booster (Zona de refuerzo), coloque los platos en el lado izquierdo del estante inferior.
3. Agregue detergente en el dosificador. Para obtener mejores resultados, añada productos de enjuague.
4. Presione **POWER (ENCENDIDO)** y, luego, seleccione un ciclo con las opciones necesarias (Speed Booster (Aumentar velocidad), Sanitize (Desinfección), etc.). La disponibilidad de los ciclos depende del modelo.
5. Presione **START (INICIO)** y, luego, cierre la puerta. La lavavajillas inicia el ciclo después de drenarse unos segundos.

NOTA

- Para cambiar el ciclo una vez que se ha iniciado, mantenga presionado **START (INICIO)** durante 3 segundos para cancelarlo. A continuación, seleccione un nuevo ciclo.
- El ciclo predeterminado es Normal.
- Para reanudar después de abrir la puerta para detener la lavavajillas durante el funcionamiento, simplemente cierre la puerta.

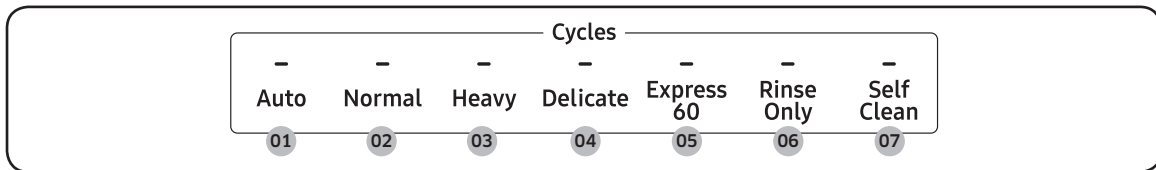
Respuesta del teclado táctil

Para evitar que los controles táctiles pierdan la capacidad de respuesta, siga estas instrucciones.




- Toque con el dedo el centro de cada botón.
- No toque más de un botón al mismo tiempo, excepto cuando así se le indique.
- Limpie de forma regular la superficie del panel táctil con un trapo suave y húmedo.

Descripción general de los ciclos



01 Auto (Automático)	Este ciclo detecta el nivel de suciedad e inicia automáticamente el ciclo óptimo, lo cual resulta apropiado para todos los niveles de suciedad de los artículos.
02 Normal	Este ciclo reduce el consumo de energía y agua, lo cual resulta apropiado para los artículos con un nivel de suciedad normal. Para reducir el tiempo del ciclo, seleccione la opción Speed Booster (Aumentar velocidad).
03 Heavy (Muy sucio)	Seleccione este ciclo para artículos muy sucios.
04 Delicate (Vajilla delicada)	<p>Seleccione este ciclo para artículos frágiles y poco sucios, tales como cristalería fina y copas de vino. Al seleccionar este ciclo, se desactivan las opciones Zone Booster (Zona de refuerzo) y Sanitize (Desinfección).</p> <p>⚠ PRECAUCIÓN</p> <p>No utilice este ciclo para otros objetos de vidrio. Pueden aparecer opacidades o marcas.</p>

Operaciones

05 Express 60 (Rápido 60)	Seleccione este ciclo para lavar artículos ligeramente sucios en aproximadamente 1 hora. Al seleccionar este ciclo, se desactivan las opciones Speed Booster (Aumentar velocidad) y Zone Booster (Zona de refuerzo).
06 Rinse Only (Solo enjuague)	Seleccione este ciclo para solamente enjuagar los artículos que no necesitan lavarse. En este ciclo no se utiliza detergente.
07 Self Clean (Autolimpieza)	Utilice este ciclo para limpiar la tina de la lavavajillas. Asegúrese de que la lavavajillas esté vacía. Si es necesaria la autolimpieza de la lavavajillas, el indicador Autolimpieza parpadea durante 5 segundos cuando la enciende. Si pone en marcha la lavavajillas cuando el indicador está parpadeando, este se apaga automáticamente.  PRECAUCIÓN No utilice este ciclo para lavar platos.

Opciones

Speed Booster (Aumentar velocidad)	Seleccione esta opción para reducir el tiempo del ciclo.
Hi-Temp Wash (Lavado a alta temperatura)	Seleccione esta opción para aumentar la temperatura del lavado principal a fin de mejorar el rendimiento de la limpieza en las cargas que contienen alimentos adheridos difíciles de quitar.
Sanitize (Desinfección)	Cuando se selecciona esta opción, la temperatura del agua se eleva a 163 °F (73 °C) en el enjuague final para la desinfección a alta temperatura. El indicador correspondiente parpadea cuando la temperatura del agua alcanza la temperatura de desinfección (más de 155 °F / 68 °C) y, luego, permanece encendido hasta que finaliza el proceso de desinfección. <ul style="list-style-type: none"> • La función Sanitize (Desinfección) cumple con la Norma 184 NSF/ANSI para lavavajillas residenciales. Las lavavajillas residenciales certificadas no han sido diseñadas para los establecimientos alimentarios autorizados. Su lavavajillas ha sido certificada por NSF. • Solo el ciclo Heavy (Muy sucio) con la opción Sanitize (Desinfección) ha sido diseñado para cumplir con los requisitos de NSF 184 con respecto a la eficacia en la eliminación de la suciedad y la desinfección. • No disponible con los ciclos Delicate (Vajilla delicada) y Rinse Only (Solo enjuague).

Configuración

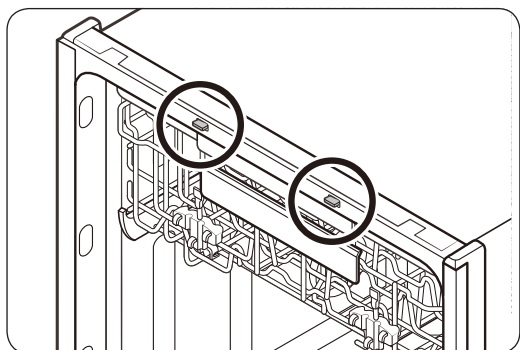
Puede cambiar la configuración del sonido o el brillo de la pantalla según sus preferencias. Para cambiar la configuración, presione **Delay Start (Inicio retardado)** y **Sanitize (Desinfección)** simultáneamente durante 3 segundos. Presione **Sanitize (Desinfección)** para navegar por los submenús, y presione **Delay Start (Inicio retardado)** para confirmar los cambios.

Sonido > Secado Auto Release™
U1/U0 A1/A0

Sonido

Presione **Sanitize (Desinfección)** hasta que aparezca 'U1' o 'U0'. Para silenciar la lavavajillas, seleccione 'U0' y, luego, presione **Delay Start (Inicio retardado)**. Para desactivar el silenciamiento, seleccione 'U1' y, luego, presione **Delay Start (Inicio retardado)**.

Secado Auto Release™



La función de Secado Auto Release™ está diseñada para mejorar el rendimiento del secado. Abre automáticamente la puerta de la lavavajillas 5 a 15 minutos antes de que finalice un ciclo. Existen 2 métodos para activar o desactivar esta función.

Operaciones

En el modo de configuración

1. Mantenga presionados **Delay Start (Inicio retardado)** y **Sanitize (Desinfección)** simultáneamente durante 3 segundos para entrar al modo de configuración.
2. Continúe presionando **Sanitize (Desinfección)** hasta que aparezca 'A1' o 'A0'. Seleccione entre 'A1' (activado) y 'A0' (desactivado). Para obtener mejores resultados, seleccione 'A1' (predeterminado).
3. Presione **Delay Start (Inicio retardado)** para confirmar los cambios.

En el panel de control

- Para activar la función de Secado Auto Release™, mantenga presionados **Lower Rack (Estante inferior)** y **Hi-Temp Wash (Lavado a alta temperatura)** simultáneamente durante 3 segundos. Aparecerá 'A1'.
- Para desactivarla, vuelva a mantener presionados los botones durante 3 segundos. Aparecerá 'A0'.



NOTA

- Una vez que la puerta se abre para dejar salir los vapores, no se puede cerrar manualmente durante los próximos 2 minutos. Esto es normal y no se trata de un defecto del producto.
- Esta función no está disponible con el ciclo Rinse Only (Solo enjuague).

Características especiales

Dacor iQ Kitchen (solo modelos aplicables)

Este producto es una lavavajillas inteligente que admite la aplicación Dacor iQ Kitchen. El tiempo que la aplicación tarda en conectar y registrar la lavavajillas depende de las condiciones de su red.

Instalación

Visite Google Play Store, Galaxy Apps o Apple App Store y busque “DacoriQ Kitchen”. Descargue e instale en su dispositivo inteligente la aplicación DacoriQ Kitchen provista.

NOTA

- La aplicación DacoriQ Kitchen está diseñada para Android 4.0 (ICS) o superior, o iOS 8.0 o superior.
- Para un mejor rendimiento, la aplicación Dacor iQ Kitchen está sujeta a cambios sin previo aviso.

Cómo registrar una cuenta Samsung

Para utilizar la aplicación Dacor iQ Kitchen, primero debe iniciar sesión en su cuenta Samsung. Si no tiene una cuenta Samsung, seleccione **Register (Registrarse)** en la aplicación y, luego, siga las instrucciones en pantalla para crear una cuenta.



Operaciones

Cómo comenzar

Al utilizar Dacor iQ Kitchen, puede controlar la lavavajillas de manera remota desde su dispositivo inteligente. Para un mejor rendimiento, el contenido y el diseño de la aplicación están sujetos a cambios sin previo aviso.

1. Inicie la aplicación Dacor iQ Kitchen en su teléfono inteligente.
2. Si 'Dish Washer's' (Lavavajillas) no aparece en la lista, toque **Add Device (Agregar dispositivo)** > **Select other device (Seleccionar otro dispositivo)** > **Dish Washer (Lavavajillas)** en la pantalla de la aplicación.
3. Mantenga presionado **Smart Control** en el panel de control de la lavavajillas durante más de 5 segundos hasta que aparezca el mensaje 'AP' en la pantalla.
4. Cuando haya finalizado el registro del dispositivo, active la función Smart Control de la lavavajillas para controlarla de forma remota.

Inicio retardado

Puede retrasar el tiempo de inicio de un ciclo hasta 24 horas en incrementos de 1 hora. Para aumentar el tiempo de inicio retardado, presione **Delay Start (Inicio retardado)** (🕒). La hora en pantalla indica el tiempo en el cual comenzará el ciclo.

1. Abra la puerta y, luego, cargue la lavavajillas.
2. Presione **Delay Start (Inicio retardado)** (🕒) y, luego, mantenga presionado **Delay Start (Inicio retardado)** (🕒) para cambiar el tiempo en incrementos de 1 hora.
3. Cierre la puerta y, luego, presione **START (INICIO)**.

NOTA

Para modificar el tiempo de retardo después de la puesta en marcha de la lavavajillas, presione **POWER (ENCENDIDO)** y reinicie la lavavajillas.

Bloqueo de controles

Para evitar que los niños jueguen con la lavavajillas, Bloqueo de controles bloquea todos los botones excepto **POWER (ENCENDIDO)**.

- Para activarlo, mantenga presionado **Sanitize (Desinfección)** durante 3 segundos. Con Bloqueo de controles activado, no es posible seleccionar ciclos u opciones ni iniciar una operación.
- Para desactivarlo, mantenga presionado nuevamente **Sanitize (Desinfección)** durante 3 segundos.
- Bloqueo de controles permanece activo después de reiniciar la lavavajillas. Para cancelarlo, primero debe desactivarlo.
- Para agregar detergente o más artículos mientras Bloqueo de controles está activo, primero debe desactivarlo.



Cuidado y mantenimiento

Limpieza

Mantenga limpia la lavavajillas para mejorar su rendimiento, reducir la cantidad de reparaciones innecesarias y alargar su vida útil.

Exterior

Limpie los derrames en la superficie de la lavavajillas a medida que ocurran. Utilice un paño suave y húmedo para limpiar suavemente todos los derrames y el polvo del panel de control.

⚠ PRECAUCIÓN

- No utilice benceno, cera, diluyente, blanqueador a base de cloro, alcohol u otras sustancias químicas. Estos materiales pueden decolorar la superficie de la lavavajillas y ocasionar manchas.
- La lavavajillas tiene piezas eléctricas en su interior. No rocíe agua directamente sobre la lavavajillas. Proteja los componentes eléctricos para evitar que entren en contacto con el agua.
- Para un panel en puerta de acero inoxidable, utilice un limpiador de acero inoxidable para electrodomésticos y un paño limpio y suave.

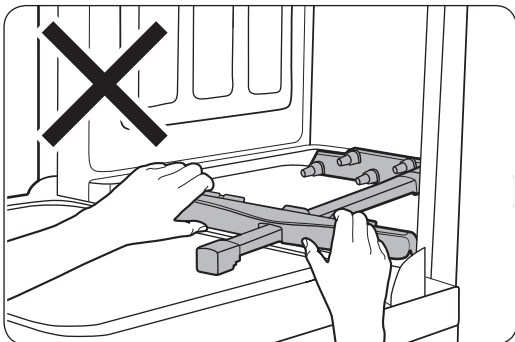
Interior

Limpie con regularidad el interior de la lavavajillas para eliminar las partículas de suciedad o comida. Limpie el interior de la lavavajillas y de la puerta con un paño húmedo. Recomendamos que llene el dosificador con detergente para lavavajillas y, luego, ejecute el ciclo de autolimpieza con la lavavajillas vacía.

Para mantener limpia la rejilla para cubiertos, voltéela luego de usarla. Para eliminar las manchas blancas y los olores de la rejilla para cubiertos, ejecute el ciclo de autolimpieza con la lavavajillas vacía y sin detergente hasta que se vacíe. Luego, detenga el ciclo y agregue una taza de 8 onzas de vinagre blanco en la canasta inferior. Cierre la puerta y reanude el ciclo.

⚠ PRECAUCIÓN

No quite el sello frontal (el sello de goma largo que rodea la abertura de la lavavajillas). El sello mantiene el interior de la lavavajillas sellado.



Utilice un paño húmedo para eliminar los depósitos de cal o grasa dentro de la lavavajillas. Como alternativa, agregue un poco de detergente y, luego, ejecute un ciclo vacío usando la temperatura de enjuague más alta.

⚠ PRECAUCIÓN

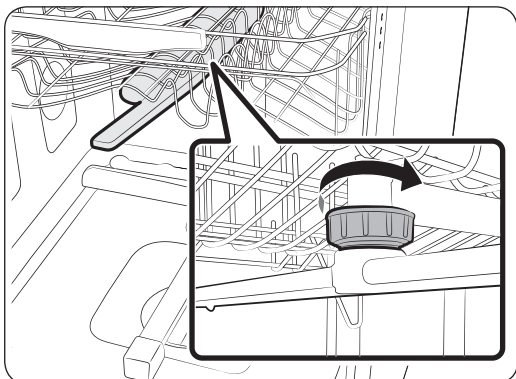
Para evitar dañar el motor, tenga cuidado al mover manualmente el reflector de agua.

Cuidado y mantenimiento

Boquillas

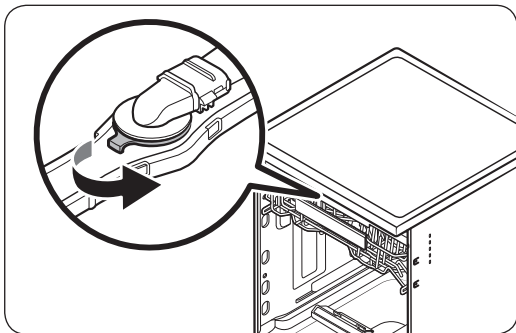
Para evitar que las boquillas se atasquen o si las boquillas están obstruidas, retire y limpie cada una. Tenga cuidado al retirar las boquillas porque pueden romperse.

Boquilla superior



1. Abra la puerta y, luego, jale el estante superior para revelar la boquilla superior.
2. Afloje y retire la tuerca y, luego, quite la boquilla.
3. Desobstruya y limpie la boquilla.
4. Vuelva a insertar la boquilla y, luego, ajuste la tuerca con la mano.
5. Gire manualmente la boquilla para asegurarse de que esté bien enganchada.

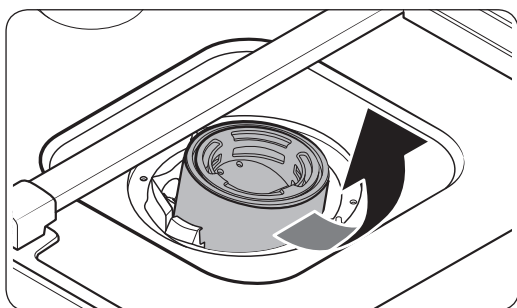
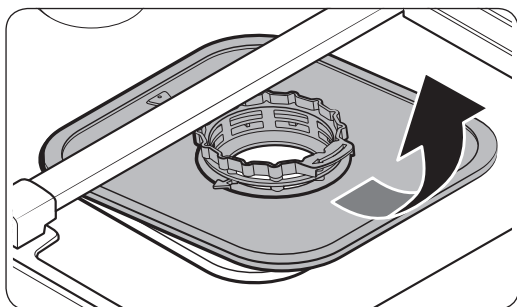
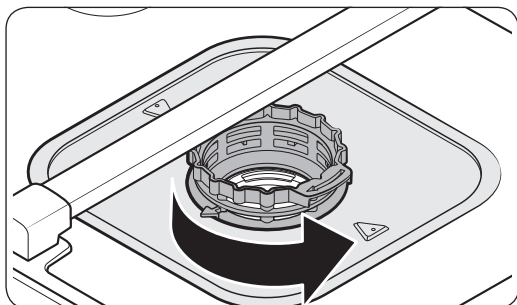
Boquilla superior



1. Abra la puerta y, luego, jale el estante superior para retirarlo. Se puede ver la boquilla superior en la parte de arriba.
2. Gire hacia la izquierda y retire la tapa de la boquilla; luego, retire la boquilla.
3. Desobstruya y limpie la boquilla.
4. Vuelva a insertar la boquilla y, luego, ajuste la tuerca hacia la derecha.
5. Gire manualmente la boquilla para asegurarse de que esté bien enganchada.

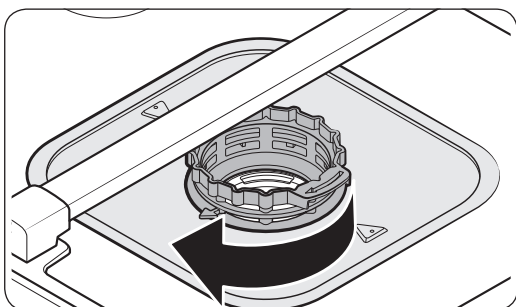
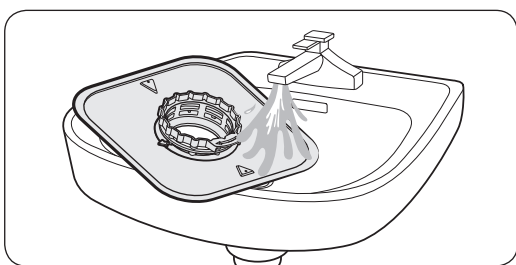
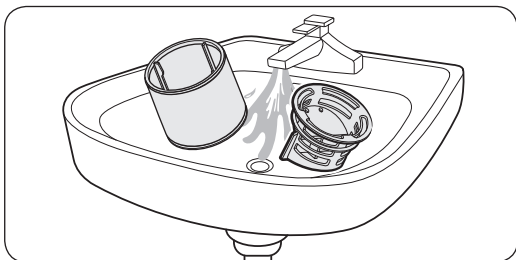
Filtro

Recomendamos limpiar el filtro de forma mensual.



1. Abra la puerta y, luego, retire el estante inferior en primer lugar.
2. Gire la manija del filtro hacia la izquierda para destrabar la cubierta del filtro.
3. Retire la cubierta y, luego, el microfiltro cilíndrico que está debajo.

Cuidado y mantenimiento

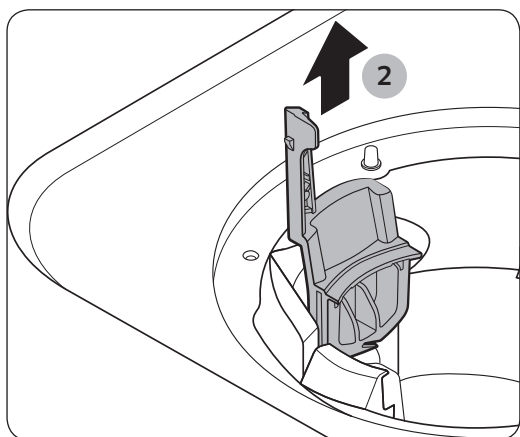
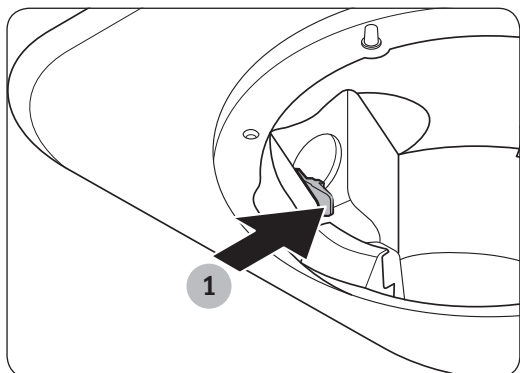


4. Elimine la suciedad y las impurezas del microfiltro y la cubierta del filtro.
5. Enjuague con agua corriente y, luego, seque bien.
6. Vuelva a insertar el filtro y, luego, la cubierta.
7. Gire la manija del filtro hacia la derecha para bloquearlo.

PRECAUCIÓN

Asegúrese de que la cubierta del filtro esté bien cerrada. Una cubierta suelta puede reducir el rendimiento del filtrado.

Bomba de drenaje



Si la lavavajillas no drena porque la bomba de drenaje está obstruida con objetos extraños o produce un ruido anormal, deberá desatascar y limpiar la bomba como se indica a continuación.

1. Retire el estante inferior.
2. Consulte la sección **Filtro** para retirar el microfiltro cilíndrico. A continuación, elimine la humedad del filtro con una esponja.
3. Retire la tapa de la bomba de drenaje empujando la manija en la dirección de la flecha (1) y, luego, levantándola (2).
4. Revise el estado del impulsor. Luego, retire las impurezas de la bomba.
5. Vuelva a insertar la tapa de la bomba de drenaje en su lugar y, luego, presione hacia abajo hasta que oiga un clic.

Cuidado a largo plazo

Si no va a utilizar la lavavajillas durante un período de tiempo prolongado, primero drene completamente la unidad y, a continuación, desconecte la manguera de agua. Cierre la válvula de suministro de agua y corte el disyuntor. El agua que queda en las mangueras o en los componentes internos puede dañar la lavavajillas.

Solución de problemas

Verificaciones

Si encuentra un problema con la lavavajillas que deba verificar, consulte primero la tabla a continuación y pruebe las sugerencias.

Síntoma	Causa posible	Acción
La lavavajillas no se inicia.	La puerta no está completamente cerrada.	<ul style="list-style-type: none">• Asegúrese de que la puerta esté trabada y bien cerrada.• Asegúrese de que el estante superior esté correctamente unido con la boquilla del conducto.• Asegúrese de que el estante superior esté correctamente ensamblado.
	No se seleccionó el botón START (INICIO) (Restablecer).	<ul style="list-style-type: none">• Asegúrese de que la puerta esté trabada y bien cerrada. A continuación, presione START (INICIO).
	No se ha seleccionado ningún ciclo.	<ul style="list-style-type: none">• Seleccione un ciclo.
	El cable de alimentación no está conectado.	<ul style="list-style-type: none">• Conecte el cable de alimentación.
	No hay suministro de agua.	<ul style="list-style-type: none">• Asegúrese de que la válvula de suministro de agua esté abierta.
	El panel de control está bloqueado.	<ul style="list-style-type: none">• Desbloquee la función Bloqueo de controles.
La lavavajillas tarda demasiado en comenzar a funcionar.	La lavavajillas está conectada al suministro de agua fría.	<ul style="list-style-type: none">• Para funcionar con eficacia, la lavavajillas debe estar conectada a un suministro de agua caliente. Si está conectada a un suministro de agua fría, se requiere más tiempo para calentar el agua.

Síntoma	Causa posible	Acción
La lavavajillas tiene malos olores.	Queda agua del ciclo anterior.	<ul style="list-style-type: none"> Con la lavavajillas vacía, agregue detergente y, luego, ejecute el ciclo Normal para limpiar la lavavajillas.
	La manguera de drenaje está obstruida.	<ul style="list-style-type: none"> Comuníquese con un técnico de servicio calificado para eliminar cualquier obstrucción de la manguera de drenaje.
	No se usa la lavavajillas a diario o se deja vajilla sucia en la unidad demasiado tiempo.	<ul style="list-style-type: none"> Con la lavavajillas vacía y sin detergente, coloque un vaso con 8 onzas de vinagre en posición vertical en el estante inferior y, luego, ejecute el ciclo Normal.
Queda agua en la lavavajillas después de haber finalizado un ciclo.	La manguera de drenaje está doblada u obstruida.	<ul style="list-style-type: none"> Enderece y desobstruya la manguera.

Solución de problemas

Síntoma	Causa posible	Acción
Quedan alimentos en los platos.	Se seleccionó un ciclo incorrecto.	<ul style="list-style-type: none"> • Seleccione un ciclo según el nivel de suciedad de los platos como se indica en este manual.
	Los filtros o las boquillas están obstruidos o no están ajustados correctamente.	<ul style="list-style-type: none"> • Limpie los filtros o las boquillas. Asegúrese de que los filtros estén bien ajustados. Consulte la sección Limpieza en la página 35.
	No se utilizó detergente o no se utilizó la cantidad suficiente.	<ul style="list-style-type: none"> • Utilice la cantidad adecuada de detergente para cada carga. Recomendamos un detergente en polvo o en gel.
	La presión de agua es baja.	<ul style="list-style-type: none"> • Asegúrese de que la presión esté entre 20 psi y 120 psi (140-830 kPa).
	La temperatura del agua es baja.	<ul style="list-style-type: none"> • Conecte la tubería de suministro de agua a la llave del agua caliente. Para obtener el mejor rendimiento, la temperatura del agua suministrada debe alcanzar los 120 °F (49 °C).
	Hay una sobrecarga de platos o se cargaron de forma incorrecta.	<ul style="list-style-type: none"> • Acomode la vajilla de manera que no interfiera con las boquillas y/o el dosificador de detergente. Consulte la sección Cómo cargar la vajilla en la página 17.
	El agua es demasiado dura.	<ul style="list-style-type: none"> • Use un limpiador para lavavajillas comercial. • Utilice un detergente fresco, de alta calidad, con producto de enjuague. • Limpie el filtro por lo menos una vez por mes. • Use un aditivo ablandador de agua diseñado para lavavajillas que ofrecen esa opción.

Síntoma	Causa posible	Acción
Los platos no están bien secos.	No hay producto de enjuague en el dosificador o no se utilizó suficiente.	<ul style="list-style-type: none"> Agregue un producto líquido para el enjuague. Verifique la configuración relacionada con el producto de enjuague.
	La temperatura del agua es baja durante el funcionamiento de la lavavajillas.	<ul style="list-style-type: none"> Conecte la tubería de suministro de agua a la fuente del agua caliente. Utilice producto de enjuague con la opción Sanitize (Desinfección).
	Se cargó demasiada vajilla.	<ul style="list-style-type: none"> La carga inadecuada de los artículos puede afectar el rendimiento del secado. Cargue la vajilla según las recomendaciones. Consulte la sección Cómo cargar la vajilla en la página 17.
	Al descargar los vasos y las tazas se derramó agua sobre los platos.	<ul style="list-style-type: none"> Vacíe el estante inferior en primer lugar y, luego, el superior. Esto evitará que el agua del estante superior gotee sobre la vajilla del estante inferior.
	Auto Release™ está desactivado.	<ul style="list-style-type: none"> Active el Secado Auto Release™. Mantenga presionados Lower Rack (Estante inferior) y Hi-Temp Wash (Lavado a alta temperatura) durante 3 segundos para acceder al menú de Auto Release™. Seleccione A1 para activar el Secado Auto Release™.

Solución de problemas

Solución de problemas

Síntoma	Causa posible	Acción
La lavavajillas hace mucho ruido.	La lavavajillas emite un sonido cuando la tapa del dosificador está abierta y la bomba de drenaje acaba de arrancar.	<ul style="list-style-type: none"> • Esto es normal.
	La lavavajillas no está nivelada.	<ul style="list-style-type: none"> • Asegúrese de que la lavavajillas esté nivelada.
	Hay materiales extraños (tornillos, piezas de plástico) en la cámara de la bomba.	<ul style="list-style-type: none"> • Comuníquese con un técnico de servicio calificado para eliminar cualquier material extraño de la cámara de la bomba.
	La boquilla choca contra los platos, lo que produce un ruido de golpeteo.	<ul style="list-style-type: none"> • Reacomode la vajilla.
Deja los vasos con una ligera película.	<ul style="list-style-type: none"> • El agua suministrada es blanda y se ha usado demasiado detergente. • La carga incluye artículos de aluminio. 	<ul style="list-style-type: none"> • Disminuya la carga de la lavavajillas y utilice un producto de enjuague para reducir la cantidad de detergente. • Elimine las marcas de la vajilla con un limpiador de baja sensibilidad.
Queda una película amarilla o marrón sobre la vajilla.	El café y el té dejan manchas.	<ul style="list-style-type: none"> • Elimine esta suciedad con un quitamanchas.
La boquilla no gira fácilmente.	La boquilla está obstruida con partículas de comida.	<ul style="list-style-type: none"> • Limpie la boquilla. Consulte la sección Limpieza en la página 35.
	Un plato o una olla bloquean la boquilla y esta no puede girar.	<ul style="list-style-type: none"> • Después de colocar los platos en los estantes, gire la boquilla de forma manual para verificar si alguno de los platos interfiere con ella.
No se vacía el agua de la lavavajillas.	El sistema de drenaje está obstruido.	<ul style="list-style-type: none"> • Para limpiar la bomba de drenaje, retire la tapa de la bomba. Consulte la sección Bomba de drenaje en la página 39.
El estante superior queda doblado después de cargar la vajilla.	Se cargó incorrectamente la vajilla.	<ul style="list-style-type: none"> • Acomode la vajilla según las recomendaciones. Consulte la sección Cómo cargar la vajilla en la página 17.

Códigos de información

Si la lavavajillas no funciona, es posible que aparezca un código de información en la pantalla. Consulte la tabla a continuación y pruebe las sugerencias.

Código	Acción
LC	Verificación de fugas <ul style="list-style-type: none">Cierre la válvula de suministro de agua. Vaya al panel del disyuntor de su casa y apague el interruptor de la lavavajillas. A continuación, comuníquese con el instalador para que realice la reparación. Si el problema continúa, comuníquese con un centro de atención al cliente local de Dacor.
4C	Verificación del suministro de agua <ul style="list-style-type: none">Verifique si la válvula de suministro de agua está cerrada, si se ha suspendido el suministro de agua o si el conducto o la válvula de entrada de agua están congelados u obstruidos con partículas extrañas. Si el problema continúa, comuníquese con un centro de atención al cliente local de Dacor.
5C	Verificación del drenaje <ul style="list-style-type: none">Cierre la válvula de suministro de agua. Verifique si la manguera de drenaje está obstruida o doblada. Verifique si el orificio de drenaje dentro de la bomba está obstruido. Si el problema continúa, comuníquese con un centro de atención al cliente local de Dacor.
HC	Verificación de temperatura alta <ul style="list-style-type: none">Verificación del funcionamiento Con la lavavajillas vacía, agregue detergente y, luego, ejecute un ciclo. Si el problema continúa, vaya al panel del disyuntor de su casa y apague el interruptor de la lavavajillas. A continuación, comuníquese con un centro de atención al cliente local de Dacor.
3C	Verificación del funcionamiento de la bomba <ul style="list-style-type: none">Verificación del funcionamiento Apague la lavavajillas y vuelva a encenderla. Si el problema continúa, comuníquese con un centro de atención al cliente local de Dacor.
PC	Verificación del funcionamiento del lavado de zona <ul style="list-style-type: none">Verificación del funcionamiento Apague la lavavajillas e intente volver a encenderla. Si el problema continúa, comuníquese con un centro de atención al cliente local de Dacor.
AP	Conexión con un teléfono inteligente. <ul style="list-style-type: none">Cuando el panel de control muestre 'AP', mantenga presionado iQ Control (Control iQ) en el panel de control para conectar la lavavajillas con el teléfono inteligente.

Si alguno de los códigos de información continúa apareciendo en la pantalla, comuníquese con un centro de atención al cliente de Dacor.

Teléfono: (800) 793-0093 (EE. UU. y Canadá)

Servicio: Lunes a viernes de 6:00 a.m. a 5:00 p.m. Hora del Pacífico

Tabla de ciclos

Ciclo	Prelavado 1	Prelavado 2	Prelavado 3	Lavado principal	Enjuague 1	Enjuague 2	Enjuague 3
Auto (Automático)	●	●	●	● 122-140 °F (50-60 °C)	●	○	
Normal	●	○	○	● 113-143 °F (45-62 °C)	●	○	
Heavy (Muy sucio)	●	●	●	● 149 °F (65 °C)	●	●	●
Delicate (Vajilla delicada)	●			● 122 °F (50 °C)	●	●	
Express 60 (Rápido 60)				● 122 °F (50 °C)	●		
Rinse Only (Solo enjuague)					● 104 °F (40 °C)		

Ciclo	Último enjuague (Desinfección)	Secado	Agua [gal(L)]
Auto (Automático)	● 136-154 °F (58-68 °C) 163 °F (73 °C)	●	4.8-6.0 (18.0-22.8 L)
Normal	● 131-149 °F (55-65 °C) 163 °F (73 °C)	●	2.5-5.8 (9.5-22.1 L)
Heavy (Muy sucio)	● 154 °F (68 °C) 163 °F (73 °C)	●	7.5 (28.3 L)
Delicate (Vajilla delicada)	● 149 °F (65 °C)	●	4.5 (17.0 L)
Express 60 (Rápido 60)	● 140 °F (60 °C) 163 °F (73 °C)	●	2.9 (11.1 L)
Rinse Only (Solo enjuague)			1.1 (4.1 L)

- Las temperaturas (°F y °C) que se encuentran en la columna Último enjuague representan la temperatura del agua cuando está seleccionada la opción **Sanitize (Desinfección)**.
- Al seleccionar el ciclo **Auto (Automático)** o **Normal**, se pueden eliminar los pasos opcionales según el nivel de suciedad de la vajilla.
- El consumo de agua y el tiempo del ciclo dependen de los pasos o las opciones que agregue, y de la presión y la temperatura del agua suministrada.
- Cuando no se agrega producto de enjuague, el tiempo del ciclo y la temperatura del último enjuague pueden aumentar ligeramente.

Apéndice

Ayuda al medio ambiente

- Esta lavavajillas se fabrica con materiales reciclables. Si decide deshacerse de ella, siga la normativa local relacionada con la eliminación de desechos. Corte el cable de alimentación para que el electrodoméstico no pueda conectarse a una fuente de alimentación.
- Quite la puerta para que los animales y los niños pequeños no puedan quedar atrapados dentro del electrodoméstico.
- No utilice cantidades de detergente superiores a las recomendadas por el fabricante del detergente.

Especificaciones

MODELO	DDW24M999UM / DDW24M999US / DDW24T998US / DDW24T999BB (Lavavajillas integrada)
Alimentación	120 V / 60 Hz CA solamente, disyuntor de 15 A
Presión de agua	20-120 psi (140-830 kPa)
Capacidad de lavado	14 puestos
Potencia nominal	Motor de lavado: 60-100 W Calentador: 1100 W
Dimensión (Ancho x Profundidad x Altura)	DDW24M999UM / DDW24M999US / DDW24T998US : 23½" X 22 ¹³ / ₁₆ " X 32¼" (598 X 580 X 820 mm) DDW24T999BB : 23½" X 21 ⁷ / ₈ " X 32¼" (598 X 555 X 820 mm)
Peso (Sin empaque)	DDW24M999UM / DDW24M999US / DDW24T998US : 101 lb (46 kg) DDW24T999BB : 99 lb (45 kg)

Garantía y servicio

Obtener ayuda

Antes de solicitar servicio:

1. Consulte la sección **Solución de problemas** de este manual (páginas 40-45).
2. Utilice los consejos útiles que se encuentran en **Solución de problemas**.
3. Familiarícese con los términos y las condiciones de la garantía de su producto.
4. Si ninguno de estos consejos o sugerencias resuelve su problema, llame a nuestro centro de atención al cliente al número que aparece a continuación.

El centro de atención al cliente de Dacor está disponible de 6:00 a.m. a 5:00 p.m. Hora del Pacífico.

Para hacer preguntas o solicitar reparaciones en garantía y para obtener el servicio Dacor Distinctive Service (DDS) en Estados Unidos y Canadá

Teléfono: (800) 793-0093, extensión 2822

Para hacer preguntas o solicitar reparaciones fuera de garantía en Estados Unidos y Canadá

Teléfono: (800) 793-0093, extensión 2813

Contáctenos a través de nuestro sitio web en:

www.dacor.com/contact-us

Garantía

Con cobertura

CERTIFICADO DE GARANTÍAS: LAVAVAJILLAS DACOR

EN LOS CINCUENTA ESTADOS DE LOS ESTADOS UNIDOS DE AMÉRICA, EL DISTRITO DE COLUMBIA Y CANADÁ:

GARANTÍA COMPLETA DE UN AÑO

La garantía se aplica solamente al electrodoméstico Dacor vendido al primer usuario comprador, a partir de la fecha de compra minorista original o la fecha de cierre para nuevas construcciones, el período que sea más largo. La garantía es válida para los productos adquiridos nuevos desde un distribuidor autorizado de Dacor u otro vendedor autorizado por Dacor.

Si su producto Dacor no funciona dentro de un año de la fecha de compra original debido a un defecto en el material o la mano de obra, Dacor lo reparará sin cargo para usted.

Todos los daños estéticos (como rayaduras en el acero inoxidable, manchas en la pintura/porcelana, etc.) del producto o los accesorios incluidos deben ser reportados a Dacor dentro de los 60 días de la fecha de compra original a fin de calificar para la cobertura de la garantía.

Las piezas consumibles tales como filtros y bombillas no están cubiertas y son responsabilidad del comprador.

GARANTÍA DE VEINTICINCO AÑOS

Sobre la oxidación del tanque de acero inoxidable y la puerta.

LIMITACIONES DE COBERTURA

El servicio será proporcionado por una compañía de servicio designada por Dacor durante el horario comercial regular. Tenga en cuenta que los proveedores de servicios son entidades independientes y no son agentes de Dacor.

Los productos con fecha de producción superior a 5 años exhibidos por los distribuidores y en modelos de casas, los productos vendidos "Tal cual" y los productos instalados para uso no residencial, entre los que se incluyen sin limitación las organizaciones religiosas, estaciones de bomberos, alojamientos y spas, cuentan con una garantía de un año para las piezas solamente. Todos los costos de entrega, instalación, mano de obra y otros gastos de servicio son responsabilidad del comprador.

La garantía será nula para los productos que tengan etiquetas y números de serie alterados, defectuosos o que falten.

El propietario debe proporcionar una prueba de compra o una declaración de cierre para las nuevas construcciones cuando se lo soliciten. Se debe poder acceder a todos los productos de Dacor para el servicio. La garantía se anula y queda sin efecto si se transportan productos no aprobados por ETL, CUL o CSA desde EE. UU.

FUERA DE LOS CINCUENTA ESTADOS DE LOS ESTADOS UNIDOS DE AMÉRICA, EL DISTRITO DE COLUMBIA Y CANADÁ: GARANTÍA LIMITADA DEL PRIMER AÑO

GARANTÍA LIMITADA DEL PRIMER AÑO

Si su producto Dacor no funciona dentro de un año de la fecha de compra original debido a un defecto en el material o la mano de obra, Dacor suministrará una pieza nueva, F.O.B. (libre a bordo) a la fábrica para reemplazar la pieza defectuosa.

Todos los costos de entrega, instalación, mano de obra y otros gastos de servicio son responsabilidad del comprador.

Garantía y servicio

Sin cobertura

- Se pueden observar ligeras variaciones del color debido a diferencias en las piezas pintadas, la iluminación de la cocina, la ubicación del producto y otros factores; esta garantía no se aplica a las variaciones del color.
- Llamadas de servicio para educar al cliente sobre el uso y cuidado adecuado del producto.
- Tarifas de servicio para viajar a islas y áreas remotas, que incluyen pero no se limitan a transbordadores, autopistas con peaje u otros gastos de viaje.
- Daño consecuente o incidental, que incluye pero no se limita a la pérdida de alimentos o medicamentos, tiempo fuera del trabajo o comidas en restaurantes.
- Falla del producto cuando se emplea para uso comercial, empresarial, de alquiler o cualquier otra aplicación que no sea para uso residencial del consumidor.
- Falla del producto causada por su instalación incorrecta.
- Sustitución de fusibles del hogar, cajas de fusibles o restablecimiento de disyuntores.
- Daños al producto causados por accidentes, incendios, inundaciones, cortes de energía, sobrecargas de energía u otras causas de fuerza mayor.
- Responsabilidad por daños a la propiedad circundante incluyendo gabinetes, pisos, techos y otras estructuras u objetos alrededor del producto.
- Rotura, decoloración o daños a vidrios, superficies metálicas, componentes plásticos, molduras, pinturas u otros acabados cosméticos causados por uso o cuidado inadecuado, abuso o negligencia.

Fuera de garantía

Si experimenta un problema de servicio más allá del período de garantía estándar, póngase en contacto con nosotros. Dacor revisa cada problema y preocupación del cliente a fin de proporcionar la mejor solución posible en función de las circunstancias.

LOS RECURSOS PROPORCIONADOS EN LAS GARANTÍAS EXPRESAS ANTERIORES SON RECURSOS ÚNICOS Y EXCLUSIVOS. POR LO TANTO, NO SE HACEN OTRAS GARANTÍAS EXPRESAS, Y FUERA DE LOS CINCUENTA ESTADOS DE LOS ESTADOS UNIDOS, EL DISTRITO DE COLUMBIA Y CANADÁ, TODAS LAS GARANTÍAS IMPLÍCITAS, INCLUYENDO PERO SIN LIMITARSE A CUALQUIER GARANTÍA IMPLÍCITA DE COMERCIABILIDAD O ADECUACIÓN PARA UN USO O PROPÓSITO PARTICULAR, ESTÁN LIMITADAS EN DURACIÓN A UN AÑO DESDE LA FECHA DE COMPRA ORIGINAL. EN NINGÚN CASO DACOR SERÁ RESPONSABLE POR GASTOS INCIDENTALES O DAÑOS CONSECUENTES. EN EL CASO DE QUE DACOR PREVALEZCA EN CUALQUIER LITIGIO, DACOR TENDRÁ DERECHO AL REEMBOLSO DE TODOS LOS GASTOS Y COSTOS, INCLUYENDO LOS HONORARIOS DEL ABOGADO, DEL CLIENTE DE DACOR. NO SE HACE NINGUNA GARANTÍA, EXPRESA O IMPLÍCITA, A NINGÚN COMPRADOR POR REVENTA.

Algunos estados no permiten limitaciones en cuanto al plazo de una garantía implícita, o no permiten la exclusión o limitación de daños no consecuentes; por lo tanto, las limitaciones o exclusiones antedichas pueden no aplicarse en su caso. Esta garantía le otorga derechos legales específicos, y además podría tener otros derechos que varían según el estado.



Please visit www.Dacor.com to activate your warranty online.

WARRANTY INFORMATION



IMPORTANT:

Your warranty will not begin until you activate it online or return this form to Dacor. If you have purchased more than one Dacor product, please return all forms in one envelope, or activate the warranty for each product online.

Please rest assured that under no conditions will Dacor sell your name or any of the information on this form for mailing list purposes. We are very grateful that you have chosen Dacor products for your home and we do not consider the sale of such information to be a proper way of expressing our gratitude!

Owner's Name: _____
Last (Please Print or Type) First Middle

Street: _____

City: _____ State: _____ Zip: _____

Purchase Date: _____ Email: _____ Telephone: _____

Dealer: _____

City: _____ State: _____ Zip: _____

Your willingness to take a few seconds to fill in the section below will be sincerely appreciated. Thank you.

1. How were you **first** exposed to Dacor products? (Please check one only.)

- A. T.V. Cooking Show
- B. Magazine
- C. Appliance Dealer Showroom
- D. Kitchen Dealer Showroom
- E. Home Show
- F. Builder
- G. Architect/Designer
- H. Another Dacor Owner
- I. Model Home
- J. Other _____

2. Where did you buy your Dacor appliances?

- A. Appliance Dealer
- B. Kitchen Dealer
- C. Builder Supplier
- D. Builder
- E. Other _____

3. For what purpose was the product purchased?

- A. Replacement **only**
- B. Part of a Remodel
- C. New Home
- D. Other _____

4. What is your household income?

- A. Under \$75,000
- B. \$75,000 - \$100,000
- C. \$100,000 - \$150,000
- D. \$150,000 - \$200,000
- E. \$200,000 - \$250,000
- F. Over \$250,000

5. What are the brands of appliances that you have in your kitchen?

- A. Cooktop _____
- B. Oven _____
- C. Dishwasher _____
- D. Refrigerator _____

6. Would you buy or recommend another Dacor product?

- Yes
- No

Comments: _____

Thank you very much for your assistance. The information you have provided will be extremely valuable in helping us plan for the future and giving you the support you deserve.



Website: www.Dacor.com

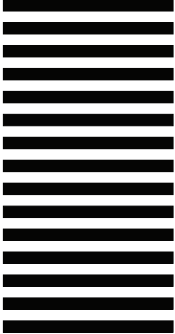
Corporate phone: (800) 793-0093

cut here

cut here



NO POSTAGE
NECESSARY
IF MAILED
IN THE
UNITED STATES



BUSINESS REPLY MAIL
FIRST-CLASS MAIL PERMIT NO 1600 CITY OF INDUSTRY CA

POSTAGE WILL BE PAID BY ADDRESSEE

DACOR
ATTN: WARRANTY PROCESSING DEPT
PO BOX 90070
CITY OF INDUSTRY, CA 91715-9907



fold here



DD68-00196A-00



Dacor • 14425 Clark Avenue, City of Industry, CA 91745 • Teléfono: (800) 793-0093 • Fax: (626) 403-3130 • www.dacor.com