



Classic Series Triple Flush Inset Installation *Installation Guide*

SPECIFICATIONS, INSTALLATION,
AND MORE



Contents

- 2 Classic Series Triple Flush Inset Installation
- 3 Flush Inset Design
- 3 Installation Requirements
- 4 Electrical Requirements
- 4 Plumbing Requirements
- 5 Triple Flush Inset Installation
- 6 Flush Inset Panel Dimensions
- 8 Flush Inset Panel Offset
- 9 Full-Scale Templates

Features and specifications are subject to change at any time without notice. Visit subzero.com/specs for the most up-to-date information.

Important Note

To ensure this product is installed and operated as safely and efficiently as possible, take note of the following types of highlighted information throughout this guide:

IMPORTANT NOTE highlights information that is especially important.

⚠ CAUTION

Indicates a situation where minor injury or product damage may occur if instructions are not followed.

⚠ WARNING

States a hazard that may cause serious injury or death if precautions are not followed.

IMPORTANT NOTE: Throughout this guide, dimensions in parentheses are millimeters unless otherwise specified.

Flush Inset Design

The flush inset design allows for flush door and grille panels and custom handle hardware. The flush inset application is an overlay model with flush inset panels. Customize with panel, grille, and handle options.

Panels: Custom panels or stainless steel.

Grille: Solid custom panel or pro louvered grille for 84" overall unit height.

Handles: Custom, tubular, or pro handles.

Installation Requirements

- Requires single flush inset panels.
- Panels can be custom or stainless steel accessories.
- Requires separate grilles and kickplates for each unit.



Flush inset

Classic Series Triple Flush Inset Installation

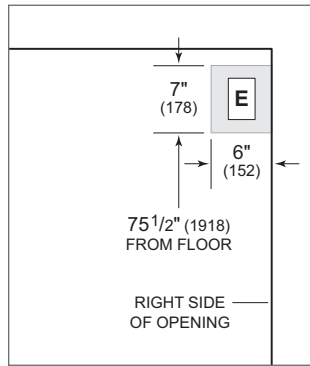
Electrical Requirements

Locate the electrical supply within the shaded area shown in the illustration below. A separate circuit servicing only this appliance is required. A ground fault circuit interrupter (GFCI) is not recommended and may cause interruption of operation.

Installation must comply with all applicable electrical codes.

ELECTRICAL REQUIREMENTS

Electrical Supply	115 VAC, 60 Hz
Service	15 amp dedicated circuit
Receptacle	3-prong grounding-type



Electrical supply location

Plumbing Requirements

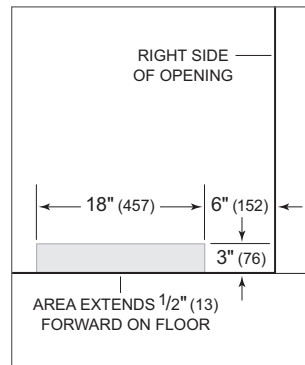
Locate the water supply line within the shaded area shown in the illustration below. The water supply line should be connected to the house supply with an easily accessible shut-off valve. Do not use self-piercing valves. The water supply line must not interfere with the installation of the anti-tip brackets.

A reverse osmosis system can be used provided there is constant water pressure of 35–120 psi (2.4–8.3 bar) supplied to the unit at all times. A copper line is not recommended for this application.

Installation must comply with all applicable plumbing codes.

PLUMBING REQUIREMENTS

Water Supply	1/4" OD copper, braided stainless steel, or PEX tubing
Pressure	35–120 psi (2.4–8.3 bar)
Excess Line for Connection	36" (914)

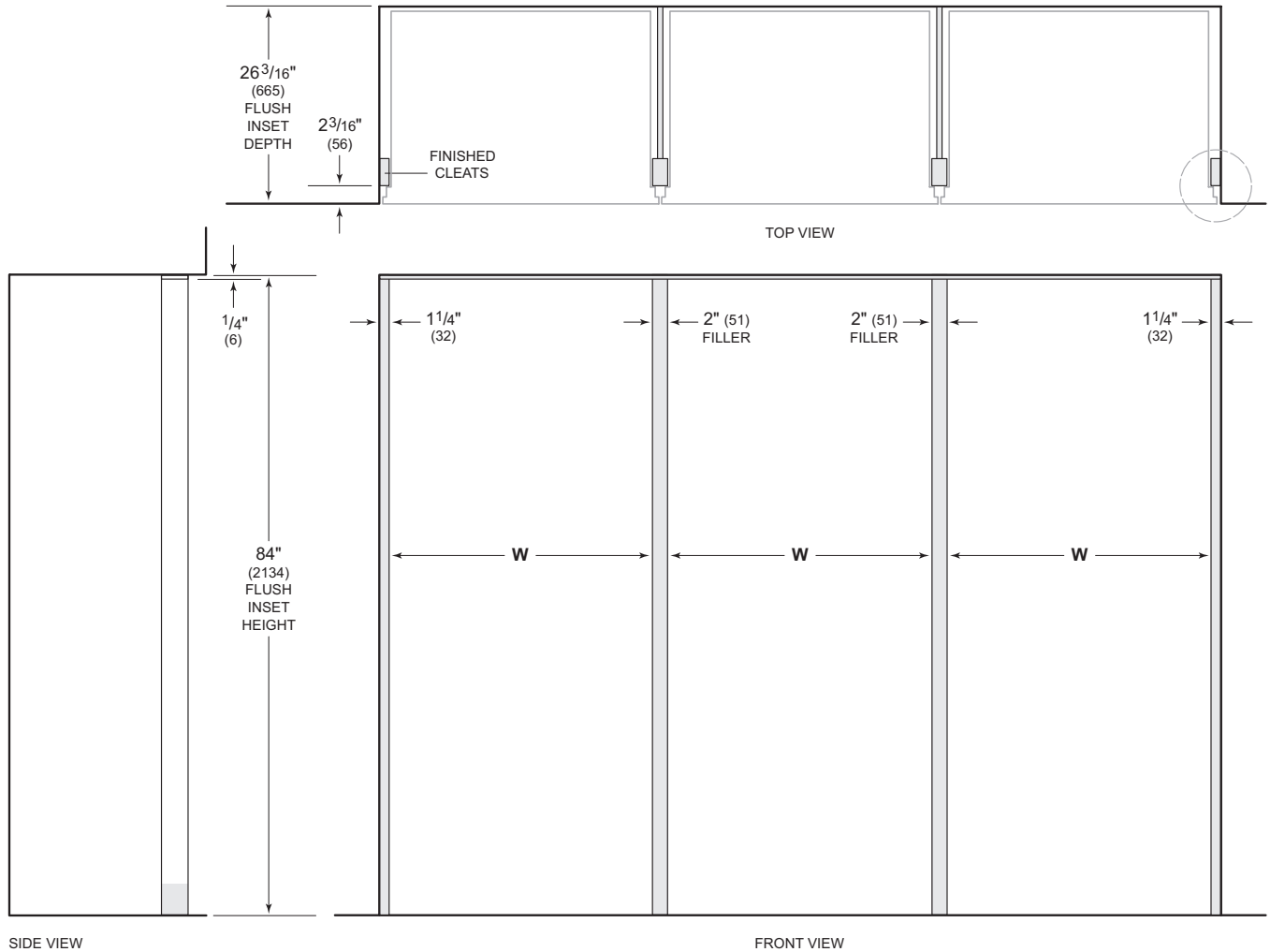


Water supply location

Classic Series Triple Flush Inset Installation

Triple Flush Inset Installation

OPENING DIMENSIONS

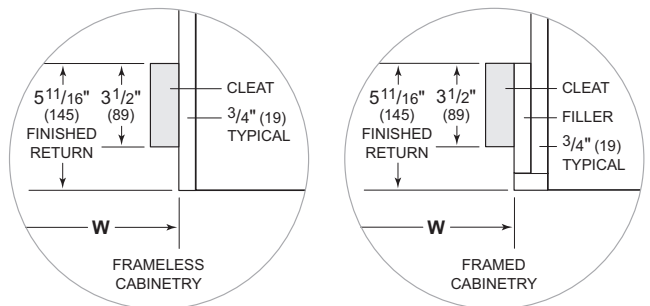


NOTE: 3 1/2" (89) finished returns and shaded areas will be visible and should be finished to match cabinetry. Shaded line represents profile of unit with 3/4" (19) panel.

OPENING WIDTH

W

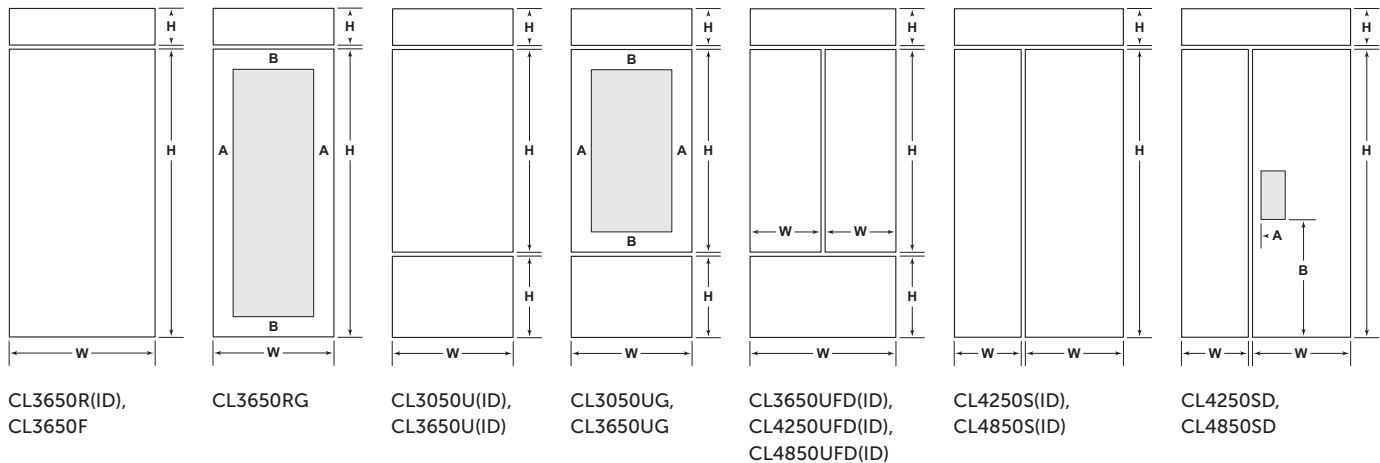
30" Model	29 1/2" (749)
36" Model	35 1/2" (902)
42" Model	41 1/2" (1054)
48" Model	47 1/2" (1207)



Flush inset is available for overlay models only. Dimensions assume a 3/4" (19) panel thickness.

Classic Series Triple Flush Inset Installation

Flush Inset Panel Dimensions



MODEL CL3650R(ID), CL3650RG, CL3650F

REFRIGERATOR / FREEZER	W	H
Flush Inset Panel	37" (940)	71 ¹ / ₄ " (1810)
Spacer Panel	35 ¹ / ₈ " (892)	70 ⁷ / ₁₆ " (1789)
Backer Panel	35 ³ / ₄ " (908)	71 ¹ / ₁₆ " (1805)

GRILLE	W	H
Flush Inset Panel	37" (940)	7 ³ / ₄ " (197)
Spacer Panel	35 ¹ / ₈ " (892)	6 ¹³ / ₁₆ " (173)
Backer Panel	35 ³ / ₄ " (908)	7 ⁷ / ₁₆ " (189)

CL3650RG	A	B
Stiles / Rails	5 ³ / ₄ " (146)	5 ¹ / ₄ " (133)

MODEL CL3050U(ID), CL3050UG

REFRIGERATOR	W	H
Flush Inset Panel	31" (787)	50 ⁵ / ₈ " (1286)
Spacer Panel	29 ¹ / ₈ " (740)	49 ¹³ / ₁₆ " (1265)
Backer Panel	29 ³ / ₄ " (756)	50 ⁷ / ₁₆ " (1281)

FREEZER	W	H
Flush Inset Panel	31" (787)	20" (508)
Spacer Panel	29 ¹ / ₈ " (740)	19 ¹ / ₁₆ " (484)
Backer Panel	29 ³ / ₄ " (756)	19 ¹¹ / ₁₆ " (500)

GRILLE	W	H
Flush Inset Panel	31" (787)	7 ³ / ₄ " (197)
Spacer Panel	29 ¹ / ₈ " (740)	6 ¹³ / ₁₆ " (173)
Backer Panel	29 ³ / ₄ " (756)	7 ⁷ / ₁₆ " (189)

CL3050UG	A	B
Stiles / Rails	5 ³ / ₄ " (146)	5 ¹ / ₄ " (133)

MODEL CL3650U(ID), CL3650UG

REFRIGERATOR	W	H
Flush Inset Panel	37" (940)	50 ⁵ / ₈ " (1286)
Spacer Panel	35 ¹ / ₈ " (892)	49 ¹³ / ₁₆ " (1265)
Backer Panel	35 ³ / ₄ " (908)	50 ⁷ / ₁₆ " (1281)

FREEZER	W	H
Flush Inset Panel	37" (940)	20" (508)
Spacer Panel	35 ¹ / ₈ " (892)	19 ¹ / ₁₆ " (484)
Backer Panel	35 ³ / ₄ " (908)	19 ¹¹ / ₁₆ " (500)

GRILLE	W	H
Flush Inset Panel	37" (940)	7 ³ / ₄ " (197)
Spacer Panel	35 ¹ / ₈ " (892)	6 ¹³ / ₁₆ " (173)
Backer Panel	35 ³ / ₄ " (908)	7 ⁷ / ₁₆ " (189)

CL3650UG	A	B
Stiles / Rails	5 ³ / ₄ " (146)	5 ¹ / ₄ " (133)

Classic Series Triple Flush Inset Installation

Flush Inset Panel Dimensions

MODEL CL3650UFD(ID)

REFRIGERATOR (2 PANELS)	W	H
Flush Inset Panel	18 ³ / ₈ " (467)	50 ⁵ / ₈ " (1286)
Spacer Panel	17" (432)	49 ¹³ / ₁₆ " (1265)
Backer Panel	17 ⁵ / ₈ " (448)	50 ⁷ / ₁₆ " (1281)

FREEZER	W	H
Flush Inset Panel	37" (940)	20" (508)
Spacer Panel	35 ¹ / ₈ " (892)	19 ¹ / ₁₆ " (484)
Backer Panel	35 ³ / ₄ " (908)	19 ¹ / ₁₆ " (500)

GRILLE	W	H
Flush Inset Panel	37" (940)	7 ³ / ₄ " (197)
Spacer Panel	35 ¹ / ₈ " (892)	6 ¹³ / ₁₆ " (173)
Backer Panel	35 ³ / ₄ " (908)	7 ⁷ / ₁₆ " (189)

MODEL CL4250UFD(ID)

REFRIGERATOR (2 PANELS)	W	H
Flush Inset Panel	21 ³ / ₈ " (543)	50 ⁵ / ₈ " (1286)
Spacer Panel	20" (508)	49 ¹³ / ₁₆ " (1265)
Backer Panel	20 ⁵ / ₈ " (524)	50 ⁷ / ₁₆ " (1281)

FREEZER	W	H
Flush Inset Panel	43" (1092)	20" (508)
Spacer Panel	41 ¹ / ₈ " (1045)	19 ¹ / ₁₆ " (484)
Backer Panel	41 ³ / ₄ " (1060)	19 ¹ / ₁₆ " (500)

GRILLE	W	H
Flush Inset Panel	43" (1092)	7 ³ / ₄ " (197)
Spacer Panel	41 ¹ / ₈ " (1045)	6 ¹³ / ₁₆ " (173)
Backer Panel	41 ³ / ₄ " (1060)	7 ⁷ / ₁₆ " (189)

MODEL CL4850UFD(ID)

REFRIGERATOR (2 PANELS)	W	H
Flush Inset Panel	24 ³ / ₈ " (619)	50 ⁵ / ₈ " (1286)
Spacer Panel	23" (584)	49 ¹³ / ₁₆ " (1265)
Backer Panel	23 ⁵ / ₈ " (600)	50 ⁷ / ₁₆ " (1281)

FREEZER	W	H
Flush Inset Panel	49" (1245)	20" (508)
Spacer Panel	47 ¹ / ₈ " (1197)	19 ¹ / ₁₆ " (484)
Backer Panel	47 ³ / ₄ " (1213)	19 ¹ / ₁₆ " (500)

GRILLE	W	H
Flush Inset Panel	49" (1245)	7 ³ / ₄ " (197)
Spacer Panel	47 ¹ / ₈ " (1197)	6 ¹³ / ₁₆ " (173)
Backer Panel	47 ³ / ₄ " (1213)	7 ⁷ / ₁₆ " (189)

MODEL CL4250S(ID), CL4250SD

REFRIGERATOR	W	H
Flush Inset Panel	25 ⁹ / ₁₆ " (649)	71 ¹ / ₄ " (1810)
Spacer Panel	24 ³ / ₁₆ " (614)	70 ⁷ / ₁₆ " (1789)
Backer Panel	24 ¹³ / ₁₆ " (630)	71 ¹ / ₁₆ " (1805)

FREEZER	W	H
Flush Inset Panel	17 ³ / ₁₆ " (437)	71 ¹ / ₄ " (1810)
Spacer Panel	15 ¹³ / ₁₆ " (402)	70 ⁷ / ₁₆ " (1789)
Backer Panel	16 ⁷ / ₁₆ " (418)	71 ¹ / ₁₆ " (1805)

GRILLE	W	H
Flush Inset Panel	43" (1092)	7 ³ / ₄ " (197)
Spacer Panel	41 ¹ / ₈ " (1045)	6 ¹³ / ₁₆ " (173)
Backer Panel	41 ³ / ₄ " (1060)	7 ⁷ / ₁₆ " (189)

CL4250SD	W	H
Dispenser Cutout	6 ³ / ₈ " (162)	13" (330)
	A	B
Cutout Location	2 ¹ / ₈ " (54)	32 ³ / ₄ " (832)

MODEL CL4850S(ID), CL4850SD

REFRIGERATOR	W	H
Flush Inset Panel	29 ¹ / ₄ " (743)	71 ¹ / ₄ " (1810)
Spacer Panel	27 ⁷ / ₈ " (708)	70 ⁷ / ₁₆ " (1789)
Backer Panel	28 ¹ / ₂ " (724)	71 ¹ / ₁₆ " (1805)

FREEZER	W	H
Flush Inset Panel	19 ¹ / ₂ " (495)	71 ¹ / ₄ " (1810)
Spacer Panel	18 ¹ / ₈ " (460)	70 ⁷ / ₁₆ " (1789)
Backer Panel	18 ³ / ₄ " (476)	71 ¹ / ₁₆ " (1805)

GRILLE	W	H
Flush Inset Panel	49" (1245)	7 ³ / ₄ " (197)
Spacer Panel	47 ¹ / ₈ " (1197)	6 ¹³ / ₁₆ " (173)
Backer Panel	47 ³ / ₄ " (1213)	7 ⁷ / ₁₆ " (189)

CL4850SD	W	H
Dispenser Cutout	6 ³ / ₈ " (162)	13" (330)
	A	B
Cutout Location	2 ¹ / ₈ " (54)	32 ³ / ₄ " (832)

Flush Inset Panel Offset

The illustrations provide panel offsets and reveals for Classic Series models in a flush inset application. Refer to the chart below for reference to the illustrations.

PANEL OFFSET

ALL REFRIGERATOR / ALL FREEZER

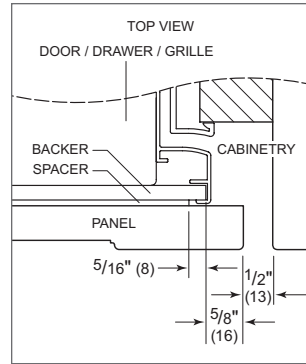
	ILLUS
Door / Grille Sides	A
Grille Top	C
Grille Bottom / Door Top	D
Door Bottom	F

OVER-AND-UNDER

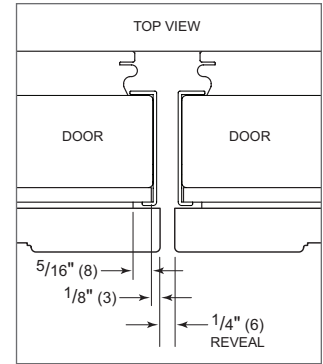
	ILLUS
Door (hinge) / Drawer / Grille Sides	A
Doors (handle) Sides (French door only)	B
Grille Top	C
Grille Bottom / Door Top	D
Door Bottom / Drawer Top	E
Drawer Bottom	F

SIDE-BY-SIDE

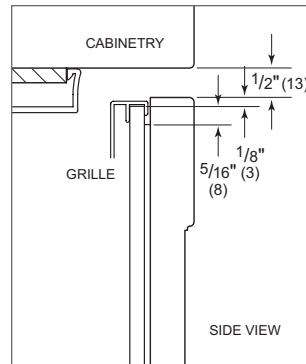
	ILLUS
Doors (hinge) / Grille Sides	A
Doors (handle) Sides	B
Grille Top	C
Grille Bottom / Door Top	D
Door Bottom	F



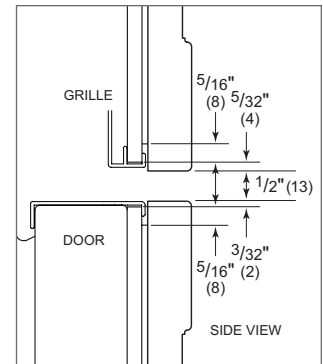
Illus. A



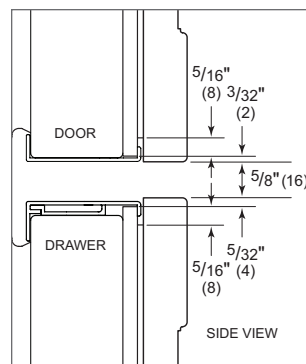
Illus. B



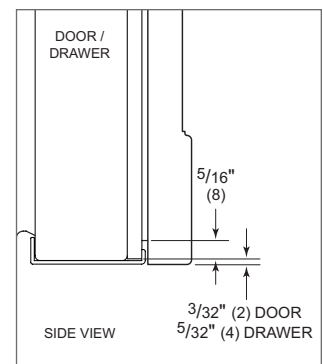
Illus. C



Illus. D



Illus. E



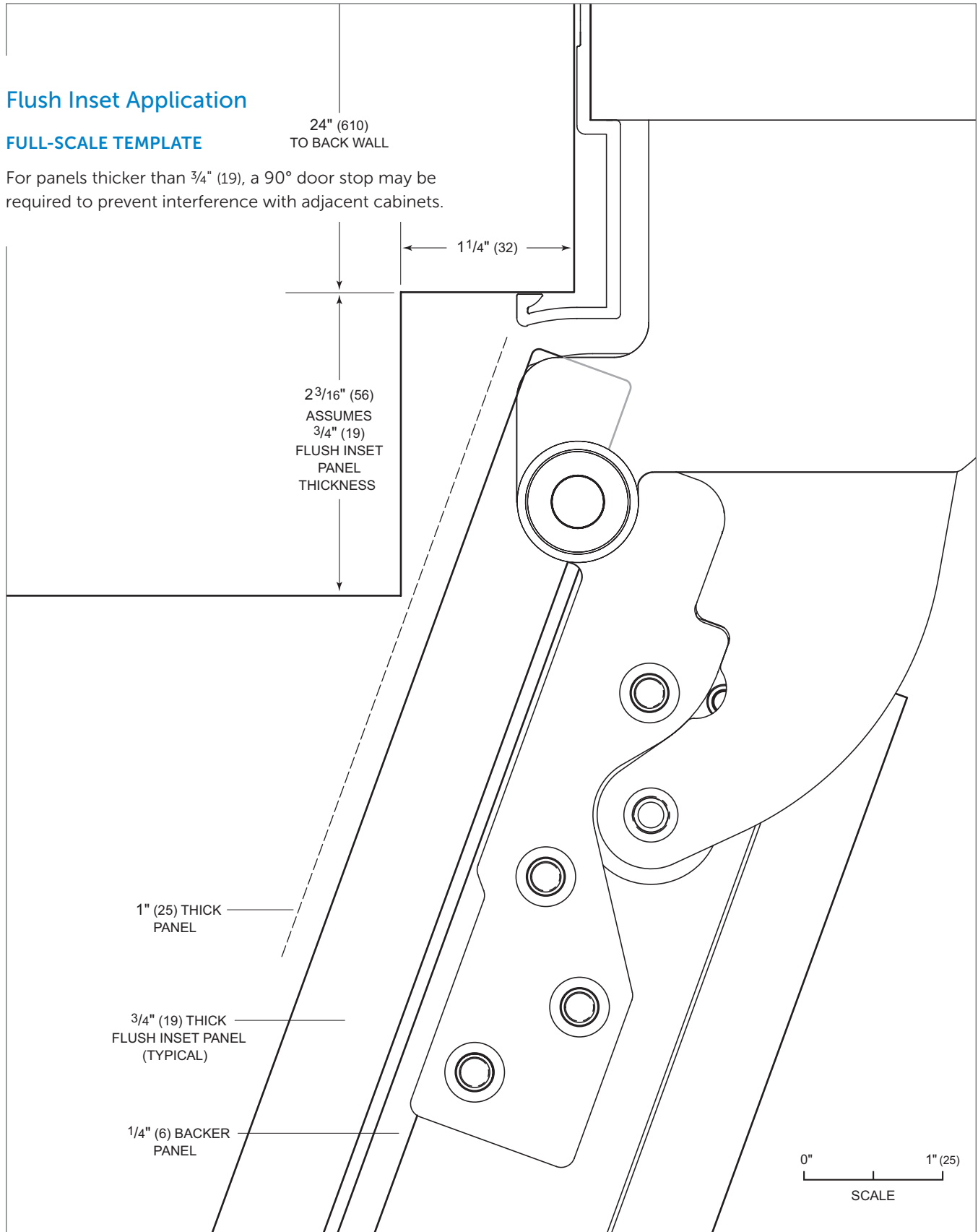
Illus. F

Classic Series Triple Flush Inset Installation

Flush Inset Application

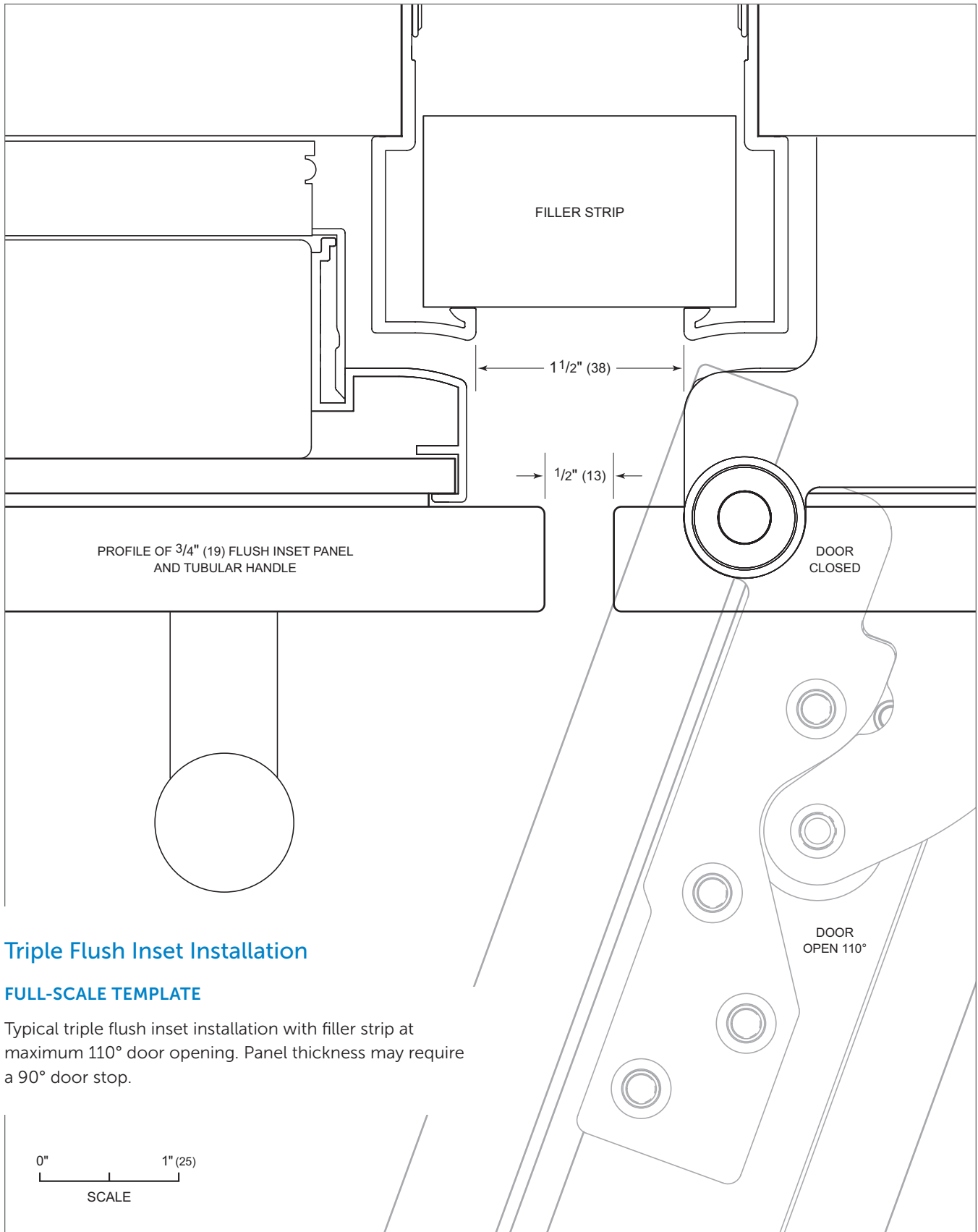
FULL-SCALE TEMPLATE

For panels thicker than 3/4" (19), a 90° door stop may be required to prevent interference with adjacent cabinets.



Top view

Classic Series Triple Flush Inset Installation



Top view

Classic Series Triple Flush Inset Installation

Sub-Zero, Sub-Zero & Design, Sub-Zero & Snowflake Design, Dual Refrigeration, The Living Kitchen, Great American Kitchens The Fine Art of Kitchen Design, Wolf, Wolf & Design, Wolf Gourmet, W & Design, red colored knobs, Cove, and Cove & Design are registered trademarks and service marks of Sub-Zero Group, Inc. and its subsidiaries. All other trademarks are property of their respective owners in the United States and other countries.



SUB-ZERO, INC. P.O. BOX 44848 MADISON, WI 53744 SUBZERO.COM 800.222.7820

10/2022