

---

# BERTAZZONI PROFESSIONAL SERIES

## 48" CANOPY HOOD KU48 PRO 2 X



These powerful canopy hoods have dual motors delivering a combined 1200 CFM of extraction. They match Bertazzoni Professional Series ranges and cooktops while also complementing other Bertazzoni Series. They can be installed under a cabinet or on the wall, with optional medium or wide duct covers. Stainless-steel baffle filters can be easily removed and are dishwasher safe.

### DOUBLE MOTOR CANOPY



Double motor canopy hood shown with optional medium duct cover. Full-size duct cover is also available.



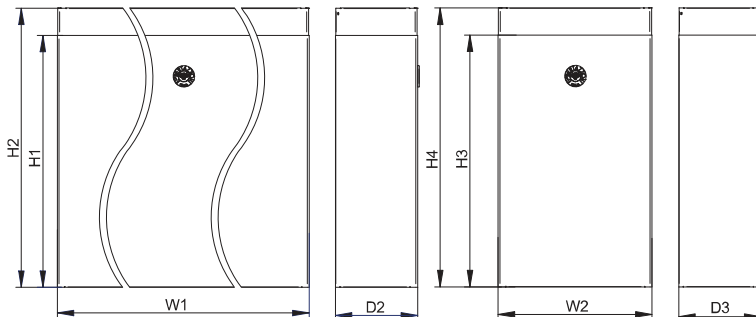
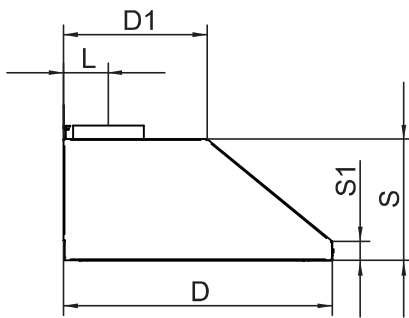
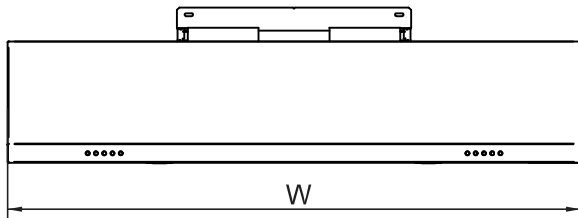
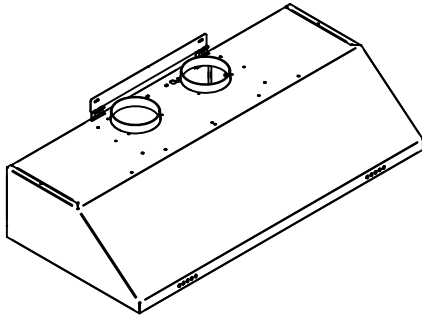
TO COOK BEAUTIFULLY

# BERTAZZONI PROFESSIONAL SERIES

## 48" CANOPY HOOD KU48 PRO 2 X

### FEATURES

<b>Blower</b>	3 speeds
<b>Halogen lights</b>	4
<b>Filters</b>	stainless steel baffle
<b>Blower power</b>	1200 cfm



### TECHNICAL SPECIFICATIONS

<b>Electrical Requirements</b>	120V 60Hz
<b>Max. Amp Usage</b>	6.6 Amp
<b>Certification</b>	CSA
<b>Warranty</b>	2 years parts and labor
<b>Electronic control</b>	2
<b>Product weight</b>	70.5 lbs
<b>Box weight</b>	73.5 lbs

### ACCESSORIES

<b>Medium duct cover - ceiling height 9-12 ft (optional)</b>	code 901263
<b>Full size duct cover - ceiling height 9-12 ft (optional)</b>	code 901261
<b>Air Bracket (optional)</b>	code 901264

This model is not suited for recirculation

### DIMENSIONS

Ref.	Description	Dimensions	
		Inches	mm
<b>D</b>	Hood max depth	22 <sup>7</sup> / <sub>16</sub>	570
<b>D1</b>	Hood min depth	12	305
<b>L</b>	Duct cover depth	3 <sup>3</sup> / <sub>4</sub>	95
<b>S</b>	Max body hood height	10 <sup>1</sup> / <sub>8</sub>	275
<b>S1</b>	Hood control panel height	1 <sup>9</sup> / <sub>16</sub>	40
<b>W</b>	Hood width	47 <sup>13</sup> / <sub>16</sub>	1214
<b>W1</b>	Full size duct cover width	47 <sup>13</sup> / <sub>16</sub>	1214
<b>D2</b>	Full size duct cover depth	11 <sup>13</sup> / <sub>16</sub>	300
<b>H1</b>	Full size duct cover min height	36 <sup>1</sup> / <sub>4</sub>	920
<b>H2</b>	Full size duct cover max height	72 <sup>1</sup> / <sub>2</sub>	1842
<b>W2</b>	Medium duct cover width	22 <sup>1</sup> / <sub>8</sub>	562
<b>D3</b>	Medium duct cover depth	11 <sup>13</sup> / <sub>16</sub>	300
<b>H3</b>	Medium duct cover min height	36 <sup>1</sup> / <sub>4</sub>	920
<b>H4</b>	Medium duct cover max height	72 <sup>1</sup> / <sub>2</sub>	1842

### INSTALLATION INSTRUCTIONS

Bertazzoni recommends to operate the appliance after it has been properly installed. Please refer to the installation manual for further details.