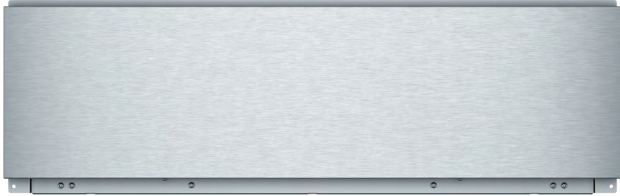


# SD30WC

## 30-INCH STORAGE DRAWER

PUSH TO OPEN



### FEATURES & BENEFITS

- Our storage drawer is the perfect combination of uncompromising performance, unique convenience features and elegant design
- Designed to store your plates, trays, and accessories in the kitchen
- Storage drawer pairs beautifully with the Thermador speed, steam or wall oven
- The rails feature a telescoping ball-bearing design for smooth opening and closing that supports up to a 40 lbs. load
- Matches Thermador Built-in Products. Install either flush or fully overlay.

### GENERAL PROPERTIES

|              |              |
|--------------|--------------|
| Door Opening | Push to Open |
|--------------|--------------|

### CAPACITY

|                 |             |
|-----------------|-------------|
| Cavity Capacity | 2.4 cu. ft. |
|-----------------|-------------|

### DIMENSIONS & WEIGHT

|                                      |                             |
|--------------------------------------|-----------------------------|
| Overall Appliance Dimensions (HxWxD) | 9 7/16" x 29 3/4" x 24 1/2" |
|--------------------------------------|-----------------------------|

|   |                            |
|---|----------------------------|
| Required Cutout Size (HxWxD) – Standard | 9 1/4" x 28 1/2" x 23 1/2" |
|---|----------------------------|

|                                      |                         |
|--------------------------------------|-------------------------|
| Required Cutout Size (HxWxD) – Flush | 9 9/16" x 30" x 24 1/2" |
|--------------------------------------|-------------------------|

|            |        |
|------------|--------|
| Net Weight | 47 lbs |
|------------|--------|

### WARRANTY

|                                  |        |
|----------------------------------|--------|
| Limited Warranty Parts and Labor | 2 Year |
|----------------------------------|--------|

†To be fully ADA compliant, these units must be installed according to ADA guidelines. Please check current ADA requirements for guidance on installation.

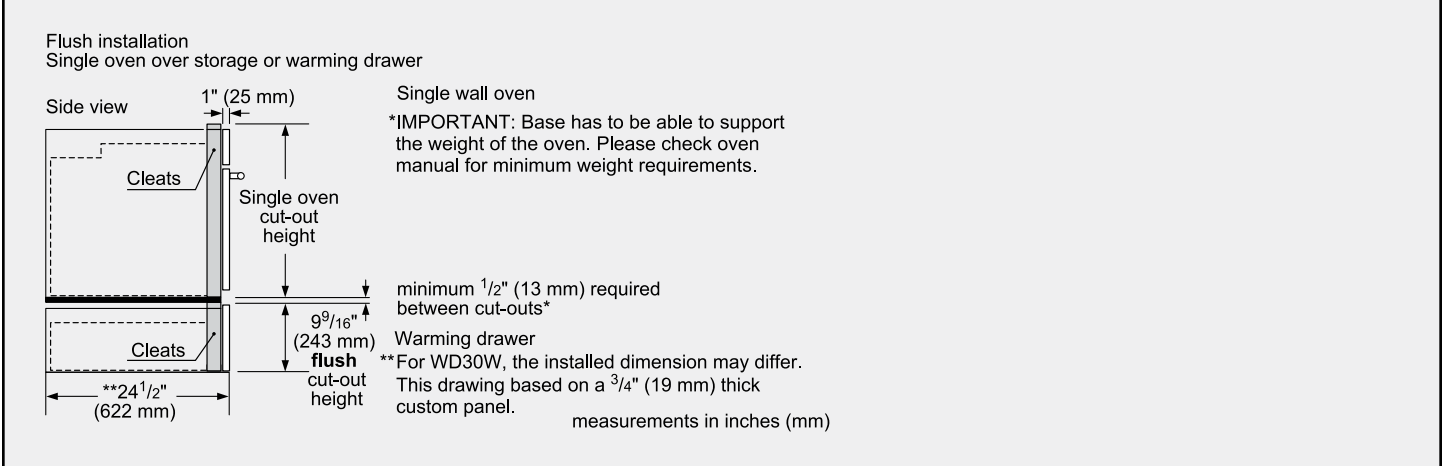
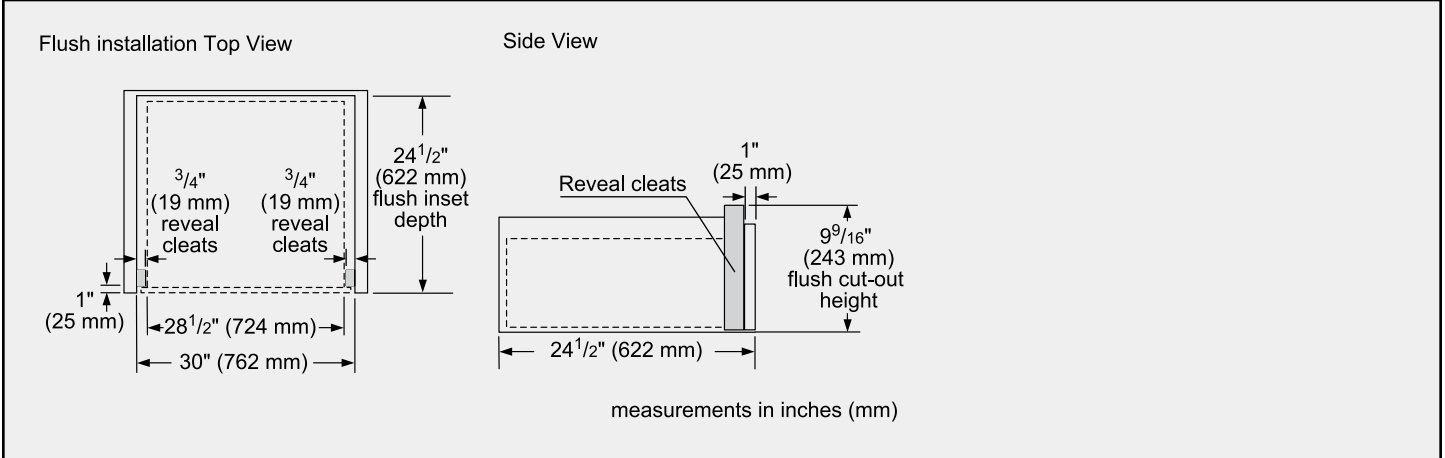
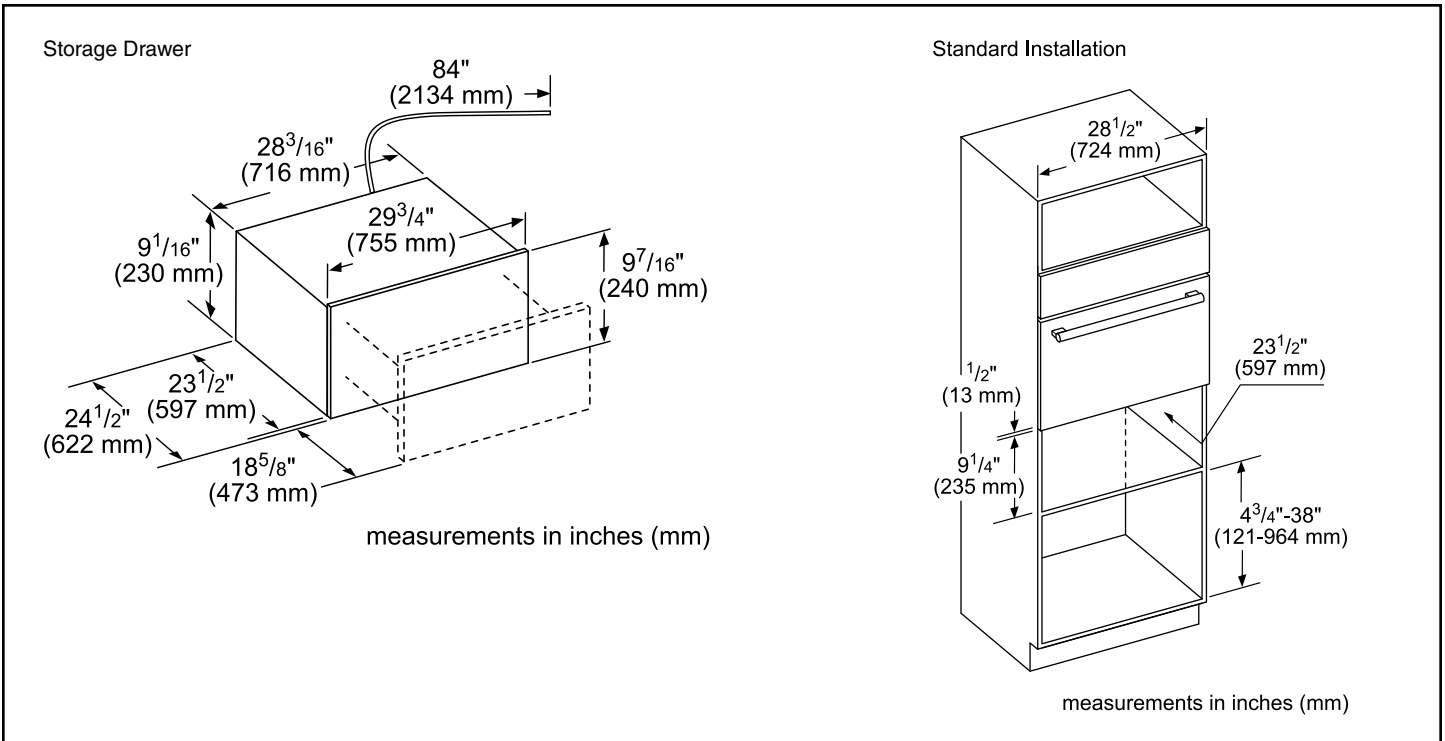
# SD30WC

## 30-INCH STORAGE DRAWER

PUSH TO OPEN



### 30-INCH STORAGE DRAWER AND CUTOUT DIMENSIONS



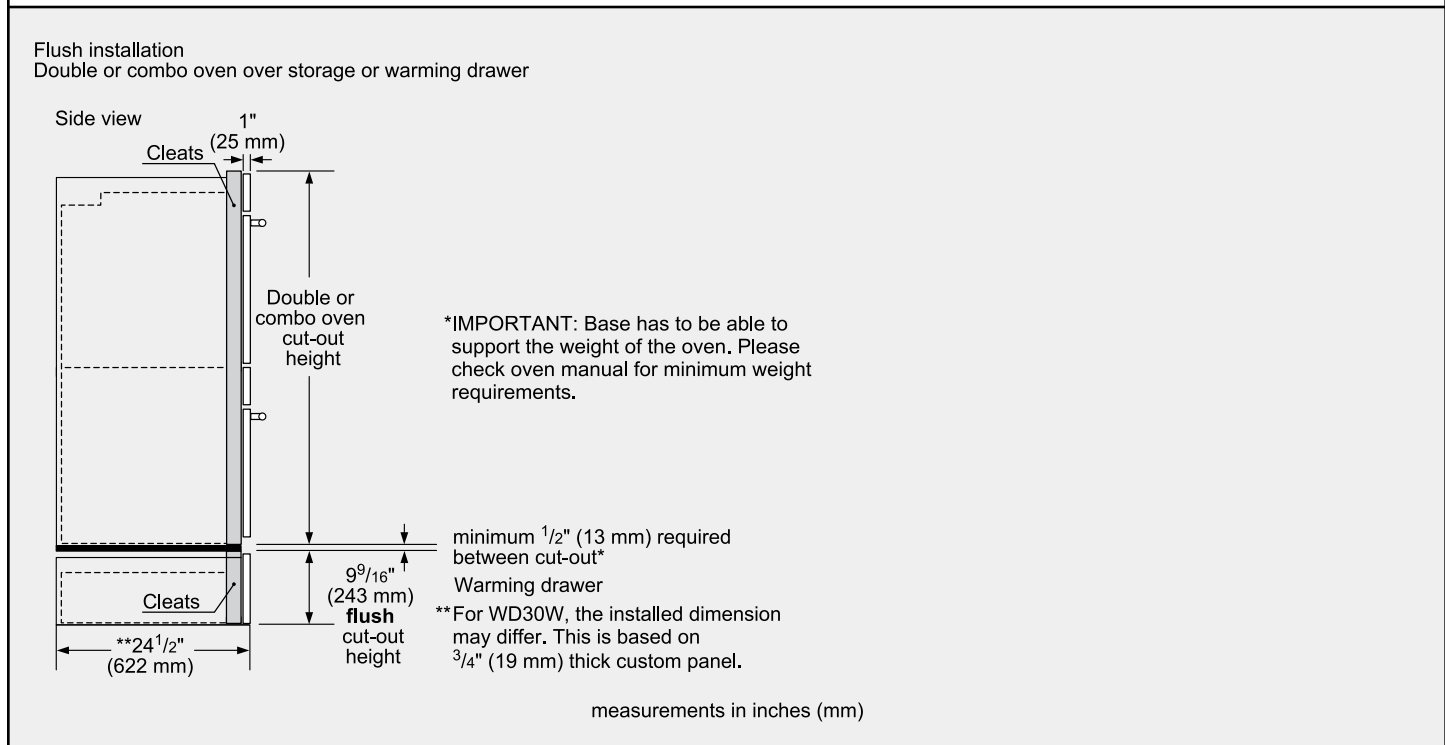
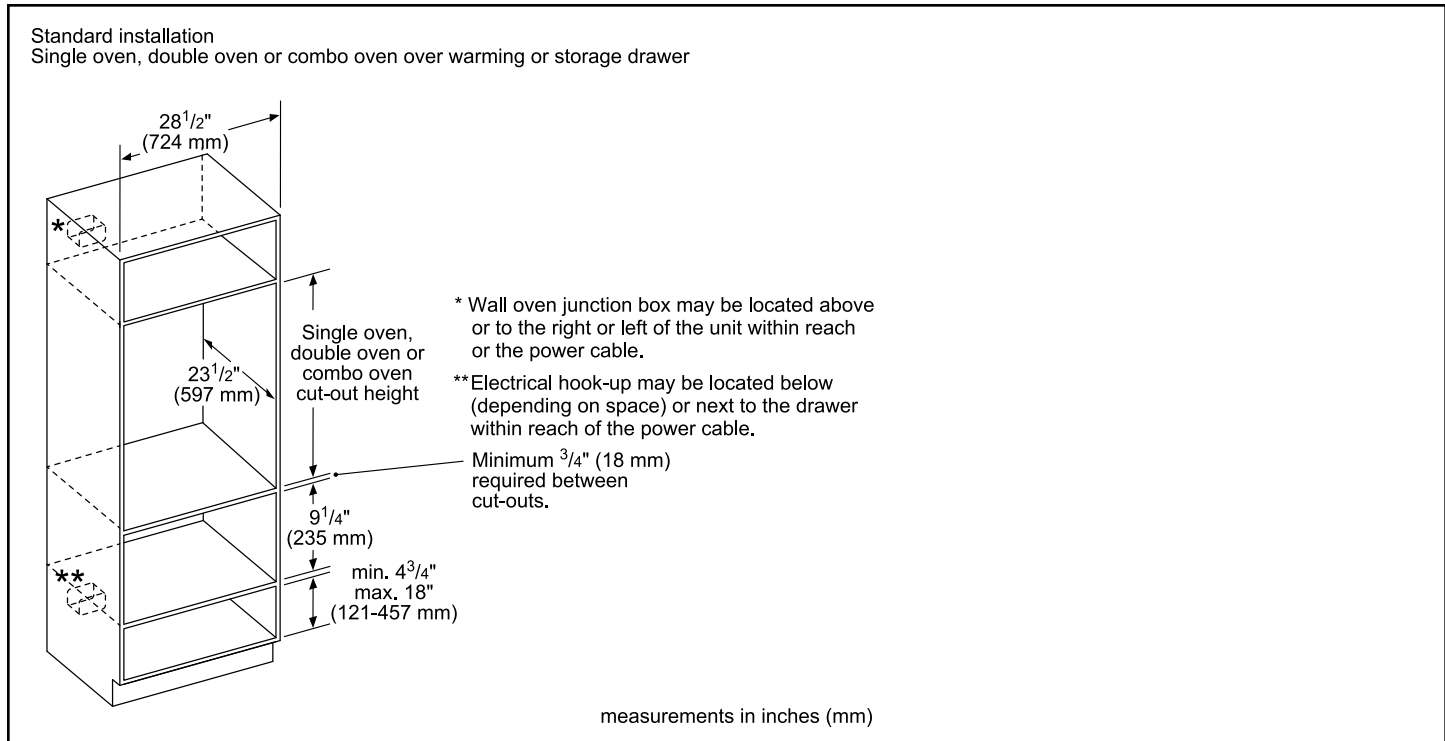
# SD30WC

## 30-INCH STORAGE DRAWER

PUSH TO OPEN



### INSTALLATION DETAILS



These warranties give you specific legal rights and you may have other rights that vary from state to state. Limited warranty from date of delivery. For complete warranty details, refer to your Use & Care manual, or ask your dealer.

Specifications are for planning purposes only. Refer to installation instructions and consult your countertop supplier prior to making counter opening. Consult with a heating and ventilation engineer for your specific ventilation requirements. For the most detailed information, refer to installation instructions accompanying product or write to Thermador indicating the model number. Specifications are correct at time of printing. Thermador reserves the right to change product specifications or design without notice. Some models are certified for use in Canada. Thermador is not responsible for products that are transported from the U.S. for use in Canada.