






ASSEMBLY INSTRUCTIONS

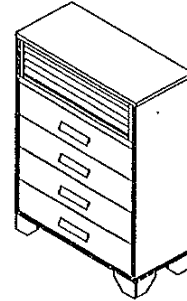
ITEM NO : B4740-4 CHEST

BOX OF CHEST

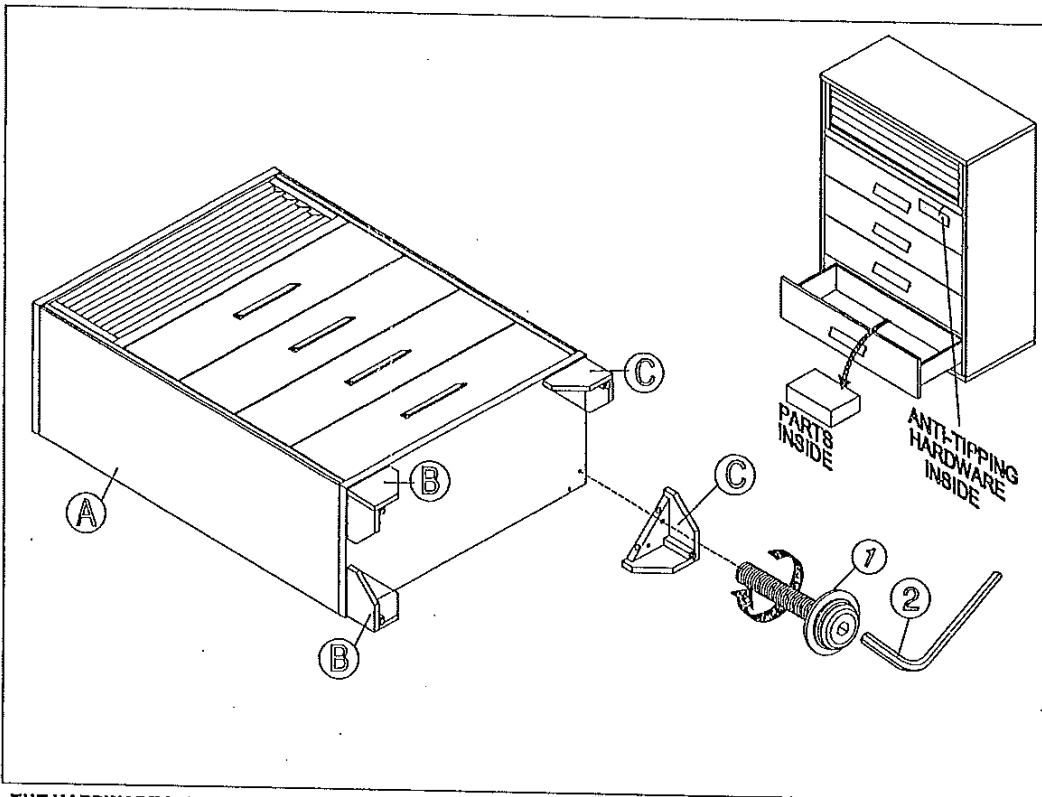
| ITEM | DRAWING | DESCRIPTION | QTY |
|------|---|---|-----|
| A |  | CHEST | 1 |
| B |  | WOODEN LEG - L (PACKED INSIDE CHEST BOTTOM DRAWER) | 2 |
| C |  | WOODEN LEG - R (PACKED INSIDE CHEST BOTTOM DRAWER) | 2 |

BOX OF CHEST HARDWARE LIST

| ITEM | DRAWING | DESCRIPTION | QTY |
|------|---|-------------------------|-----|
| 1 |  | SCREW - JCBC M8 X 35 | 8 |
| 2 |  | ALLEN KEY M8 | 1 |



COMPLETED CHEST
ASSEMBLY



THE HARDWARE IS LOCATED IN THE PACKING ITEMS
THE ANTI-TIPPING HARDWARE IS LOCATED IN THE CHEST 2ND DRAWER

NOTE : MUST TIGHTEN SCREWS PERIODICALLY. WITH USE SCREW MAY BECOME LOOSE.
CHECK TIGHTNESS OF ALL SCREW EVERY 6-8 WEEKS.

MADE IN MALAYSIA

PAGE 1 OF 1