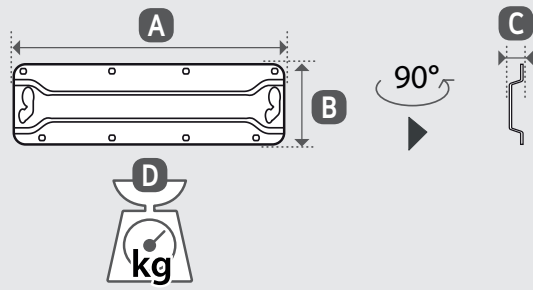
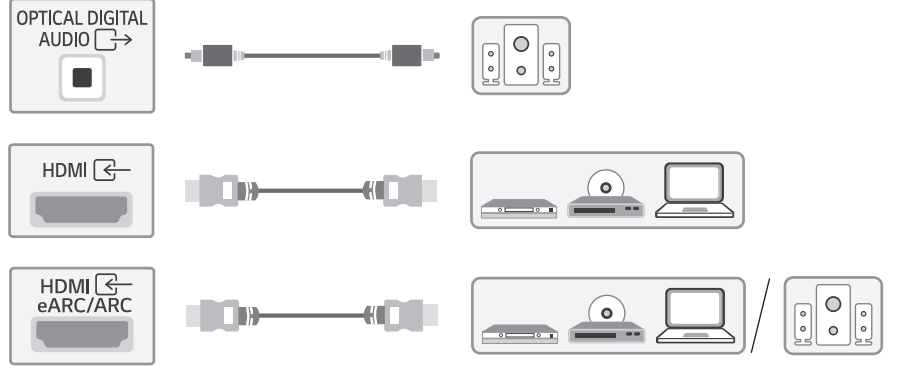
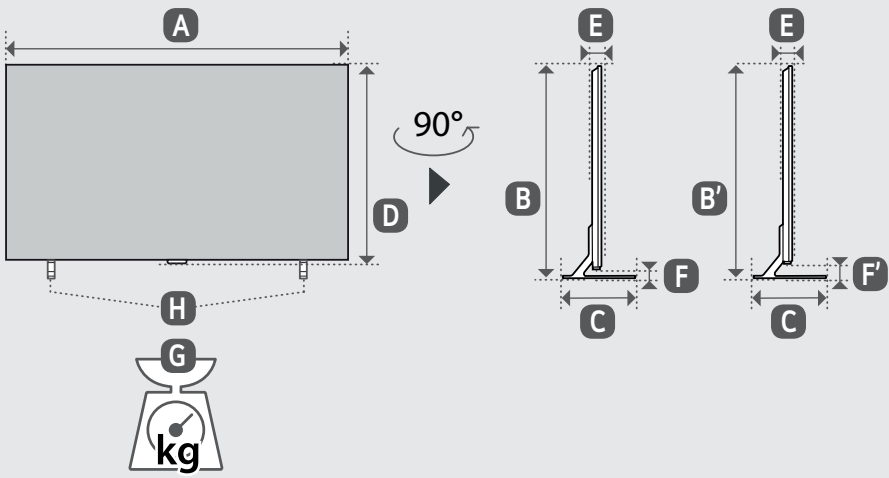


SORTIE AUDIO NUMÉRIQUE OPTIQUE



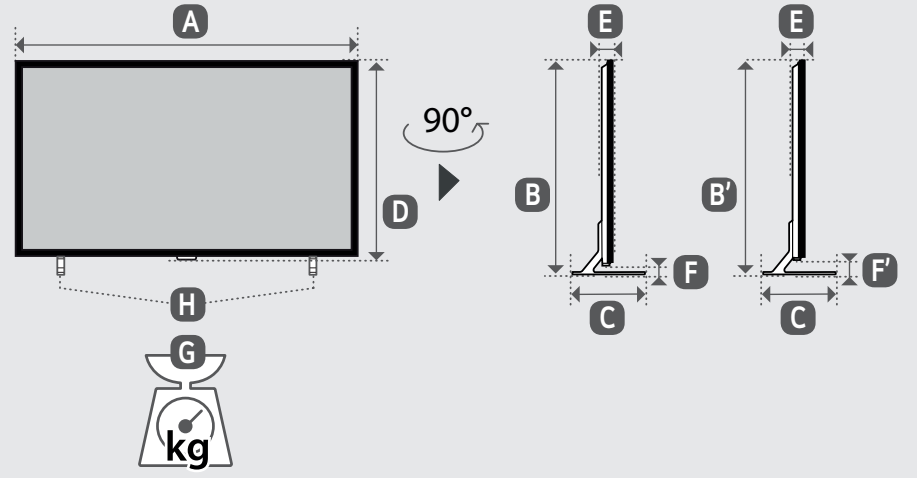
mm (inches / pulgadas / po / pol.)			kg (lbs / libras / lb)
A	B	C	D
548 (21.5)	95 (3.7)	11.5 (0.45)	0.8 (1.7)

A

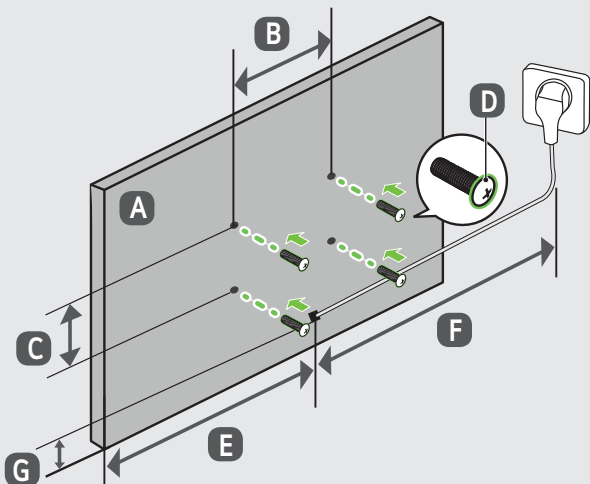


	mm (inches / pulgadas / po / pol.)						kg (lbs / libras / lb)	
	A	B / B'	C	D	E	F / F'	G	G - H
55LX7*	1 227 (48.3)	749 / 779 (29.4 / 30.6)	290 (11.4)	716 (28.1)	38.9 (1.5)	33 / 63 (1.2 / 2.4)	18.6 (41.0)	17.7 (39.0)
65LX7*	1 448 (57.0)	873 / 903 (34.3 / 35.5)	315 (12.4)	841 (33.1)	39.2 (1.5)	32 / 62 (1.2 / 2.4)	26.7 (58.8)	25.7 (56.6)

B



	mm (inches / pulgadas / po / pol.)						kg (lbs / libras / lb)	
	A	B / B'	C	D	E	F / F'	G	G - H
55LX7*	1 247 (49.0)	759 / 789 (29.8 / 31.0)	290 (11.4)	726 (28.5)	40.4 (1.5)	33 / 63 (1.2 / 2.4)	19.5 (42.9)	18.6 (41.0)
65LX7*	1 467 (57.7)	882 / 912 (34.7 / 35.9)	315 (12.4)	850 (33.4)	40.5 (1.5)	32 / 62 (1.2 / 2.4)	27.9 (61.5)	26.9 (59.3)



mm (inches / pulgadas / po / pol.)							
A	B x C	D	E		F	G	
55LX7*	300 x 400 mm (11.8 x 15.7) inches	M6	A	838 mm (32.9) inches	≥1.5 m (59.0) inches	A	202 mm (7.9) inches
			B	848 mm (33.3) inches		B	204 mm (8.0) inches
65LX7*	400 x 400 mm (15.7 x 15.7) inches	M6	A	1 007 mm (39.6) inches	≥1.5 m (59.0) inches	A	209 mm (8.2) inches
			B	1 016 mm (40.0) inches		B	212 mm (8.3) inches

* : 0~9, A~Z