

ITEM NO: I3048-303 66" Curved Exec Desk

Thank you for purchasing this quality product. Be sure to check all packing material carefully for small parts that may come loose inside the carton during shipment.

WARNING! Before using this product, please read, understand, and follow these instructions. Failure to follow each of these assembly instructions precisely may result in damage to the product and / or injury to the consumer.



UNIT SHOULD BE INSTALLED BY 2 OR MORE PERSONS.



TOOLS REQUIRED (NOT PROVIDED)

PHILLIPS SCREWDRIVER

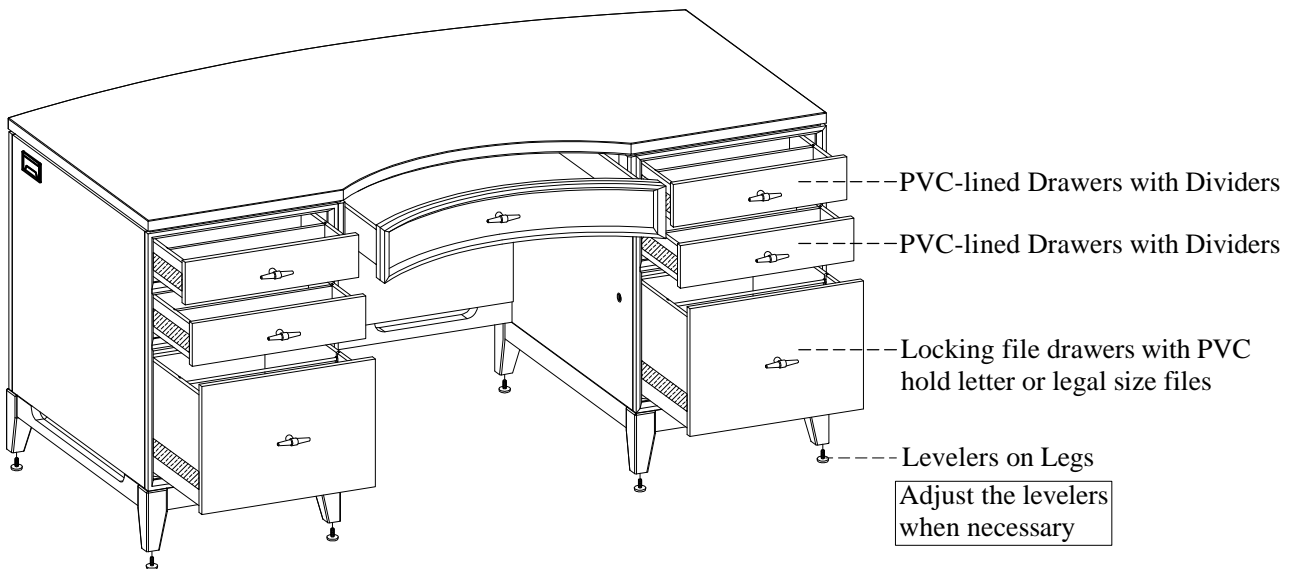
HARDWARE LIST:

No.	Description	Sketch	Quantity
A	Hex Nut Ø5/16"		16 PCS
B	Lock Washer Ø5/16"		16 PCS
C	Flat Washer Ø5/16" x 3/4"		16 PCS
D	Hex Wrench 12mm		1 PC

COMPONENTS LIST:

No.	Description	Sketch	Quantity
1	Case		1 PC
2	Leg		8 PCS

FUNCTIONALITY INSTRUCTION



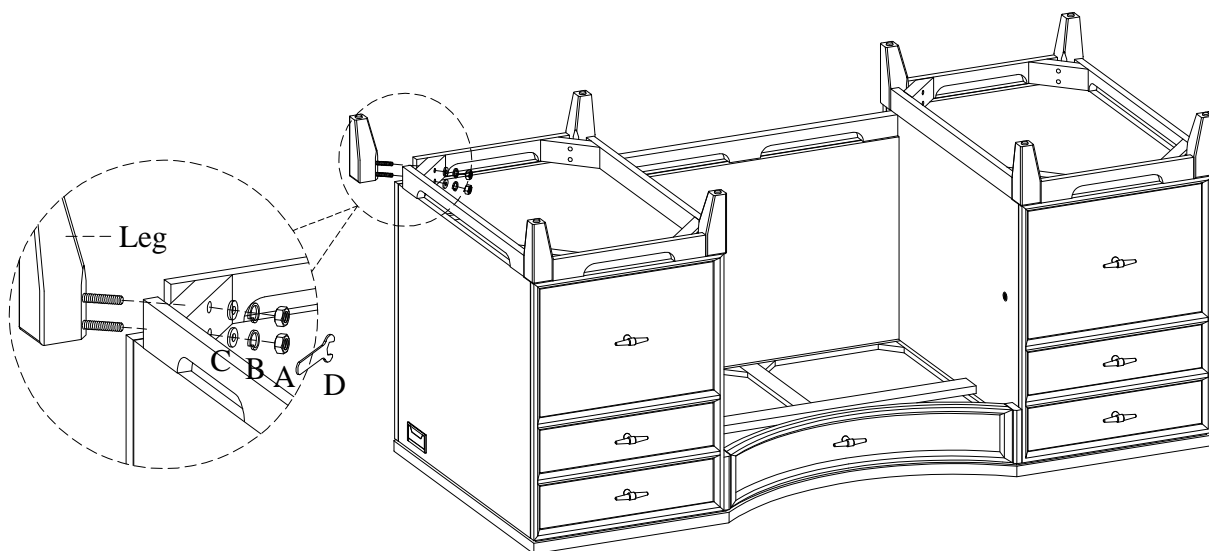
FOR INDOOR USE ONLY



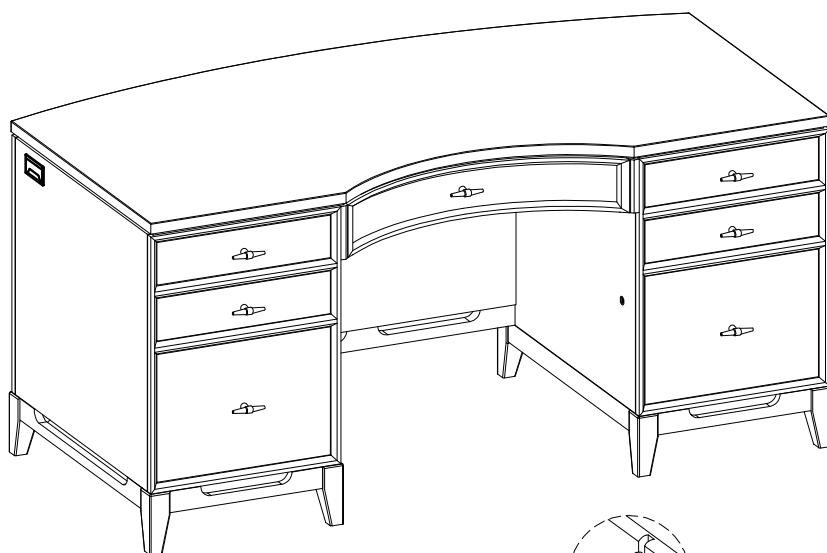
ITEM NO: I3048-303 66" Curved Exec Desk

STEP 1: Put the case face down on a soft surface.

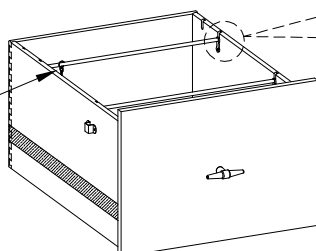
STEP 2: Attach the legs to the case by using 16 flat washers (C), lock washers (B) with hex nuts (A). Use the Hex wrench (D) provided to tighten all the bolts.



STEP 3: Return the case to the upright position.



Keys for file lock.
Do not trash.



Remove the wood screws on the back panels of drawer box to remove the rod loops and file rods if necessary.