

## CPRU315X

Available soon

### classic

24" Warming drawer

EAN13: 8017709265571

AESTHETIC

#### Classic Design

Fingerprint-proof brushed stainless steel

#### TECHNICAL SPECIFICATIONS

Push-and-pull opening system

Inner temperature control knob

Temperature range: 85° - 180°F

On/off light indicator

Maximum load: 33 lbs

Maximum weight allowed above the drawer: 187 lbs

#### Functions

Defrost

Proof

Reheat

Keep-warm

Mugs / Dish warmer

#### DIMENSIONS

Dimensions (HxWxD): 5 5/16" x 23 1/2" x 21 8/9"

Capacity: 0.75 cu. ft.

#### ELECTRICAL SPECIFICATIONS

Voltage: 110 V

Frequency: 50-60 Hz

Nominal power: 400 W

Current: 2 A

#### INCLUDED ACCESSORIES

Silicone anti-slip mat




**SMEG U.S.A. INC.  
A&D BUILDING  
150 EAST 58th STREET, 7th FLOOR  
NEW YORK, NY, 10155  
Tel. +1 212 265 5378  
Fax +1 212 265 5945**

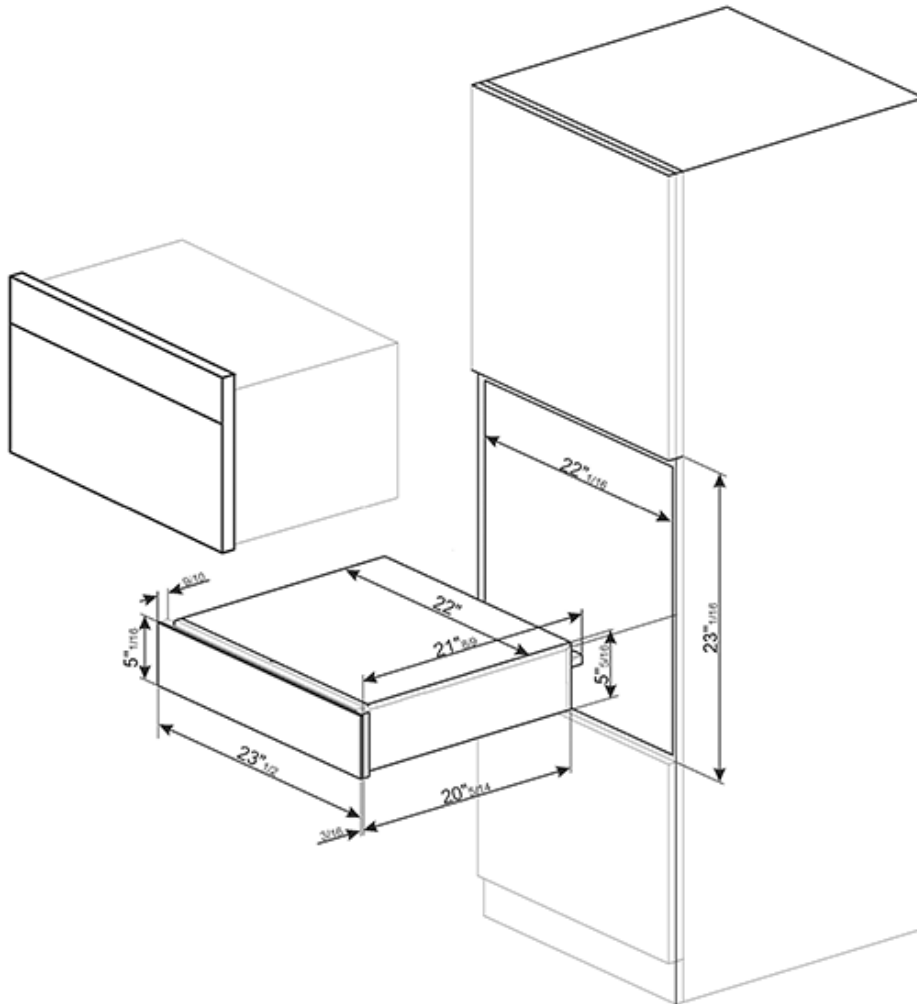


**CPRU315X**  
classic  
for ovens  
warming drawer 

**SMEG U.S.A. INC.**  
**A&D BUILDING**  
**150 EAST 58th STREET, 7th FLOOR**  
**NEW YORK, NY, 10155**  
**Tel. +1 212 265 5378**  
**Fax +1 212 265 5945**



**CPRU315X**  
classic  
for ovens  
warming drawer 



**SMEG U.S.A. INC.**  
A&D BUILDING  
150 EAST 58th STREET, 7th FLOOR  
NEW YORK, NY, 10155  
Tel. +1 212 265 5378  
Fax +1 212 265 5945