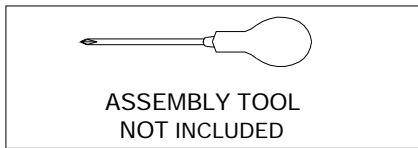


ASSEMBLY INSTRUCTIONS INSTRUCCIONES

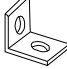



B1500-2 NIGHTSTAND B1500-2 BURO

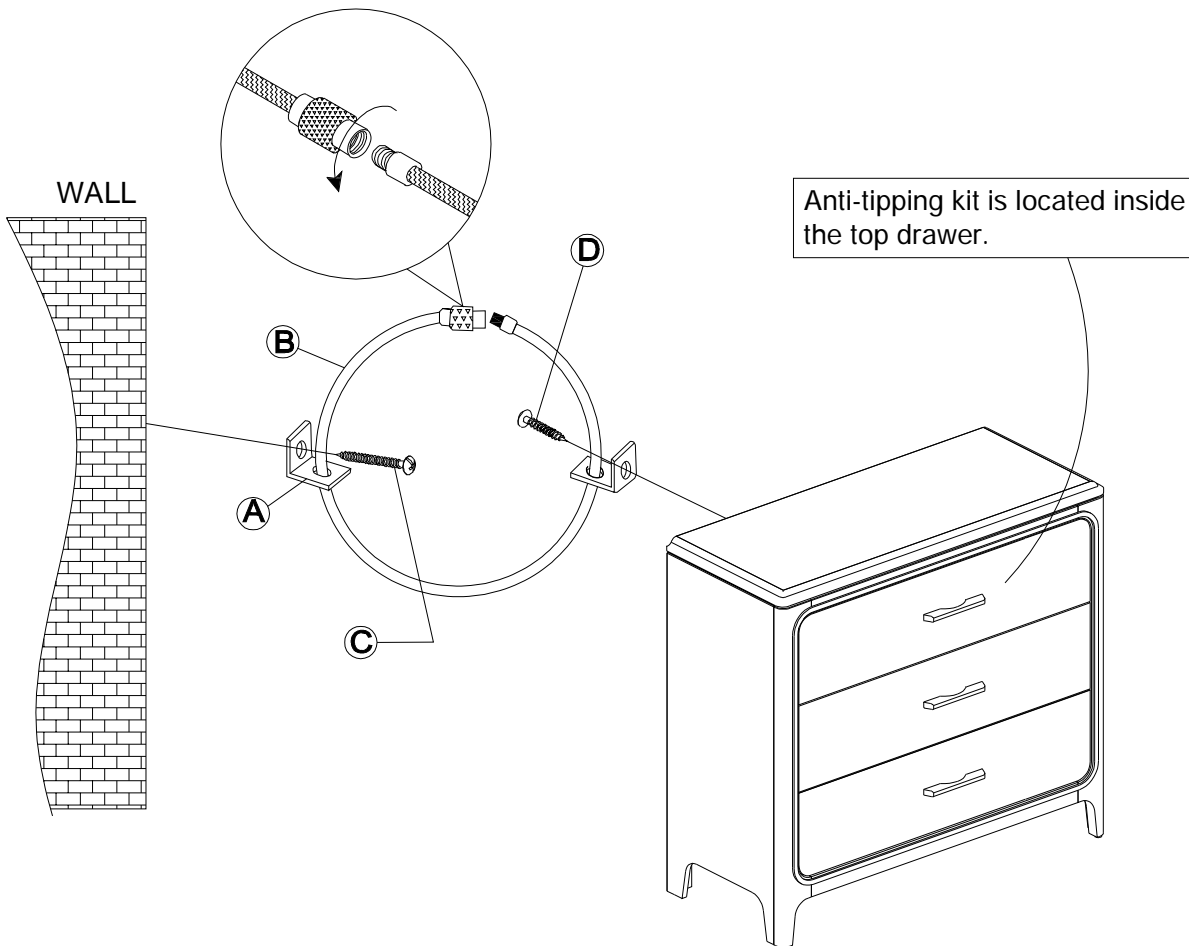
PARTS LIST LISTA DE PARTES

1	NIGHTSTAND/ BURO		1PC/ PIEZA
----------	-----------------------------	---	-----------------------



ANTI-TIPPING HARDWARE LIST LISTA DE HARDWARE ANTI-TIPPING

A	BRACKET		2PCS/ PIEZAS
B	TIE WRAP		1PC/ PIEZA
C	LONG SCREW #8X2"L		1PC/ PIEZA
D	SHORT SCREW #8x5/8"L		1PC/ PIEZA



THE HARDWARE IS LOCATED
IN THE PACKING ITEMS.

NOTE:
DURING ASSEMBLY DO NOT FULLY
TIGHTEN ANY HARDWARE UNTIL THE
COMPLETE UNIT HAS BEEN ASSEMBLED.