

2218BEV

18" Beverage Center • 2000 Series



FEATURES & BENEFITS



| | |
|--------------------------|--|
| PERFORMANCE | <ul style="list-style-type: none"> • Volume of 3.4 cu ft holds up to 51 bottles (12 oz) or 87 cans (12 oz) and 7 wine bottles (750 ml) • Digital Touch Pad Control is conveniently located on upper face of unit • Approximate temperature range: 34°F - 45°F • Convection cooling system rapidly and efficiently takes items to the set temperature |
| INTERIOR/EXTERIOR | <ul style="list-style-type: none"> • Black interior is illuminated with LED lighting that automatically turns off when the door is closed, or can be set to stay on for 3 hours • Full extension black coated wine racks allow for easy access • Wine racks accommodate a variety of bottle shapes and sizes • Three adjustable tempered glass shelves with 7 height positions • LowE coated, argon gas filled, triple thermopane glass door provides protection from harmful UV Light • Stainless steel handle (7/8" diameter) • The door swing on non-lock models is field reversible, and is shipped right-hand hinged • Lock models must be ordered right-hand or left-hand hinged |
| INTEGRATION | <ul style="list-style-type: none"> • Solid natural beech wood fronts on wine racks can easily be stained to match surrounding cabinetry • Robust, concealed, and covered hinges with built-in door stop and closer • Integrated model requires 3/4" custom panel of your choice, or can accept U-Line Euro Style Handleless Stainless Panel Accessory (must be ordered separately) • Fixed grille can accept an integrated toe-kick • Four independently adjustable leveling legs provide a precise undercounter fit |



STAINLESS FRAME



STAINLESS FRAME (LOCK)



INTEGRATED FRAME



INTEGRATED FRAME (STAINLESS HANDLELESS PANEL)*



INTEGRATED SOLID



INTEGRATED SOLID (STAINLESS HANDLELESS PANEL)*

MODEL DETAILS

| Model | Voltage/Hz | Door Swing | Finish | Shipping Weight |
|------------------|------------|------------------|-------------------------------|-----------------|
| U-2218BEVS-00A | 115 / 60 | Field Reversible | Stainless Frame | 127 lb |
| U-2218BEVS-13A | 115 / 60 | Field Reversible | Stainless Frame (Lock) | 127 lb |
| U-2218BEVS-15A | 115 / 60 | Field Reversible | Integrated Frame (Handleless) | 127 lb |
| U-2218BEVINT-00A | 115 / 60 | Field Reversible | Integrated Frame | 125 lb |
| U-2218BEVINT-60A | 115 / 60 | Field Reversible | Integrated Solid | 119 lb |

ACCESSORIES

| Model | Description | Finish | Shipping Weight |
|----------------|----------------------------------|-----------|-----------------|
| ULASHP18FRAME* | Stainless Handleless Panel Frame | Stainless | 8 lb |
| ULASHP18SOLID* | Stainless Handleless Panel Solid | Stainless | 12 lb |

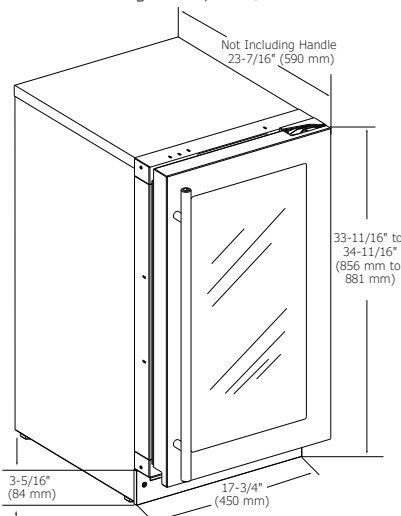
*Installs on integrated models.

2218BEV

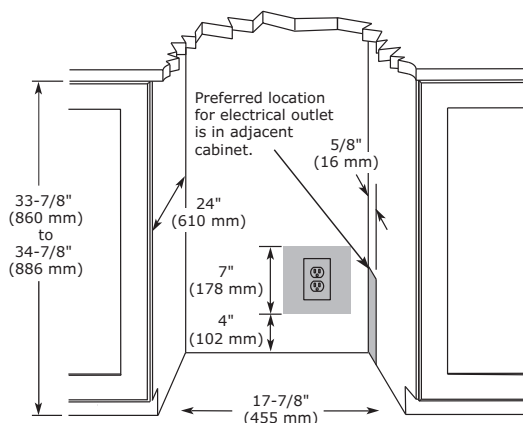
2000 Series • 18" Beverage Center

DIMENSIONS

Dimensions shown apply to all finishes, including Integrated (INT) models with 3/4" integrated panel/frame installed.



CABINET CUT-OUT



INSTALLATION NOTES

When installing adjacent to wall, ensure 2 1/2" clearance on hinged side for 90° door opening, allowing ample room for door handle.

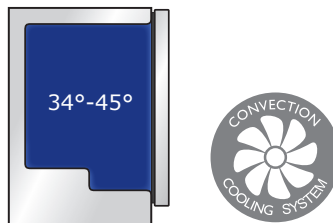
No additional clearance around sides, top or rear of unit is needed for ventilation.

Do not obstruct front grille air flow.

SPECIFICATIONS

| | |
|-----------------------------------|--|
| Model | 2218BEV |
| Amps: Running | 1.2 |
| Capacity: Bottle (12 oz) | 51 |
| Capacity: Can (12 oz) | 87 |
| Capacity: Volume (cu ft) | 3.4 |
| Capacity: Wine Bottle (750 ml) | 7 |
| Control Type | Digital Touch Pad |
| Dimensions: Product Depth | 23 7/16" / 590 mm |
| Dimensions: Product Height | 33 11/16" / 856 mm |
| Dimensions: Product Width | 17 3/4" / 450 mm |
| Energy Consumption: Avg. Per Year | 260 |
| ENERGY STAR | ENERGY STAR / Tier 1 |
| Panel Height | 30" / 762 mm |
| Panel Thickness | 3/4" / 20 mm |
| Panel Type | 2 3/4" / 70 mm Frame Panel or Solid Panel (-60 suffix) |
| Panel Width | 17 5/8" / 445 mm |
| Product Weight: Max | 119 lbs |
| Refrigerant Type | R600a |
| Sabbath (Star K Certified) | Yes |
| Temperature Range | 34°F - 45°F |

COOLING SYSTEM



ELECTRICAL REQUIREMENTS

This unit requires a grounded, polarized 115 VAC, 60 Hz, 15 A power supply (normal household current).



Please visit u-line.com to view this model's User Guide & Service Manual. All Specifications are subject to change without notice.