

AUTOMATIC ICE MAKER INSTALLATION INSTRUCTIONS

WARNING

Only an authorized service technician should install the ice maker kit.

WARNING

- To avoid electric shock, which can cause death or severe personal injury, disconnect the refrigerator from electrical power before connecting a water supply line to the refrigerator.
- Connect the ice maker to a potable water supply only.

CAUTION

To Avoid Property Damage:

- Use copper tubing for the water supply line. Use of water supply tubing made of ¼" plastic greatly increases the potential for water leaks. The manufacturer will not be responsible for any damage if plastic tubing is used for the supply line.
- DO NOT install water supply tubing in areas where temperatures fall below freezing.
- Chemicals from a malfunctioning water softener can damage the ice maker. If you connect the ice maker to softened water, ensure that the softener is maintained and working properly.

The following items are required to install the ice maker kit:

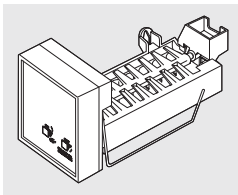
- ¼" copper supply line with shutoff valve
- ¼" brass compression nut and ferrule
- Freezer shelf (Some models are not equipped with the shelf). If your model does not have one, contact your dealer to order one.

The copper tubing and shutoff valve are available in a kit from your local hardware or plumbing supply store. Coil enough tubing at the back of the unit to allow movement for cleaning.

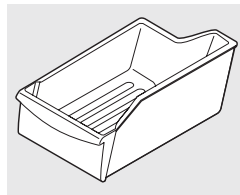
Tools Needed:

- | | |
|----------------------------------|----------------------------------|
| • Plastic Putty Knife | • Phillips™ Screwdriver |
| • ¼" Socket Wrench or Nut Driver | • Needle Nose Pliers |
| • Adjustable Wrench | • Power Drill with Phillips™ Bit |
| • Small Kitchen Knife | |

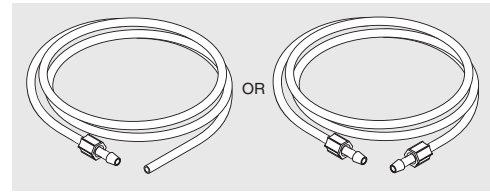
Ice Maker (IM116000) Kit Components



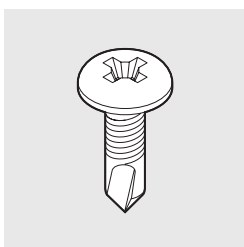
Ice Maker
Qty: 1



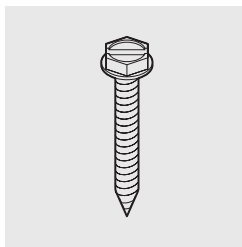
Ice Container
Qty: 1



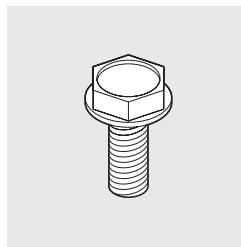
Plastic Water Supply Tubing
Qty: 1



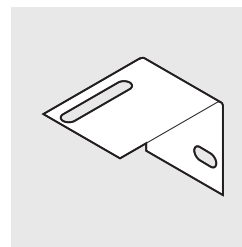
Self-tapping Screw
Qty: 2



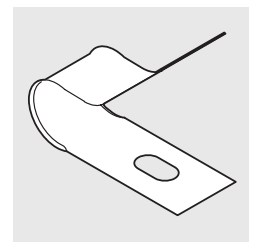
Long Mounting Screw
Qty: 2



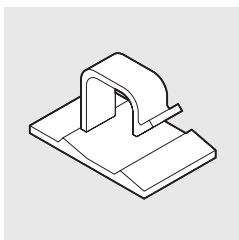
Leveling Bracket Screw
Qty: 1



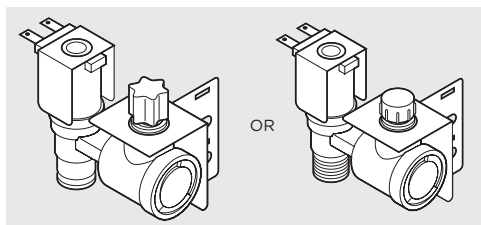
Leveling Bracket
Qty: 1



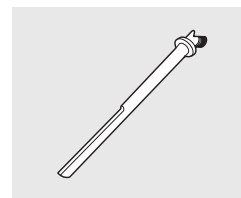
Steel Clamp
Qty: 1



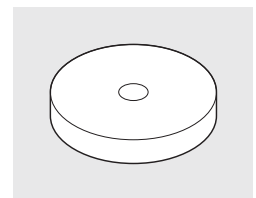
Plastic Clamp
Qty: 2



Water Valve
Qty: 1



Water Inlet Tube
Qty: 1



Tube Seal
Qty: 1

Ice Maker Installation Instructions

1. Unplug refrigerator from electrical outlet.
2. Remove ice tray rack from freezer (some models).
3. Remove spacer. Remove freezer shelf (some models) by pushing shelf to left until right side of shelf comes free from holes. Then slowly lift up and pull shelf free from holes on right side.

NOTE

On some models, you must remove 2 plugs on the left freezer wall. These holes will be used to mount the Ice Maker. (The water inlet tube will be inserted in a plug on the back wall.)

4. Use a plastic putty knife to remove plugs from inside the freezer compartment. See Figure 1.
5. Remove the harness connector cover, where the ice maker will plug in, by removing the 1/4" hex head screw. See Figure 1.

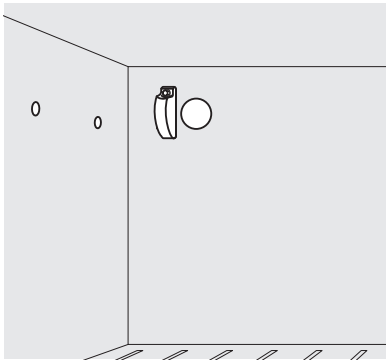


Figure 1

6. Remove the screws securing the access cover to the cabinet (interior condensers only - see Figure 2).

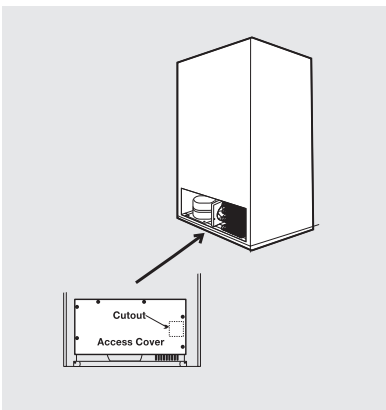


Figure 2

7. Use a small kitchen knife to cut the dashed lines on the Ice Maker Installation label located on the outside rear panel of the refrigerator in the top, right corner. See Figure 3. Push the flaps inward until they stick to the unit.

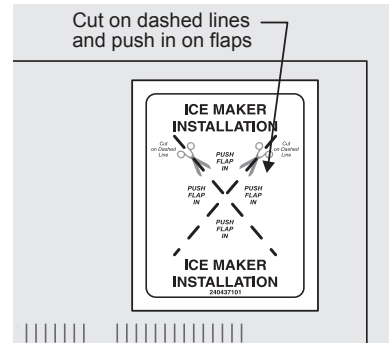


Figure 3

8. If necessary, remove any foam from within the access hole with needle nose pliers.

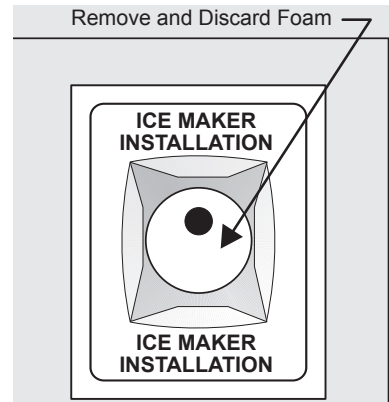


Figure 4

9. Push the tube seal over the threads (Figure 5). Push the plastic water supply tubing into the water inlet tube as far as it will go and finger tighten the nylon compression nut onto the threaded end of the inlet tube. Tighten another 1/2 turn with a wrench. DO NOT overtighten.

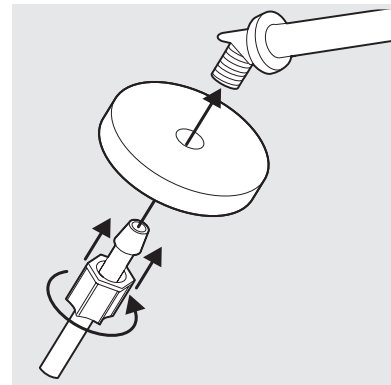


Figure 5

Ice Maker Installation Instructions

10. Push the water inlet tube through the small hole where the Installation label was (Figure 6). Rotate while inserting the tube until the flat surface of the inlet tube is tight against back of the refrigerator.

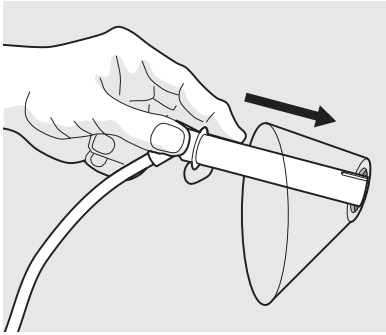


Figure 6

13. Connect the wiring harness into the connector mounted on the back freezer panel, just to the left of where the water inlet tube comes through. The harness connector is keyed so it will only fit one way. Next, slide the Ice Maker connector cover over the connector (see Figure 9--snap on top, hook on bottom). The Ice maker connector cover can then be snapped into place into the back panel or slid up tight to the back panel depending on which version of back panel you have (see note below). Then, mount the Ice Maker to the 2 mounting screws you inserted earlier from Step 12. (See figure 10.) Tighten the screws. Make sure the water inlet tube is sitting inside the fill cup.

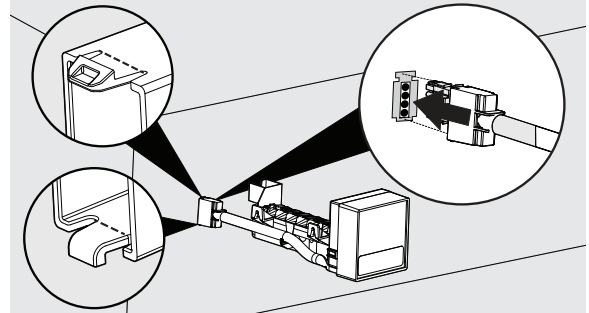


Figure 9

11. Install the adjustable leveling bracket on the bottom of the Ice Maker with a screw (Figure 7). Remove the leveling bracket screw from the ice maker body and insert the bracket between the ice maker body and the plastic heater cover. Re-install the leveling bracket screw but **DO NOT** tighten bracket at this point. It will be tightened later in this procedure.

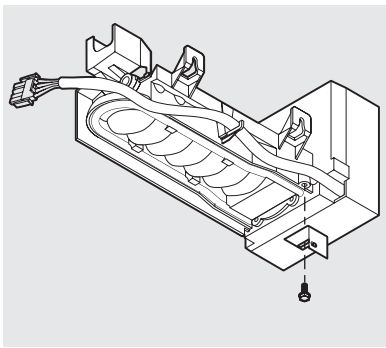
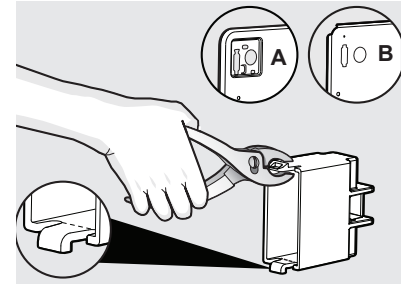


Figure 7

NOTE
If your back cover looks like (A) proceed to installing the ice maker. If your back cover looks like (B), break off the snap and hook on connector cover using pliers, and then proceed to install the ice maker.



12. Insert 2 long Ice Maker mounting screws into the freezer wall where the plugs were removed in Step 4. Turn each screw clockwise 5 turns (Figure 8).

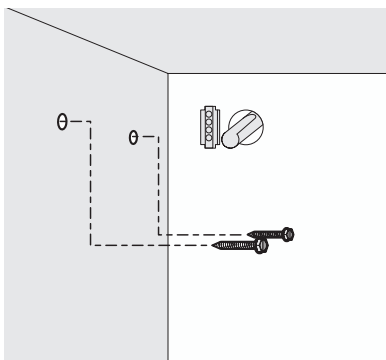


Figure 8

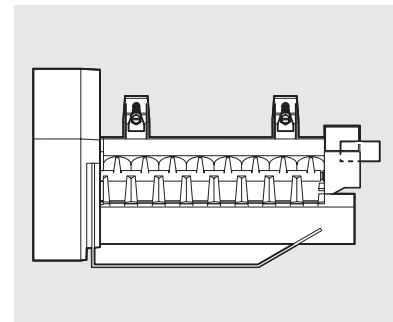


Figure 10

NOTE

Use both hands to hook up and secure the Ice Maker to the freezer wall. **DO NOT** let the Ice Maker dangle free after you plug the wiring harness into the connector on the back freezer wall.

Ice Maker Installation Instructions

- Adjust the leveling bracket on the Ice Maker. If the gap between the freezer wall and the Ice Maker is the same at top and bottom, then Ice Maker is level. Tighten the leveling bracket screw when it's level.
- Reinstall the freezer shelf in the lower position. Set the ice container on the shelf.

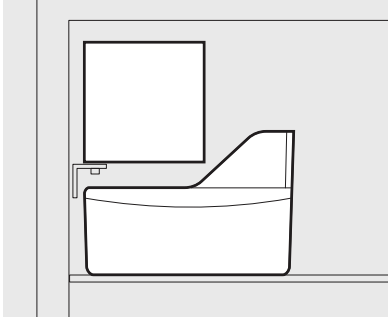


Figure 11

- Connect the wiring harness to the water valve. Make sure the connection is tight.

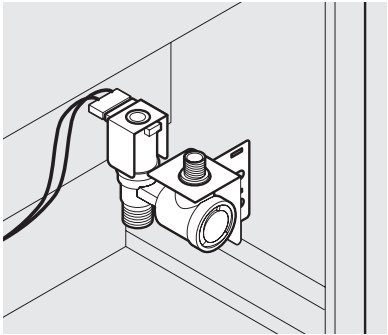


Figure 12

NOTE

If your refrigerator has an interior condenser, connect the plastic water supply tubing and the wiring harness to the water valve prior to mounting the valve to the rear panel because of space constraints. Once the valve is mounted, it's very hard to get your hands in there to make the necessary connections. Additionally, you may have to bend the metal tubing slightly out of the way for the water valve to fit in the space. **Do Not** kink the tubing.

- You can use 2 types of water valves with this kit. Follow the instructions which apply to the type of valve supplied with your kit. See Figures 13A and 13B.

For valves with a threaded outlet (Figure 13A), push the bullet-shaped end of the green tube into the valve and tighten the plastic nut (finger tight). Then tighten it an additional 1/2 turn with a wrench. **DO NOT** overtighten.

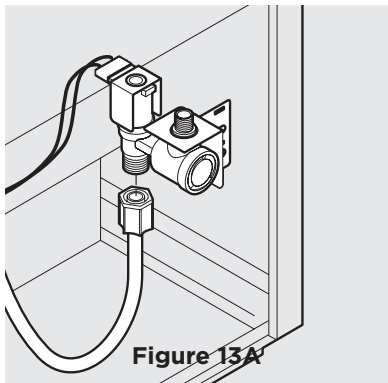


Figure 13A

For valves with a push-in connection with no threads (Figure 13B), check the green hose to see if it has a small black mark near the end without the formed tip and plastic nut. If there is not a mark, use measuring tape and a marker to place a mark 11/16" from the end. The valve seals against the outside surface of the tube with an o-ring, so be sure the end of the tube is clean and not scratched. Grasp the tube just above the mark and push it firmly into the valve until it bottoms out. When pushed in to the proper depth, the mark will line up with the end of the valve fitting. If the mark is not even with the end of the fitting, the tube is not pushed in all the way. To remove the tube, push it inward on the collar at the end of the fitting while pulling on the tube.

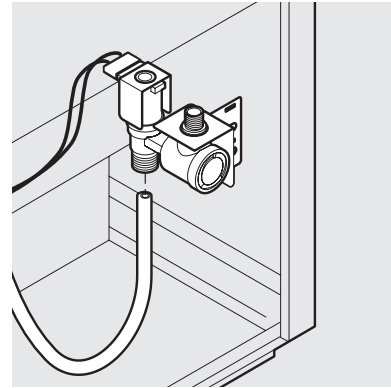


Figure 13B

- Locate the factory punched holes at the bottom right corner of the rear panel. Align the water valve bracket with factory drilled holes. You may have to bend the metal tubing slightly out of the way. Use a power drill with a Phillips® head bit to drive 2 self-tapping screws through bracket and into cabinet.

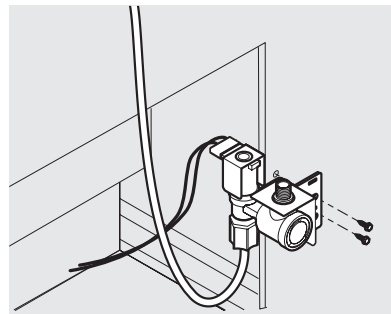
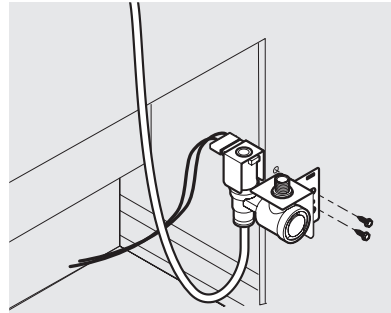


Figure 14

NOTE

Clean the back of the cabinet with a commercial household cleaner, ammonia or alcohol before applying the plastic clamps to the water tubing.

Ice Maker Installation Instructions

19. Secure the plastic water tubing to the rear of the cabinet with 2 plastic clamps.

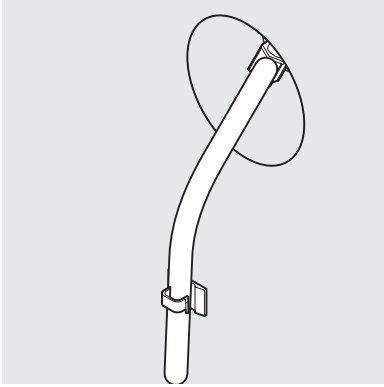


Figure 15

20. Punch out the cutout on the access cover to allow for the water valve (interior condenser models only). If your refrigerator has a metal access cover, then you may need to use pliers to remove the cutout.

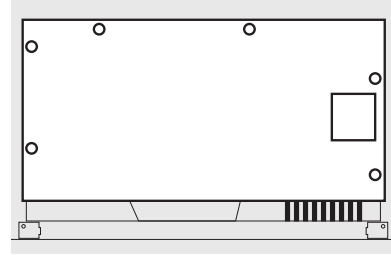


Figure 16

21. Remount the access cover (interior condenser models only) and the condenser if it was pulled out of the way because of space constraints.

Connecting Ice Maker to Water Supply

WARNING

Only an authorized service technician should install the ice maker kit.

WARNING

To avoid electric shock, which can cause death or severe personal injury, disconnect the refrigerator from electrical power before connecting a water supply line to the refrigerator.

IMPORTANT

Ensure your water supply line connections comply with all local plumbing codes.

CAUTION

To Avoid Property Damage:

- We recommend copper or stainless steel braided tubing for the water supply line. You should not use water supply tubing made of 1/4" plastic. Plastic tubing greatly increases the potential for water leaks, and the manufacturer will not be responsible for any damage if plastic tubing is used for the supply line.
- **DO NOT** install the water supply tubing in areas where temperatures fall below freezing.
- Chemicals from a malfunctioning softener can damage the ice maker. If the ice maker is connected to soft water, be sure to maintain the softener so it is working properly.

Before Installing The Water Supply Line, You Will Need:

Basic tools: adjustable wrench, 1/4" nut driver, and Phillips™ screwdriver.

- Access to a household cold water line with water pressure between 30 and 100 psi (2 and 6.9 bar).
- A water supply line made of 1/4" (6.4 mm) copper or braided stainless steel or polyline tubing. To determine the length of tubing needed, measure the distance from the ice maker inlet valve at the back of the refrigerator to your cold water pipe. Then add approximately 7 feet (2.1 meters), so the refrigerator can be moved out for cleaning.
- A shutoff valve to connect the water supply line to your household water system.
- Do not reuse compression fitting or use thread seal tape.
- A compression nut and ferrule (sleeve) if using copper water supply line to the ice maker inlet valve.

NOTE

Check with your local building authority for recommendations on water lines and associated materials prior to installing your new refrigerator. Depending on your local/state building codes, Frigidaire recommends for homes with existing valves its **Smart Choice**® water line kit 5304490728 (with a 6 ft. Stainless Steel Water Line) or 5304493869 (with a 6 ft. Polyline Water Line), and for homes without an existing valve, Frigidaire recommends its **Smart Choice**® water line kit 5304490717 (with a 20 ft. Copper Water Line with self-tapping saddle valve). Please refer to www.frigidaire.com for more information.

Connecting Ice Maker to Water Supply

To Connect Water Supply Line To Ice Maker Inlet Valve

1. Disconnect the refrigerator from the electrical power source.
2. Place the end of the water supply line into a sink or bucket. Turn ON the water supply and flush the supply line until the water is clear. Turn OFF the water supply at the shutoff valve.
3. Remove the plastic cap from the water valve inlet and discard the cap.
4. If you use copper tubing - Slide the brass compression nut, and then the ferrule (sleeve) onto the water supply line. Push the water supply line into the water valve inlet as far as it will go (1/4" / 6.4 mm). Slide the ferrule (sleeve) into the valve inlet and finger tighten the compression nut onto the valve. Tighten another half turn with a wrench; DO NOT overtighten. See Figure 17.

If you use stainless steel or polyline tubing - The nut and ferrule are already assembled on the tubing. Slide the compression nut onto the valve inlet and finger tighten the compression nut onto the valve. Tighten another half turn with a wrench; DO NOT overtighten. See Figure 18.

5. Connect wiring harness to water valve. Make sure connection is tight. See Figure 19.

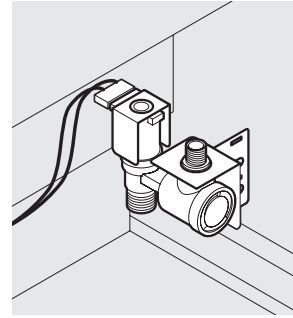


Figure 19

➔ IMPORTANT

It takes approximately 24 hours for the ice maker to begin producing ice. Air in new plumbing lines may cause the ice maker to cycle 2 or 3 times before making a full tray of ice. New plumbing may cause ice to be discolored or have poor flavor. Discard ice made during the first 24 hours.

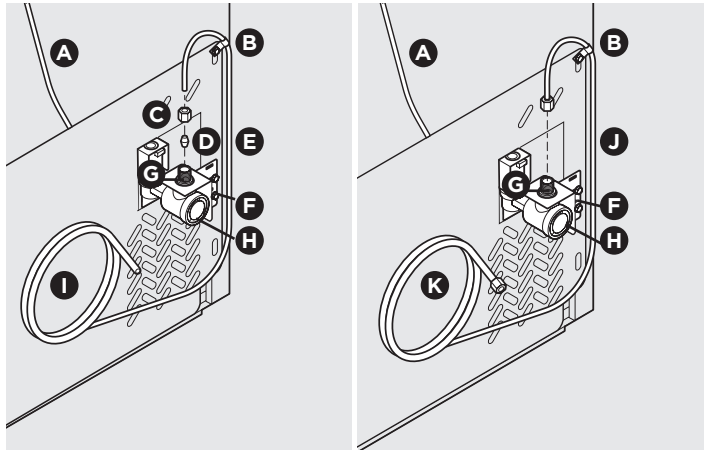


Figure 17

Figure 18

6. With the steel clamp and the screw, secure the water supply line (copper tubing only) to the rear panel of refrigerator as shown in Figure 17.
7. Coil the excess water supply line (copper tubing only), about 2½ turns, behind refrigerator as shown in Figure 17 and the arrange coils so they do not vibrate or wear against any other surface.
8. Turn ON the water supply at the shutoff valve and tighten any connections that leak.
9. Reconnect the refrigerator to the electrical power source.
10. To turn the ice maker on, lower the wire signal arm.

A	Plastic Water Tubing to Ice Maker Fill Tube
B	Steel Clamp
C	Brass Compression Nut
D	Ferrule (Sleeve)
E	Copper Water Line
F	Water Valve Bracket
G	Valve Inlet
H	Water Valve
I	Copper Water Line From Household Supply
J	Stainless Steel Waterline
K	6 ft. Stainless Steel Water Line From Household Supply

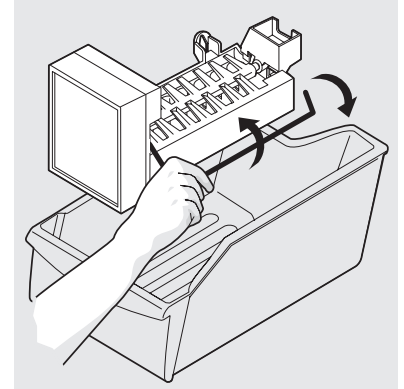
Automatic Ice Maker Tips

Remember that water quality determines your ice quality. If the water source uses a water softener, be sure to maintain the softener so it is working properly. Chemicals from a malfunctioning softener can damage the ice maker.

To stop the ice maker, lift the wire signal arm until it clicks and locks in the “up” or OFF position. The ice maker turns off automatically when the ice container is full. If your model has an adjustable freezer shelf, place the shelf so the wire signal arm will hit the ice when the ice container is full.

Ice Maker Tips

- Ice stored too long may develop an odd flavor. Empty the container and be sure the wire signal arm is in its “down” or ON position. The ice maker will then produce more ice.
- Occasionally shake the container to keep ice separated.
- Keep the wire signal arm in its “up” or OFF position until the refrigerator is connected to the water supply or whenever the water supply is turned off.
- The following sounds are normal when the ice maker is operating:
 - Motor running
 - Ice loosening from tray
 - Ice dropping into ice container
 - Running water
 - Water valve opening or closing



CAUTION

Do Not place the ice container in your dishwasher.

- Wash the ice container in warm water with mild detergent. Rinse well and dry.
- Stop the ice maker when cleaning the freezer or for short vacations.
- If the ice maker will be turned off for a long period of time, turn the water supply valve to the closed position.

MÁQUINA DE HIELO AUTOMÁTICA I

INSTRUCCIONES DE INSTALACIÓN

! ADVERTENCIA

Solo un técnico de servicio autorizado debe instalar el kit de máquina de hielo.

! ADVERTENCIA

- Para evitar una descarga eléctrica, que puede provocar la muerte o lesiones personales graves, desconecte el refrigerador de la energía eléctrica antes de conectar una línea de suministro de agua al refrigerador.
- Conecte la máquina de hielo a una fuente de suministro de agua potable solamente.

! PRECAUCIÓN

Para evitar daños en propiedad:

- Use tubería de cobre para la línea de suministro de agua. El uso de tubería de suministro de agua compuesta por plástico de 1/4" incrementa de manera considerable el potencial de fugas de agua. El fabricante no será responsable de daños si se usa tubería de plástico para la línea de suministro.
- NO instale tubería de suministro de agua en áreas en donde las temperaturas sean menores al punto de congelación.
- Los químicos de un descalcificador de agua averiado pueden dañar la máquina de hielo. Si conecta la máquina de hielo a una fuente de agua descalcificada, asegúrese de que el descalcificador reciba mantenimiento y funcione correctamente.

Se requieren los siguientes elementos para instalar el kit de máquina de hielo:

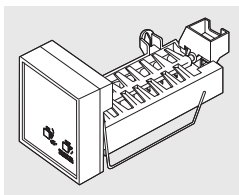
- Línea de suministro de cobre de 1/4" con válvula de cierre
- Tuerca de compresión y casquillo de bronce de 1/4"
- Repisa de congelador (algunos modelos no vienen equipados con la repisa). Si su modelo no tiene una, póngase en contacto con su concesionario para ordenarla.

La tubería de cobre y la válvula de cierre están disponibles en un kit de su ferretería o tienda de plomería local. Enrolle suficiente tubo en la parte trasera de la unidad para permitir su movimiento a la hora de limpiarla.

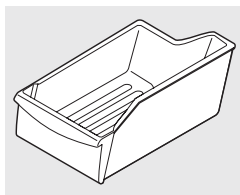
Herramientas necesarias:

- | | |
|-------------------------------------|---|
| • Espátula de plástico | • Destornillador Phillips™ |
| • Llave de tubo o de tuerca de 1/4" | • Pinzas de puntas |
| • Llave ajustable | • Taladro eléctrico con broca Phillips™ |
| • Cuchillo de cocina pequeño | |

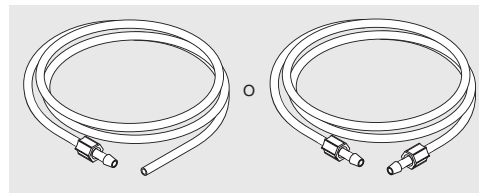
Componentes del kit de máquina de hielo (IM116000)



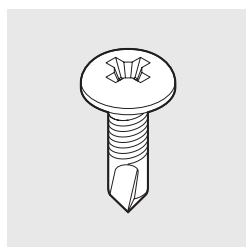
Máquina de hielo
Cant.: 1



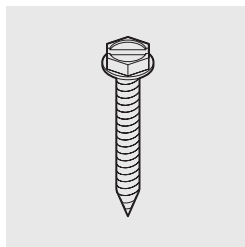
Contenedor de hielo
Cant.: 1



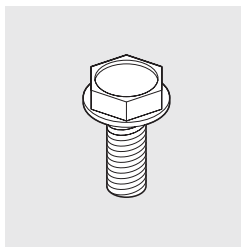
Tubería de suministro de agua de plástico
Cant.: 1



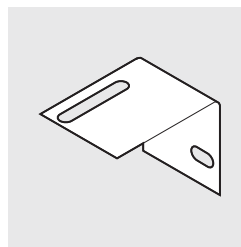
Tornillo autorroscante
Cant.: 2



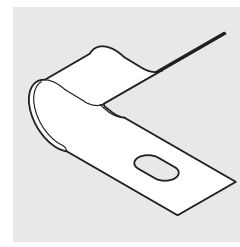
Tornillo de montaje largo
Cant.: 2



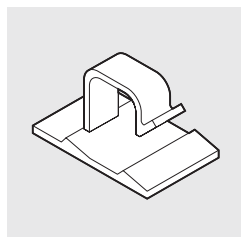
Tornillo de soporte de nivelación
Cant.: 1



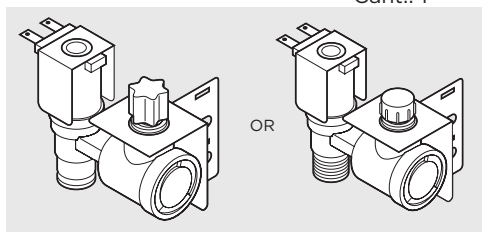
Soporte de nivelación
Cant.: 1



Abrazadera de acero
Cant.: 1



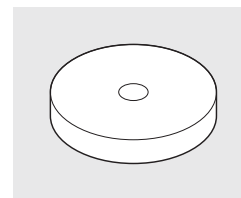
Abrazadera de plástico
Cant.: 2



Válvula de agua
Cant.: 1



Tubo de entrada de agua
Cant.: 1



Sello de tubo
Cant.: 1

Instrucciones de instalación de la máquina de hielo

1. Desconecte el refrigerador de la toma eléctrica.
2. Retire el estante de la bandeja de hielo del congelador (algunos modelos).
3. Quite el espaciador. Retire la repisa del congelador (algunos modelos) empujándola hacia la izquierda, hasta que el lado derecho de la repisa salga de los orificios. Después levante la repisa lentamente para liberarla de los orificios del lado derecho.

NOTA

En algunos modelos debe quitar 2 tapones de la pared izquierda del congelador. Estos orificios se usarán para montar la máquina de hielo. (El tubo de entrada de agua se insertará en un tapón en la pared posterior.)

4. Use una espátula de plástico para quitar los tapones del interior del compartimento del congelador. Vea la figura 1.
5. Quite la cubierta del conector del arnés, en donde se va a conectar la máquina de hielo; para ello retire el tornillo de cabeza hexagonal de 1/4". Vea la figura 1.

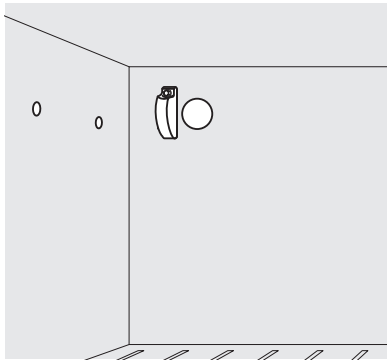


figura 1

6. Quite los tornillos que fijan la cubierta de acceso al gabinete (condensadores interiores solamente; vea la figura 2).

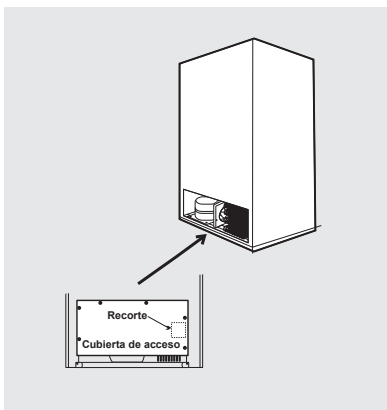


figura 2

7. Use un cuchillo de cocina pequeño para cortar las líneas punteadas en la etiqueta de instalación de la máquina de hielo que se encuentran en el panel trasero exterior del refrigerador en la esquina superior derecha. Vea la figura 3. Jale las aletas hacia adentro hasta que se peguen a la unidad.

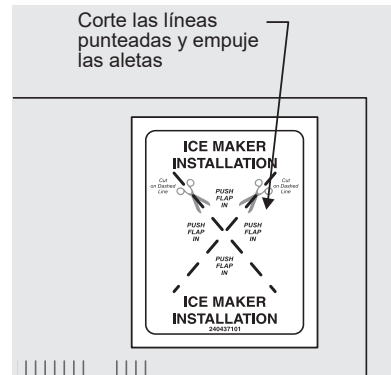


figura 3

8. Si es necesario, retire la espuma del interior del orificio de acceso con pinzas de punta.

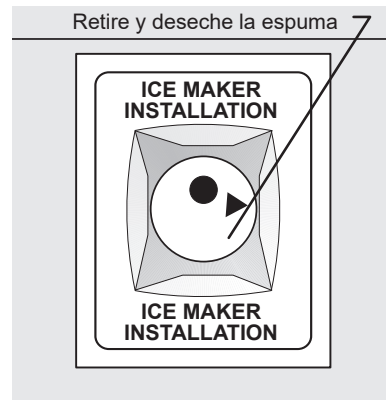


figura 4

9. Empuje el sello del tubo sobre las roscas (figura 5). Empuje el tubo de suministro de agua de plástico en el tubo de entrada de agua lo más adentro posible; después apriete con los dedos la tuerca de compresión de nylon en el extremo roscado del tubo de entrada. Apriete otra 1/2 vuelta con una llave. NO apriete excesivamente.

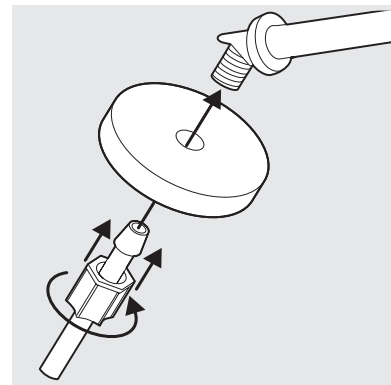


figura 5

Instrucciones de instalación de la máquina de hielo

10. Empuje el tubo de entrada de agua por el pequeño orificio en donde estaba la etiqueta de instalación (figura 6). Gire mientras inserta el tubo hasta que la superficie plana del tubo de entrada esté apretada firmemente contra la parte posterior del refrigerador.

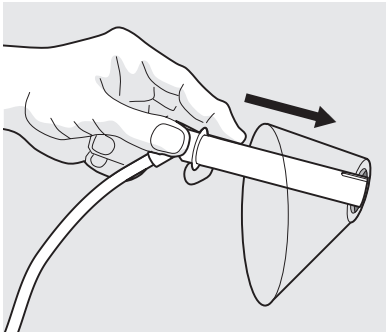


figura 6

11. Instale el soporte de nivelación ajustable en la parte inferior de la máquina de hielo con un tornillo (figura 7). Retire el tornillo de soporte de nivelación del cuerpo de la máquina de hielo e inserte el soporte entre el cuerpo de la máquina de hielo y la cubierta del calentador de plástico. Reinstale el tornillo de soporte de nivelación pero NO apriete el soporte en este punto. Se apretará posteriormente en este procedimiento.

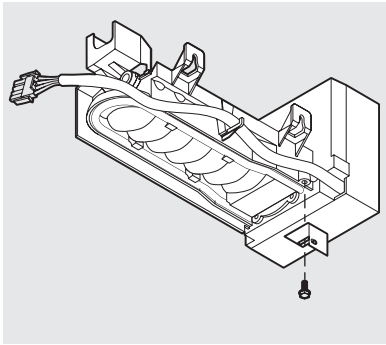


figura 7

12. Inserte 2 tornillos de montaje largos de la máquina de hielo en la pared del congelador en donde se quitaron los tapones en el paso 4. Gire cada tornillo en sentido de las manecillas del reloj 5 vueltas (figura 8).

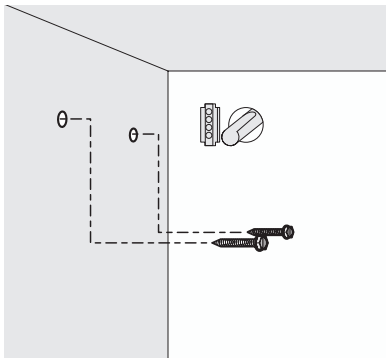


figura 8

13. Conecte el arnés de cableado en el conector montado en el panel posterior del congelador, justo a la izquierda de donde pasa el tubo de entrada de agua. El conector del arnés está enchavetado, por lo que solo entrará de una forma. A continuación, deslice la cubierta del conector de la máquina de hielo sobre el conector (vea la figura 9: presione en la parte superior, enganche en la parte inferior). Después podrá encajar a presión la cubierta del conector de la máquina de hielo en el panel posterior, o deslizar hacia arriba estrechamente en el panel posterior, dependiendo de la versión de panel posterior que usted tenga (vea la nota a continuación). Después, monte la máquina de hielo en los 2 tornillos de montaje que insertó antes en el paso 12. (Vea la figura 10.) Apriete los tornillos. Asegúrese de que el tubo de entrada de agua esté asentado en el interior del vaso de llenado.

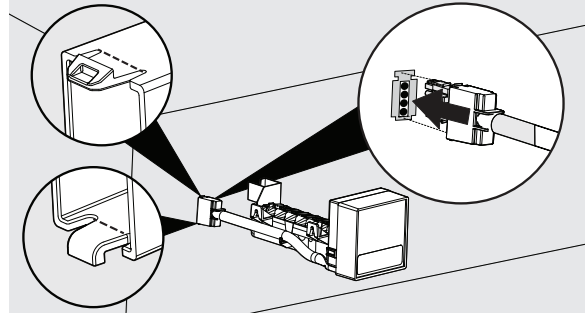
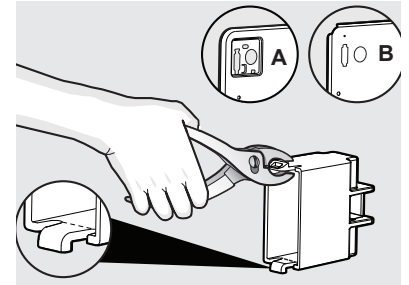


figura 9

NOTA

Si su cubierta posterior se ve como (A), proceda a instalar la máquina de hielo. Si su cubierta posterior se ve como (B), desprenda el conector de enganche a presión usando pinzas; después proceda a instalar la máquina de hielo.



NOTA

Use ambas manos para enganchar y asegurar la máquina de hielo a la pared del congelador. NO deje que la máquina de hielo quede suelta después de conectar el arnés de cableado al conector en la pared posterior del congelador.

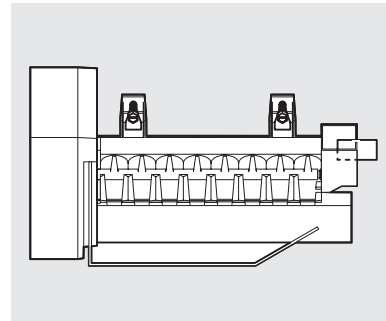


figura 10

Instrucciones de instalación de la máquina de hielo

- Ajuste el soporte de nivelación en la máquina de hielo. Si el hueco entre la pared del congelador y la máquina de hielo es igual arriba y abajo, entonces la máquina de hielo está nivelada. Apriete el tornillo del soporte de nivelación cuando esté nivelado.
- Reinstale la repisa del congelador en la posición inferior. Coloque el contenedor de hielo en la repisa.

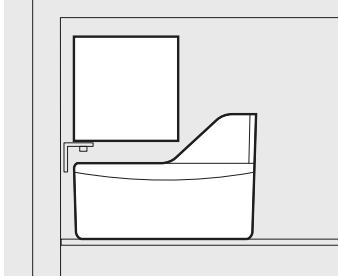


figura 11

- Conecte el arnés de cableado a la válvula de agua. Asegúrese de que la conexión esté apretada.

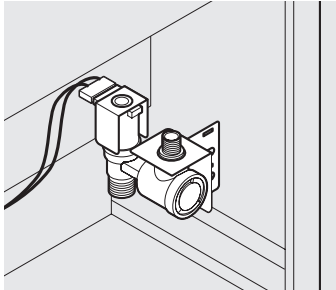


figura 12

NOTA

Si su refrigerador tiene un condensador interior, conecte el tubo de suministro de agua de plástico y el arnés de cableado a la válvula de agua antes de montar la válvula en el panel trasero debido a restricciones de espacio. Una vez montada la válvula, es muy difícil meter las manos ahí para realizar las conexiones necesarias. Adicionalmente, tal vez tenga que doblar el tubo de metal ligeramente para que la válvula de agua pueda caber. No tuerza la tubería.

- Puede usar 2 tipos de válvulas de agua con este kit. Siga las instrucciones que se apliquen al tipo de válvula que se suministra con su kit. Vea las figuras 13A y 13B.

Para las válvulas con una toma roscada (figura 13A), empuje el extremo en forma de bala del tubo verde hacia la válvula y apriete la tuerca de plástico (con los dedos). Luego apriete $\frac{1}{2}$ vuelta adicional con una llave. NO apriete excesivamente.

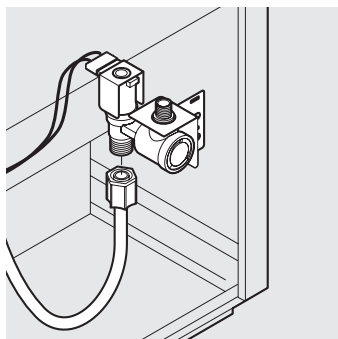


figura 13A

Para las válvulas con una conexión a presión sin roscas (figura 13B), revise la manguera verde para comprobar que tenga una pequeña marca negra cerca del extremo sin la punta formada ni la tuerca de plástico. Si no hay una marca, use una cinta de medición y un marcador para colocar una marca a $\frac{11}{16}$ " de distancia del extremo. La válvula sella contra la superficie exterior del tubo con una junta tórica, por lo que debe asegurarse de que el extremo del tubo esté limpio y sin rayaduras. Sujete el tubo justo por encima de la marca y empujelo firmemente hacia la válvula hasta que tope. Si se empuja a la profundidad correcta, la marca se alineará con el extremo de la junta de la válvula. Si la marca no está alineada con el extremo de la junta, el tubo no se empujó hasta el punto máximo. Para retirar el tubo, jálelo hacia dentro sobre el collarín en el extremo de la junta mientras tira del tubo.

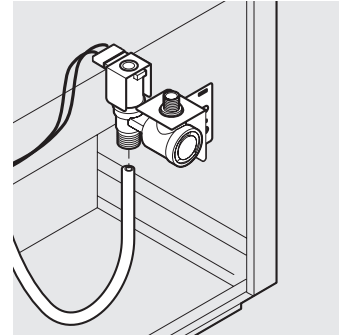


figura 13B

- Localice los orificios perforados de fábrica en la esquina inferior derecha del panel posterior. Alinee el soporte de la válvula de agua con los orificios perforados de fábrica. Tal vez tenga que doblar el tubo de metal un poco para hacerlo a un lado. Use un taladro eléctrico con una broca Phillips® para meter 2 tornillos autorroscantes a través del soporte y hacia el gabinete.

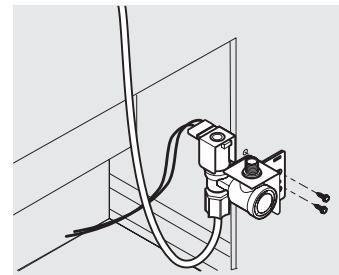
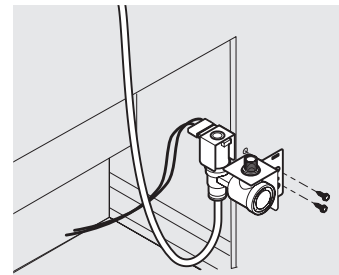


figura 14

NOTA

Limpie la parte posterior del gabinete con un limpiador doméstico comercial, amoníaco o alcohol antes de aplicar las abrazaderas de plástico al tubo de agua.

Instrucciones de instalación de la máquina de hielo

19. Asegure el tubo de agua de plástico en la parte posterior del gabinete con 2 abrazaderas de plástico.

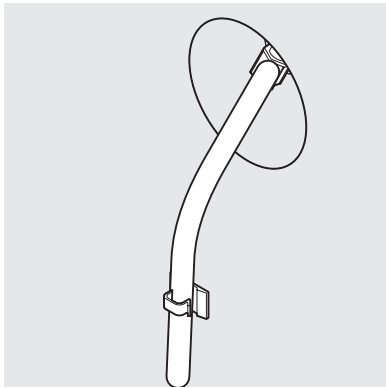


figura 15

20. Perfore el recorte en la cubierta de acceso para la válvula de agua (modelos con condensador interior solamente). Si su refrigerador tiene una cubierta de acceso metálica, tal vez tenga que usar pinzas para quitar el recorte.

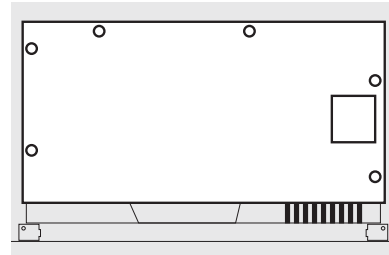


figura 16

21. Vuelva a montar la cubierta de acceso (modelos con condensador interior solamente) y el condensador si lo hizo a un lado debido a restricciones de espacio.

Conexión de la máquina de hielo al suministro de agua

ADVERTENCIA

Solo un técnico de servicio autorizado debe instalar el kit de máquina de hielo.

ADVERTENCIA

Para evitar una descarga eléctrica, que puede provocar la muerte o lesiones personales graves, desconecte el refrigerador de la fuente eléctrica antes de conectar una línea de suministro de agua al refrigerador.

IMPORTANTE

Asegúrese de que sus conexiones a la línea de suministro de agua cumplan con todos los códigos de plomería locales.

PRECAUCIÓN

Para evitar daños en propiedad:

- Recomendamos tubería trenzada de acero inoxidable o cobre para la línea de suministro de agua. No debe usar tubería de suministro de agua fabricada de plástico de 1/4". La tubería de plástico incrementa de manera considerable el potencial de fugas de agua; el fabricante no será responsable de daños si se usa tubería de plástico para la línea de suministro.
- **NO** instale la tubería de suministro de agua en áreas en donde las temperaturas sean menores al punto de congelación.
- Los químicos de un descalcificador averiado pueden dañar la máquina de hielo. Si la máquina de hielo está conectada a una fuente de agua calcificada, asegúrese de dar mantenimiento al descalcificador de modo que funcione correctamente.

Antes de instalar la línea de suministro de agua, necesitará:

Herramientas básicas: llave ajustable, llave hexagonal de 1/4" y destornillador Phillips™.

- Acceso a una línea de agua fría doméstica con una presión de agua entre 30 y 100 psi (2 y 6.9 bar).
- Una línea de suministro de agua fabricada de cobre o acero inoxidable trenzado de 1/4" (6.4 mm) o tubería de polilínea. Para determinar la longitud de tubería necesaria, mida la distancia de la válvula de entrada de la máquina de hielo en la parte posterior del refrigerador hasta su tubo de agua fría. Después agregue aproximadamente 7 pies (2.1 metros), de modo que se pueda mover el refrigerador para hacer limpieza.
- Una válvula de cierre para conectar la línea de suministro de agua a su sistema de agua doméstico.
- No reutilice la junta de compresión o use cinta para sellar roscas.
- Una tuerca de compresión y casquillo (manga) si usa una línea de suministro de agua de cobre hacia la válvula de entrada de la máquina de hielo.

NOTA

Consulte con su oficina de urbanismo local para las recomendaciones sobre líneas de agua y los materiales asociados antes de instalar su nuevo refrigerador. Dependiendo de sus códigos de edificación locales/estatales, Frigidaire recomienda a los hogares con válvulas existentes su kit de línea de agua **Smart Choice**® 5304490728 (con una línea de agua de acero inoxidable de 6 pies) o 5304493869 (con una línea de agua tipo polilínea de 6 pies) y, para los hogares sin una válvula existente, Frigidaire recomienda su kit de línea de agua **Smart Choice**® 5304490717 (con una línea de agua de cobre de 20 pies y válvula de asiento autorroscante). Consulte www.frigidaire.com si desea más información.

Conexión de la máquina de hielo al suministro de agua

Para conectar la línea de suministro de agua a la válvula de entrada de la máquina de hielo

1. Desconecte el refrigerador de la fuente de energía eléctrica.
2. Coloque el extremo de la línea de suministro de agua en un lavabo o una cubeta. ABRA la fuente de agua y lave la línea de suministro hasta que el agua sea transparente. CIERRE la fuente de agua en la válvula de cierre.
3. Retire la tapa de plástico de la entrada de la válvula de agua y deseche la tapa.
4. Si usa tubería de cobre: deslice la tuerca de compresión de bronce y luego el casquillo (manga) hacia la línea de suministro de agua. Empuje la línea de suministro de agua hacia la entrada de la válvula de agua lo más posible (1/4" / 6.4 mm). Deslice el casquillo (manga) en la entrada de la válvula y apriete con los dedos la tuerca de compresión en la válvula. Apriete otra media vuelta con una llave; NO apriete excesivamente. Vea la figura 17. Si usa tubería de acero inoxidable o de polilínea: la tuerca y el casquillo ya están montados en la tubería. Deslice la tuerca de compresión en la entrada de la válvula y apriete con los dedos la tuerca de compresión en la válvula. Apriete otra media vuelta con una llave; NO apriete excesivamente. Vea la figura 18.

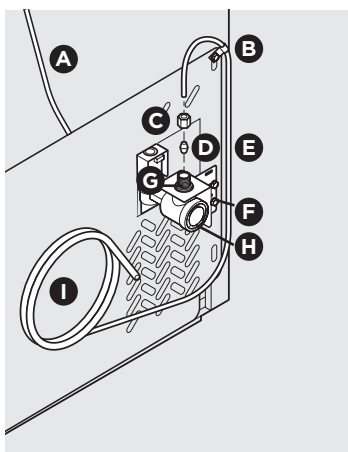


figura 17

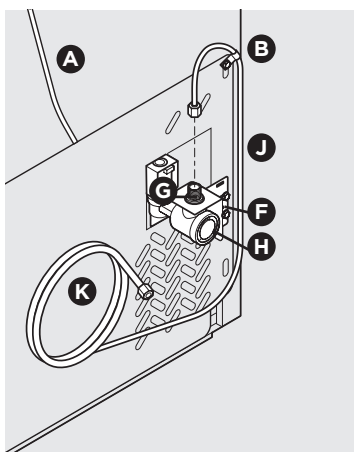


figura 18

A	Tubo de agua de plástico al tubo de llenado de la máquina de hielo
B	Abrazadera de acero
C	Tuerca de compresión de bronce
D	Casquillo (manga)
E	Línea de agua de cobre
F	Soporte de la válvula de agua
G	Entrada de la válvula
H	Válvula de agua
I	Línea de agua de cobre de la fuente doméstica
J	Línea de agua de acero inoxidable
K	6 pies Línea de agua de acero inoxidable del suministro doméstico

5. Conecte el arnés de cableado a la válvula de agua. Asegúrese de que la conexión sea firme. Vea la figura 19.

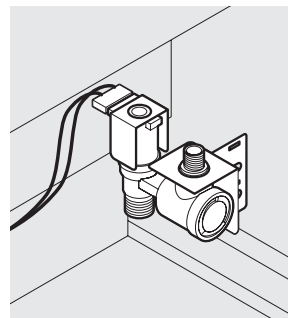


figura 19

➔ IMPORTANTE

Se requieren aproximadamente 24 horas para que la máquina de hielo comience a producir hielo. El aire en las líneas de plomería nuevas puede provocar que la máquina de hielo funcione en ciclo 2 o 3 veces antes de fabricar una bandeja completa de hielo. La tubería nueva puede provocar que el hielo sea descolorido o que tenga un mal sabor. Deseche el hielo fabricado durante las primeras 24 horas.

6. Con la abrazadera de acero y el tornillo, asegure la línea de suministro de agua (tubería de cobre solamente) al panel posterior del refrigerador, como se muestra en la figura 17.
7. Enrolle la línea de suministro de agua en exceso (tubería de cobre solamente), aproximadamente 2 1/2 vueltas, detrás del refrigerador como se indica en la figura 17; disponga el enrollado de modo que no vibre o se desgaste contra cualquier otra superficie.
8. ABRA el suministro de agua en la válvula de cierre y apriete las conexiones que tengan fuga.
9. Vuelva a conectar el refrigerador a la fuente de energía eléctrica.
10. Para encender la máquina de hielo, baje el brazo de señal de cable.

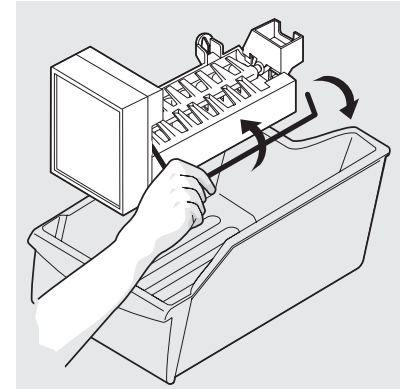
Sugerencias para la máquina de hielo automática

Recuerde que la calidad de agua determina la calidad de sus hielos. Si la fuente de agua usa un descalcificador, asegúrese de darle mantenimiento para que funcione correctamente. Los químicos de un descalcificador averiado pueden dañar la máquina de hielo.

Para detener la máquina de hielo, levante el brazo de señal de cable hasta que se escuche un chasquido y se bloquee en la posición "arriba" o APAGADO. La máquina de hielo se apaga automáticamente cuando el contenedor de hielos está lleno. Si su modelo cuenta con una repisa de congelador ajustable, coloque la repisa de modo que el brazo de señal de cable toque el hielo cuando el contenedor esté lleno.

Sugerencias para la máquina de hielo

- El hielo que se almacena por mucho tiempo puede desarrollar un sabor extraño. Vacíe el contenedor y asegúrese de que el brazo de señal de cable esté en su posición "abajo" o ENCENDIDO. La máquina comenzará a producir más hielo.
- Agite ocasionalmente el contenedor para mantener el hielo separado.
- Mantenga el brazo de señal de cable en su posición "arriba" o APAGADO hasta que el refrigerador esté conectado a la fuente de agua o cuando se apague esta.
- Los siguientes sonidos son normales cuando la máquina de hielo está funcionando:
 - Motor funcionando
 - Hielo soltándose de la bandeja
 - Hielo cayendo al contenedor
 - Agua corriente
 - Válvula de agua abriendo o cerrando



PRECAUCIÓN

No coloque el contenedor de hielo en su lavavajillas.

- Lave el contenedor de hielo en agua tibia con detergente suave. Enjuague bien y seque.
- Detenga la máquina de hielo cuando limpie el congelador o si sale de vacaciones por un periodo corto de tiempo.
- Si piensa apagar la máquina de hielo por un periodo de tiempo largo, gire la válvula de suministro de agua a la posición cerrada.

MACHINE À GLAÇONS AUTOMATIQUE

INSTRUCTIONS D'INSTALLATION

AVERTISSEMENT

L'ensemble de machine à glaçons ne devrait être installé que par un technicien de service autorisé.

AVERTISSEMENT

- Afin d'éviter une électrocution pouvant causer la mort ou de graves lésions corporelles, débranchez le réfrigérateur avant de raccorder la conduite d'alimentation en eau au réfrigérateur.
- Raccordez la machine à glaçons uniquement à une alimentation en eau potable.

Les articles suivants sont nécessaires pour l'installation de l'ensemble de machine à glaçons :

- conduite d'alimentation de ¼ po en cuivre avec robinet d'arrêt
- écrou à compression de ¼ po en laiton et virole
- tablette de congélateur (certains modèles ne sont pas dotés de la tablette). Si votre modèle n'en a pas, adressez-vous à votre détaillant pour en commander une.

Le tube en cuivre et le robinet d'arrêt sont disponibles dans un ensemble que vous pouvez vous procurer à la quincaillerie ou au magasin d'articles de plomberie de votre localité. Enroulez suffisamment de tube à l'arrière de l'appareil pour en permettre le déplacement pour le nettoyage.

ATTENTION

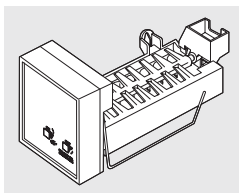
Pour éviter des dommages matériels :

- Utilisez des tubes en cuivre pour la conduite d'alimentation en eau. L'utilisation d'un tuyau d'alimentation en eau de ¼ po en plastique augmente grandement le risque de fuites d'eau. Le fabricant ne sera pas responsable des dommages encourus si des tubes en plastique sont utilisés pour la conduite d'alimentation.
- N'INSTALLEZ PAS de tuyau d'alimentation en eau dans un endroit exposé au gel.
- Les produits chimiques provenant d'un adoucisseur d'eau défectueux peuvent endommager la machine à glaçons. Si vous raccordez la machine à glaçons à de l'eau adoucie, assurez-vous que l'adoucisseur fait l'objet d'un entretien adéquat et qu'il fonctionne correctement.

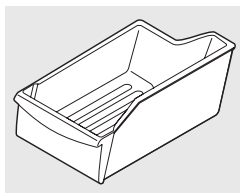
Outils nécessaires :

- | | |
|---|--|
| • Couteau à mastic en plastique | • Tournevis Phillips™ |
| • Clé à douille ou tourne-écrou de ¼ po | • Pince à bec aiguille |
| • Clé à molette | • Perceuse électrique avec mèche Phillips™ |
| • Petit couteau de cuisine | |

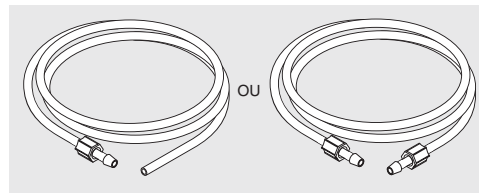
Composants de l'ensemble de machine à glaçons (IM116000)



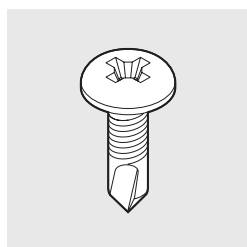
Machine à glaçons
Qté : 1



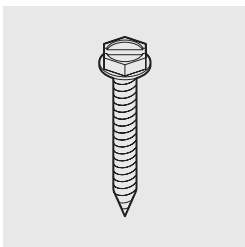
Bac à glaçons
Qté : 1



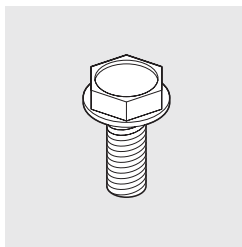
Tuyau d'alimentation en eau en plastique
Qté : 1



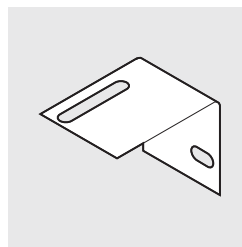
Vis autotaraudeuse
Qté : 2



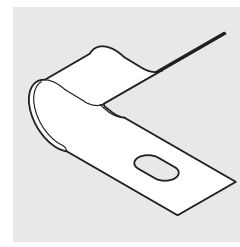
Vis de montage longue
Qté : 2



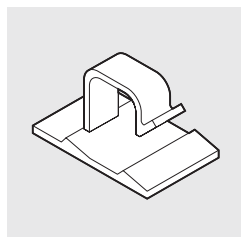
Vis de support de mise de niveau
Qté : 1



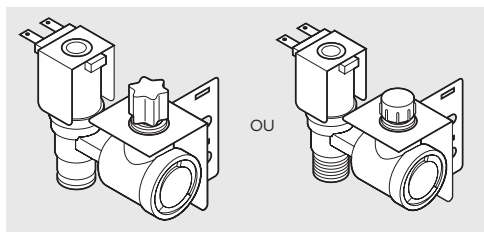
Support de mise de niveau
Qté : 1



Fixation en acier
Qté : 1



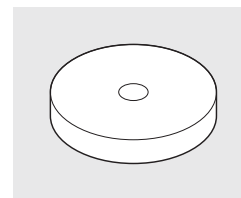
Fixation en plastique
Qté : 2



Robinet de prise d'eau
Qté : 1



Tube d'entrée d'eau
Qté : 1



Joint du tube
Qté : 1

Instructions d'installation pour la machine à glaçons

1. Débranchez le réfrigérateur de la prise de courant.
2. Retirez le support du bac à glaçons (certains modèles).
3. Retirez l'entretoise. Retirez la tablette du congélateur (certains modèles) en la poussant vers la gauche jusqu'à ce que son côté droit se dégage des trous. Soulevez ensuite lentement la tablette et tirez-la pour l'extraire des trous du côté droit.

REMARQUE

Sur certains modèles, il faut retirer 2 caches de la paroi gauche du congélateur. Ces trous serviront pour le montage de la machine à glaçons. (Le tube d'entrée d'eau sera inséré dans un cache sur la paroi arrière.)

4. Utilisez un couteau à mastic en plastique pour retirer les caches de l'intérieur du compartiment du congélateur. Voir la figure 1.
5. Retirez le couvre-connecteur du harnais, là où la machine à glaçons sera branchée, en retirant la vis hexagonale de ¼ po. Voir la figure 1.

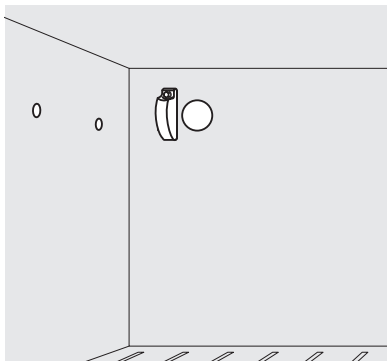


figure 1

6. Retirez les vis qui fixent le couvercle d'accès au cabinet (condenseurs intérieurs seulement – voir la figure 2).

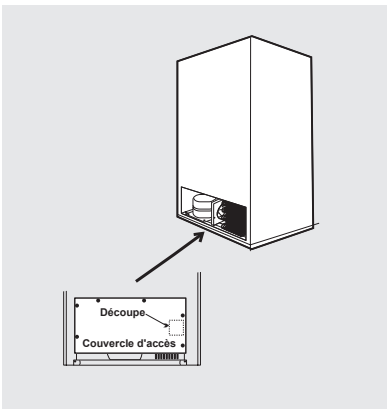


figure 2

7. Utilisez un petit couteau de cuisine pour couper le long des lignes pointillées sur l'étiquette d'installation de la machine à glaçons. Celle-ci se trouve sur le panneau arrière extérieur du réfrigérateur, dans le coin supérieur droit. Voir la figure 3. Poussez les languettes vers l'intérieur jusqu'à ce qu'elles adhèrent à l'appareil.

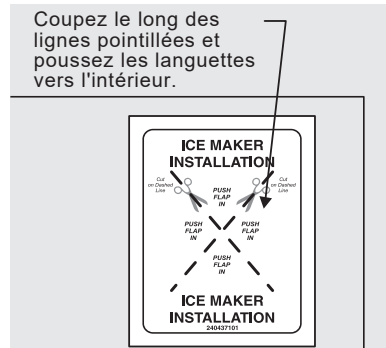


figure 3

8. Au besoin, servez-vous d'une pince à bec aiguille pour retirer la mousse du trou d'accès.

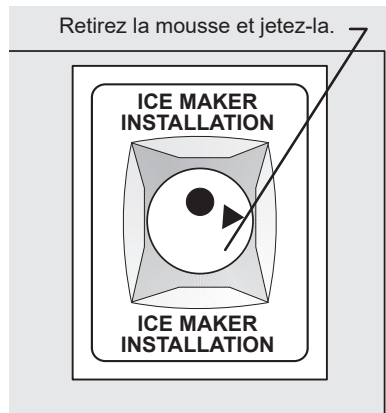


figure 4

9. Poussez le joint du tube sur le filetage (figure 5). Poussez la conduite d'alimentation en eau de plastique dans le tube d'entrée d'eau aussi loin que possible et serrez à la main l'écrou à compression en nylon dans l'extrémité fileté du tube d'entrée d'eau. Serrez d'encore ½ tour avec une clé. NE serrez PAS plus que nécessaire.

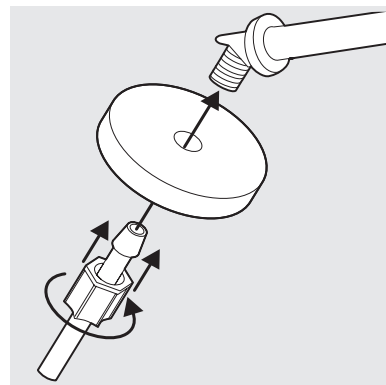


figure 5

Instructions d'installation pour la machine à glaçons

10. Poussez le tube d'entrée d'eau à travers le petit trou où se trouvait l'étiquette d'installation (figure 6). Insérez le tube tout en le tournant jusqu'à ce que la surface du tube d'entrée repose fermement contre l'arrière du réfrigérateur.

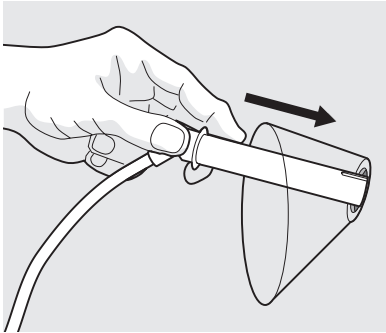


figure 6

11. Fixez le support de mise de niveau réglable sur le dessous de la machine à glaçons à l'aide d'une vis (figure 7). Retirez la vis du support de mise de niveau du corps de la machine à glaçons et insérez le support entre le corps de la machine à glaçons et le couvercle de plastique du réchauffeur. Remettez en place la vis du support de mise de niveau, mais NE serrez PAS le support à ce stade-ci. Il sera serré plus tard dans la procédure.

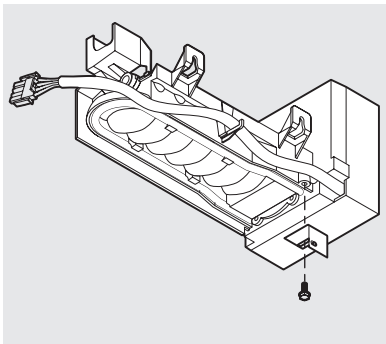


figure 7

12. Insérez les 2 vis de montage longues de la machine à glaçons dans la paroi du congélateur, à l'endroit où les caches ont été enlevés à l'étape 4. Tournez chaque vis de 5 tours dans le sens des aiguilles d'une montre (figure 8).

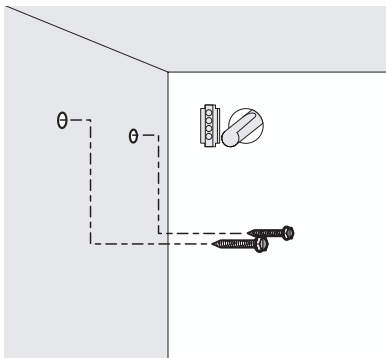


figure 8

13. Raccordez le faisceau de câblage au connecteur monté sur le panneau arrière du congélateur, juste à gauche de l'endroit où le tube d'entrée d'eau passe. Le connecteur du harnais ne peut être inséré que dans un sens. Ensuite, faites coulisser le couvre-connecteur de la machine à glaçons sur le connecteur (voir la figure 9 – agrafe en haut, crochet en bas). Le couvre-connecteur de la machine à glaçons peut alors, selon la version de votre panneau arrière, être enclenché en place dans le panneau arrière ou coulissé fermement jusqu'au panneau arrière (voir remarque ci-dessous). Fixez ensuite la machine à glaçons aux 2 vis de montage que vous avez insérées plus tôt, à l'étape 12. (Voir la figure 10.) Serrez les vis. Assurez-vous que le tube d'entrée d'eau est à l'intérieur de la coupe de remplissage.

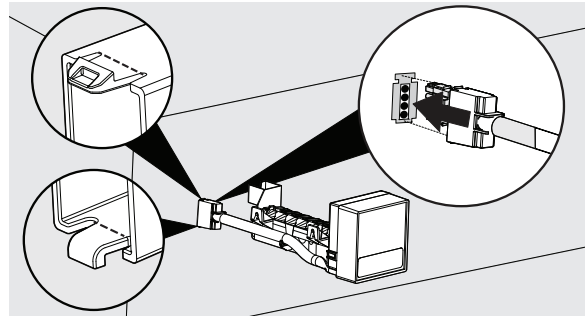


figure 9

REMARQUE

Si votre couvercle arrière est comme (A), procédez à l'installation de la machine à glaçons. Si votre couvercle arrière est comme (B), cassez l'agrafe et le crochet du couvre-connecteur à l'aide de pinces, puis procédez à l'installation de la machine à glaçons.

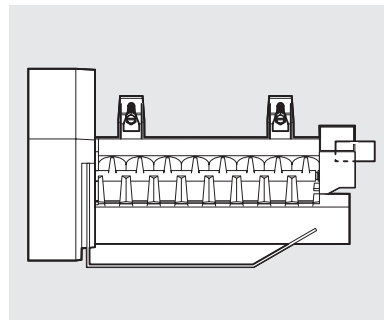
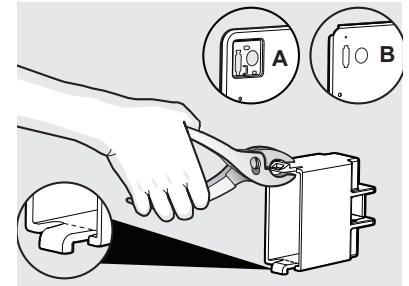


figure 10

REMARQUE

Utilisez vos deux mains pour accrocher et fixer la machine à glaçons à la paroi du congélateur. NE laissez PAS la machine à glaçons pendre librement une fois que vous avez raccordé le faisceau de câblage au connecteur de la paroi arrière du congélateur.

Instructions d'installation pour la machine à glaçons

- Ajustez le support de mise de niveau de la machine à glaçons. Si l'espace entre la paroi du congélateur et la machine à glaçons est la même en haut et en bas, la machine à glaçons est de niveau. Une fois de niveau, serrez la vis de support de mise de niveau.
- Remplacez la tablette de congélateur à la position du bas. Placez le bac à glaçons sur la tablette.

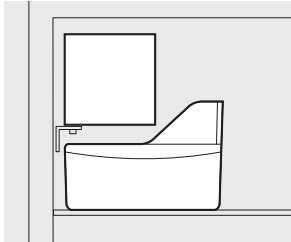


figure 11

- Raccordez le faisceau de câblage au robinet de prise d'eau. Assurez-vous que le raccordement est solide.

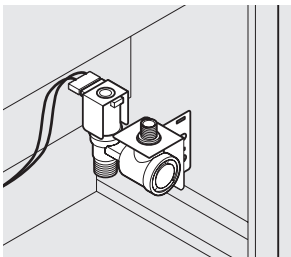


figure 12

REMARQUE

En raison de contraintes d'espace, si votre réfrigérateur a un condenseur intérieur, raccordez le tuyau d'alimentation en eau en plastique et le faisceau de câblage au robinet de prise d'eau avant de fixer le robinet au panneau arrière. Une fois le robinet fixé, il est très difficile d'insérer les mains à cet endroit pour effectuer les raccordements nécessaires. Vous pourriez de plus devoir replier le tube de métal légèrement pour l'écarter et faire de la place pour le robinet de prise d'eau. **NE** pliez **PAS** le tube.

- Deux types de robinet de prise d'eau peuvent être utilisés avec cet ensemble. Suivez les instructions qui s'appliquent au type de robinet inclus dans votre ensemble. Voir les figures 13A et 13B.

Pour les robinets à sortie fileté (figure 13A), poussez l'extrémité en forme d'ogive du tube vert dans le robinet et serrez le boulon en plastique (à la main). Serrez ensuite d'encore 1/2 tour avec une clé. **NE** serrez **PAS** plus que nécessaire.

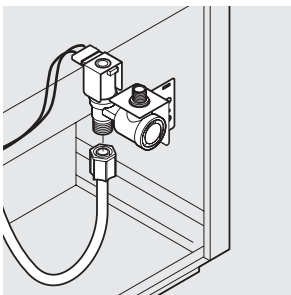


figure 13A

Pour les robinets sans filetage à connexion par poussée (figure 13B), vérifiez le boyau vert pour voir s'il comporte une petite marque noire près de l'extrémité sans embout formé et écrou en plastique. S'il n'y a pas de marque, servez-vous d'un ruban à mesurer et d'un marqueur pour faire une marque à 11/16 po de l'extrémité. Le robinet se scelle contre la surface extérieure du tube au moyen d'un joint torique, alors veillez à ce que l'extrémité du tube soit propre et sans rayures. Saisissez le tube juste au-dessus de la marque et poussez-le à fond dans le robinet. Une fois le tube à la bonne profondeur, la marque s'aligne avec l'extrémité du raccord du robinet. Si la marque n'est pas alignée avec l'extrémité du raccord, le tube n'est pas poussé à fond. Pour retirer le tube, poussez-le vers l'intérieur sur la bague à l'extrémité du raccord tout en tirant sur le tube.

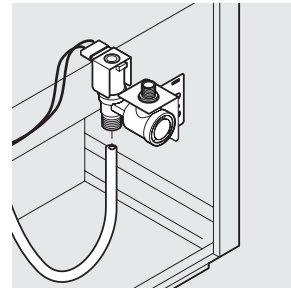


figure 13B

- Repérez les trous percés en usine dans le coin inférieur droit du panneau. Alignez le support du robinet de prise d'eau avec les trous percés en usine. Vous pourriez devoir replier le tube de métal légèrement pour l'écarter. Utilisez une perceuse électrique avec une mèche à tête Phillips® pour visser les 2 vis autotaraudeuses à travers le support et dans le cabinet.

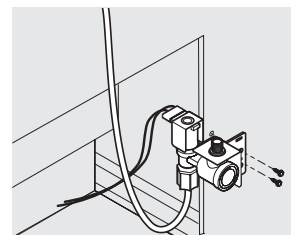
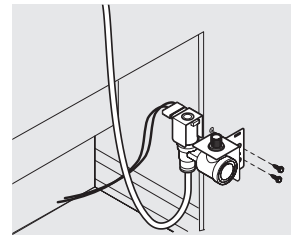


figure 14

REMARQUE

Nettoyez l'arrière du cabinet à l'aide d'un nettoyant ménager commercial, d'ammoniaque ou d'alcool avant d'apposer les fixations en plastique sur le tuyau d'eau.

Instructions d'installation pour la machine à glaçons

19. Fixez le tuyau d'eau en plastique à l'arrière du cabinet à l'aide de 2 fixations en plastique.

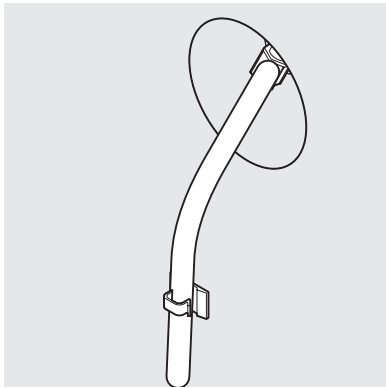


figure 15

20. Enlevez la découpe du couvercle d'accès en la frappant pour faire place au robinet de prise d'eau (modèles à condenseur intérieur seulement). Si votre réfrigérateur est doté d'un couvercle d'accès en métal, vous pourriez devoir utiliser des pinces pour retirer la découpe.

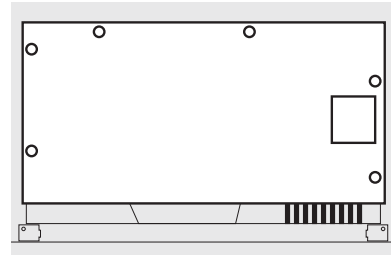


figure 16

21. Remettez en place le couvercle d'accès (modèles à condenseur intérieur seulement) et le condenseur si celui-ci a été extrait en raison de contraintes d'espace.

Raccordement de la machine à glaçons à l'alimentation en eau

⚠ AVERTISSEMENT

L'ensemble de machine à glaçons ne devrait être installé que par un technicien de service autorisé.

⚠ AVERTISSEMENT

Afin d'éviter une électrocution pouvant causer la mort ou de graves lésions corporelles, débranchez le réfrigérateur avant de raccorder la conduite d'alimentation en eau au réfrigérateur.

➔ IMPORTANT

Assurez-vous que les raccordements de la conduite d'alimentation en eau sont conformes aux codes de plomberie locaux.

⚠ ATTENTION

Pour éviter des dommages matériels :

- Nous recommandons un tube tressé en cuivre ou en acier inoxydable pour la conduite d'alimentation en eau. Vous ne devriez pas utiliser de tuyau d'alimentation en eau de 1/4 po en plastique. Les conduites en plastique augmentent grandement le risque de fuites d'eau et le fabricant ne sera pas tenu responsable des dommages causés dans le cas où un tuyau en plastique serait utilisé pour la conduite d'alimentation.
- **N'INSTALLEZ PAS** de tuyau d'alimentation en eau dans un endroit exposé au gel.
- Les produits chimiques provenant d'un adoucisseur d'eau défectueux peuvent endommager la machine à glaçons. Si la machine à glaçons est raccordée à de l'eau adoucie, veillez à l'entretien de l'adoucisseur afin qu'il fonctionne correctement.

Avant de raccorder la conduite d'alimentation en eau, vous aurez besoin de ce qui suit :

- Outils de base : clé à molette, tourne-écrou de 1/4 po et tournevis Phillips.
- L'accès à une conduite d'alimentation domestique en eau froide dont la pression se situe entre 2 et 6,9 bar (30 et 100 lb/po²).
 - Une conduite d'alimentation en eau consistant en un tuyau de 1/4 po (6,4 mm) en cuivre, en acier inoxydable tressé ou en laiton Polyline. Pour déterminer la longueur de tuyau requise, mesurez la distance entre le robinet d'entrée de la machine à glaçons à l'arrière du réfrigérateur et votre tuyau d'eau froide. Ajoutez ensuite 2,1 m (7 pi) pour que le réfrigérateur puisse être déplacé pour le nettoyage.
 - Un robinet d'arrêt pour raccorder la conduite d'alimentation en eau à votre réseau d'alimentation en eau domestique.
 - Ne réutilisez pas la bague à compression et n'utilisez pas de ruban d'étanchéité pour joints filetés.
 - Un écrou à compression et une virole (manchon) pour raccorder la conduite d'alimentation en eau en cuivre au robinet d'entrée de la machine à glaçons.

📌 REMARQUE

Adressez-vous aux autorités de construction locales pour obtenir des recommandations quant aux conduites d'eau et matériaux connexes avant d'installer votre nouveau réfrigérateur. Selon les codes de construction locaux/provinciaux, Frigidaire recommande, pour les maisons où il y a déjà un robinet, sa trousse de conduite d'eau **Smart Choice**® 5304490728 avec conduite d'eau en acier inoxydable de 1,8 mètre (6 pi) ou 5304493869 avec conduite d'eau en laiton Polyline de 1,8 mètre (6 pi). Pour les maisons sans robinet, Frigidaire recommande sa trousse de conduite d'eau **Smart Choice**® 5304490717 avec conduite d'eau en cuivre de 6 mètres (20 pi) comportant un robinet-vanne à étrier autoperceur. Veuillez consulter le site www.frigidaire.com pour de plus amples renseignements.

Raccordement de la machine à glaçons à l'alimentation en eau

Pour raccorder la conduite d'alimentation en eau au robinet d'entrée de la machine à glaçons

1. Débranchez le réfrigérateur de sa source d'alimentation électrique.
2. Placez l'extrémité de la conduite d'alimentation en eau dans un évier ou dans un seau. Ouvrez l'alimentation en eau et vidangez la conduite d'alimentation jusqu'à ce que l'eau soit claire. Fermez l'alimentation en eau au niveau du robinet d'arrêt.
3. Enlevez le capuchon en plastique de l'entrée du robinet de prise d'eau et jetez le capuchon.
4. Si vous utilisez des tubes en cuivre : faites coulisser l'écrou de compression en laiton puis la virole (manchon) sur la conduite d'alimentation en eau. Poussez la conduite d'alimentation en eau dans l'entrée du robinet de prise d'eau aussi loin que possible (6,4 mm / ¼ po). Faites coulisser la virole (manchon) dans l'entrée du robinet et serrez l'écrou de compression à la main sur le robinet. Serrez d'un autre demi-tour avec une clé. NE serrez PAS trop fort. Voir la figure 17. Si vous utilisez des tubes en acier inoxydable ou en laiton Polyline : l'écrou et la virole sont déjà assemblés sur le tube. Glissez l'écrou de compression sur le robinet d'entrée et serrez l'écrou à la main sur le robinet. Serrez d'un autre demi-tour avec une clé. NE serrez PAS trop fort. Voir la figure 18.

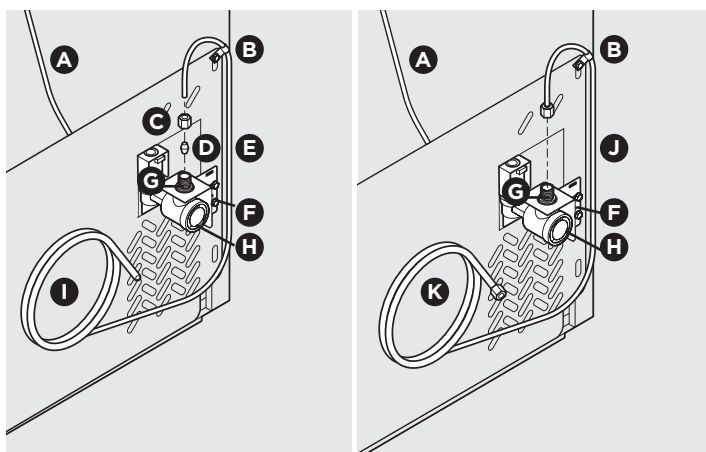


figure 17

figure 18

A	Tube en plastique relié au tube de remplissage du bac à glaçons
B	Fixation en acier
C	Écrou à compression en laiton
D	Virole (manchon)
E	Conduite d'eau en cuivre
F	Support du robinet de prise d'eau
G	Entrée du robinet
H	Robinet de prise d'eau
I	Conduite d'eau en cuivre reliée au système d'alimentation domestique
J	Conduite d'eau en acier inoxydable
K	Conduite d'eau en acier inoxydable de 1,8 mètre (6 pi) reliée au système d'alimentation domestique

5. Raccordez le faisceau de câblage au robinet de prise d'eau. Assurez-vous que le raccordement est solide. Voir la figure 19.

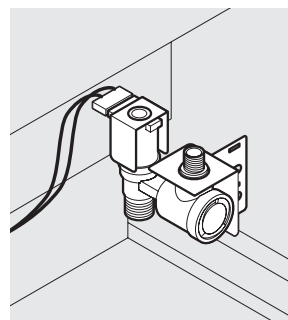


figure 19

→ IMPORTANT

La machine prend environ 24 heures avant de produire des glaçons. En raison de la présence d'air dans la tuyauterie neuve, la machine à glaçons peut nécessiter 2 ou 3 cycles avant de produire un bac à glaçons complet. La couleur et le goût des glaçons peuvent être altérés par l'utilisation de tuyauterie neuve. Jetez les glaçons produits durant les premières 24 heures.

6. À l'aide d'un serre-joint et d'une vis, fixez la conduite d'alimentation en eau (tube en cuivre seulement) au panneau arrière du réfrigérateur, comme le montre la figure 17.
7. Enroulez le surplus de conduite d'alimentation (tuyau en cuivre seulement) sur environ deux tours et demi à l'arrière du réfrigérateur comme le montre la figure 17. Disposez ensuite les serpentins de façon à ce qu'ils ne vibrent pas et ne s'usent pas contre une autre surface.
8. Ouvrez l'alimentation en eau au niveau du robinet d'arrêt et serrez tous les raccords qui fuient.
9. Rebranchez le réfrigérateur à sa source de courant électrique.
10. Pour allumer la machine à glaçons, abaissez le levier de signal à fil.

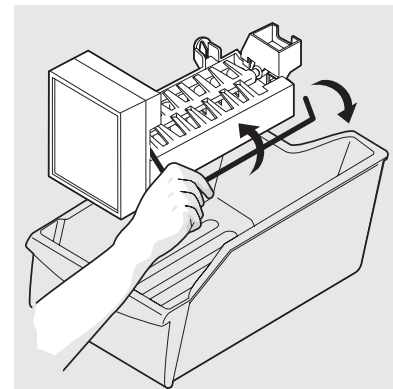
Conseils pour la machine à glaçons automatique

N'oubliez pas que c'est la qualité de l'eau qui détermine la qualité de votre glace. Si la source d'approvisionnement en eau utilise un adoucisseur d'eau, veillez à l'entretien de l'adoucisseur afin qu'il fonctionne correctement. Les produits chimiques provenant d'un adoucisseur d'eau défectueux peuvent endommager la machine à glaçons.

Pour éteindre la machine à glaçons, relevez le levier de signal à fil jusqu'à ce qu'il s'enclenche en position d'arrêt (OFF). La machine à glaçons s'arrête automatiquement quand le bac à glaçons est plein. Si votre modèle est doté d'une tablette de congélateur, placez celle-ci de façon à ce que le levier de signal à fil touche la glace lorsque le bac à glaçons est plein.

Conseils pour la machine à glaçons

- Les glaçons laissés trop longtemps dans le bac peuvent développer un goût douteux. Videz le bac et assurez-vous que le levier de signal à fil est abaissé ou en position de marche (ON). La machine à glaçons produira ainsi plus de glaçons.
- Secouez le bac de temps à autre pour séparer les glaçons.
- Gardez le levier de signal à fil relevé, ou en position OFF, jusqu'à ce que le réfrigérateur soit raccordé à l'alimentation en eau ou lorsque l'alimentation est hors fonction.
- Les bruits suivants sont normaux lorsque la machine à glaçons est en fonction : - Moteur qui fonctionne - Glaçons qui se détachent du plateau - Glaçons qui tombent dans le bac - Eau qui coule - Robinet de prise d'eau qui s'ouvre ou se ferme
 - Moteur qui fonctionne
 - Glaçons qui se détachent du plateau
 - Glaçons qui tombent dans le bac
 - Eau qui coule
 - Robinet de prise d'eau qui s'ouvre ou se ferme



ATTENTION

Ne lavez pas le bac à glaçons au lave-vaisselle.

- Pour laver le bac à glaçons, utilisez de l'eau chaude et un détergent doux. Rincez bien et séchez.
- Arrêtez la machine à glaçons pour le nettoyage du congélateur ou pour de courtes vacances.
- Si vous prévoyez laisser la machine à glaçons éteinte pour une durée prolongée, fermez le robinet d'alimentation en eau.

