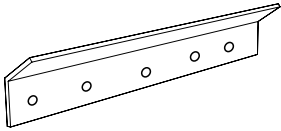


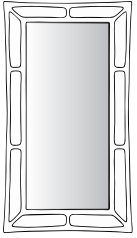


UTTERMOST

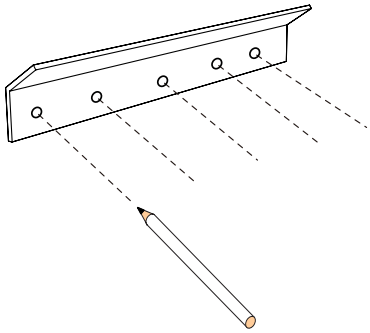
ASSEMBLY INSTRUCTIONS

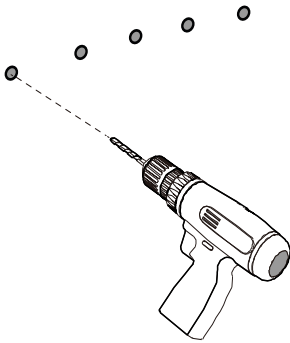
Item # 08186

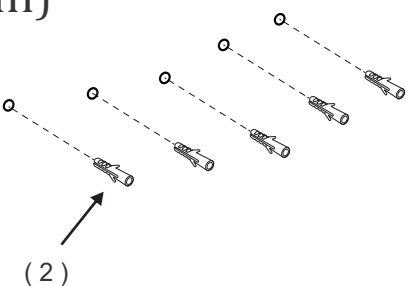
PARTS LIST

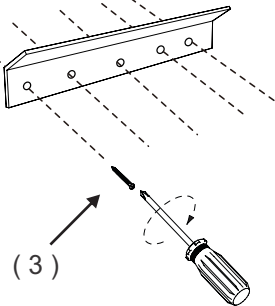
(1)	(2)	(3)	(4)
			
x1	x5	x5	x1

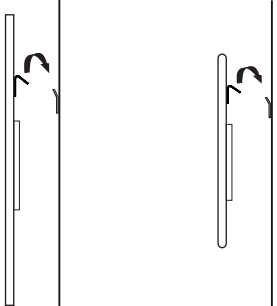
ASSEMBLY INSTRUCTIONS

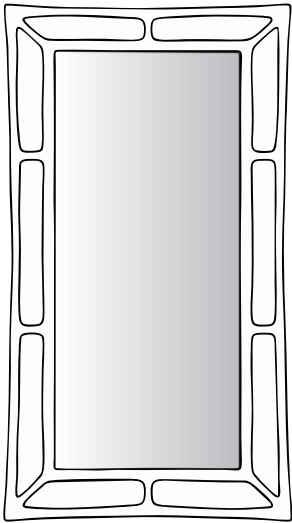
(I)  (1)

(II)  (II)

(III)  (2)

(IV)  (3)

(V)  (V)

(VI)  (VI)