

April 27 - May 31

UPGRADE YOUR DRYER. ELEVATE YOUR LAUNDRY.

\$100 Rebate
White DR7



\$150 Rebate
Matte Black DR7

RECEIVE A DIGITAL OR PHYSICAL
SPEED QUEEN® PREPAID MASTERCARD®
VIA ONLINE REBATE WITH THE
PURCHASE OF ELIGIBLE PRODUCT(S)*

*Rebate available with the purchase of select Speed Queen dryers between April 27, 2026 and May 31, 2026 ("rebate period") from an authorized Speed Queen retailer. All rebate claims for the above time period must be submitted no later than July 1, 2026. Late submissions will not be accepted. Any submissions that require correction or further information must be completed by August 31, 2026. Only one eligible machine is permitted. Limit one rebate per household. Rebate must be redeemed for residential use only.

The amount awarded upon completion of your approved rebate claim is dependent on products purchased. A \$100 or \$150 Prepaid Mastercard is available for the purchase of the below Speed Queen models (page 2).

ELIGIBLE MODELS

Dryers

- DR7004WE
- DR7004WG
- DR7004BE
- DR7004BG

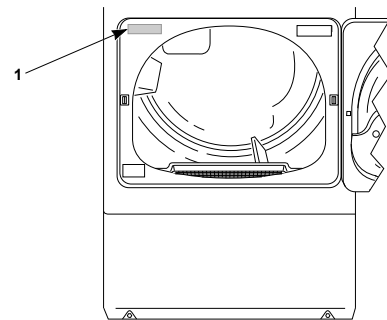
Substitutions are not eligible.

HOW TO RECEIVE YOUR SPEED QUEEN PREPAID MASTERCARD:

- 1 Visit SpeedQueenPromotions.com. You will need:
 - Valid email address
 - Clear copy of your original invoice (photo or PDF) with all of the corners of the page showing
 - Proof of Purchase: Complete payment, purchase date, model number(s), retailer name and address
 - A valid serial number is required to complete your rebate
- 2 Rebate claims must be submitted online no later than July 1, 2026; late submissions will not be accepted.
- 3 Retain a copy of your submitted claim for your records.

HOW TO IDENTIFY YOUR SPEED QUEEN SERIAL NUMBER

- 1 Open the door of your dryer.
- 2 The Model and Serial Numbers are located on the serial plate. The serial plate will be in the location shown in the image to the right.
- 3 For help or assistance, Customer Care is staffed Monday to Friday from 9am – 9pm ET and Saturday from 9am – 5pm. The email and contact information below will be included in the user guide provided to you:
 - Email: speedqueenpromotions@email-360insights.com
 - Phone: 1-833-215-8217



1. Serial Plate

Use your card anywhere Mastercard is accepted. This card is issued by The Bancorp Bank, N.A., pursuant to license by Mastercard International Incorporated. Mastercard and the circles design are registered trademarks of Mastercard International Incorporated. The Bancorp Bank, N.A.; Member FDIC. This is not a gift card. This card is issued for loyalty, award or promotional purposes.